



KL SPOT IP

Photometric &
Chromaticity Test Reports



CONTENTS

Testing Procedures.....	5
Photometric Output Reports	
50° Beam Angle	6
Full Output	6
2700K	8
3200K.....	9
4500K.....	10
5600K.....	11
6000K.....	12
6500K.....	13
36° Beam Angle	14
Full Output	14
2700K	16
3200K.....	17
4500K.....	18
5600K.....	19
6000K.....	20
6500K.....	21
26° Beam Angle	22
Full Output	22
2700K	24
3200K.....	25
4500K.....	26
5600K.....	27
6000K.....	28
6500K.....	29
19° Beam Angle	30
Full Output	30
2700K	32
3200K.....	33
4500K.....	34

19° Beam Angle (Cont.)	
5600K.....	35
6000K.....	36
6500K.....	37
14° Beam Angle	38
Full Output	38
2700K	40
3200K.....	41
4500K.....	42
5600K.....	43
6000K.....	44
6500K.....	45
10° Beam Angle	46
Full Output	46
2700K	48
3200K.....	49
4500K.....	50
5600K.....	51
6000K.....	52
6500K.....	53
6.6° Beam Angle	54
Full Output	54
2700K	56
3200K.....	57
4500K.....	58
5600K.....	59
6000K.....	60
6500K.....	61

Color Quality Reports	62
Full Output	62
2700K	64
3200K	66
4500K	68
5600K	70
6000K	72
6500K	74
LED Color Information Reports	76
RED	76
GREEN	77
BLUE	78
MINT	79
AMBER.....	80

©2023 **ELATION PROFESSIONAL** all rights reserved. Information, specifications, diagrams, images, and instructions herein are subject to change without notice. ELATION PROFESSIONAL logo and identifying product names and numbers herein are trademarks of ELATION PROFESSIONAL. Copyright protection claimed includes all forms and matters of copyrightable materials and information now allowed by statutory or judicial law or hereinafter granted. Product names used in this document may be trademarks or registered trademarks of their respective companies and are hereby acknowledged. All non-ELATION brands and product names are trademarks or registered trademarks of their respective companies.

Elation Professional USA | 6122 S. Eastern Ave. | Los Angeles, CA. 90040

323-582-3322 | 323-832-9142 fax | www.elationlighting.com | info@elationlighting.com

Elation Professional B.V. | Junostraat 2 | 6468 EW Kerkrade, The Netherlands

+31 45 546 85 66 | +31 45 546 85 96 fax | www.elationlighting.eu | info@elationlighting.eu

Elation Professional Mexico | AV Santa Ana 30 | Parque Industrial Lerma, Lerma, Mexico 52000

+52 (728) 282-7070

Testing Process

Total Lumen Measurements

Lumens are measured using a Viso Systems Lab Spion. As a goniophotometer, the Viso calculates the field lumens of the fixture by taking multiple measurements across the light beam.

Many lumens figures provided for entertainment lighting fixtures are only 2π sphere values, some even emphasize the LED engine lumens. All Elation product photometric data is the actual light output from the fixture lens, never a theoretical value based on calculation or using the source lumens as the fixtures output. We advise to always compare total fixture lumens acquired with identical measurement systems when comparing lighting fixtures.

Test Lab Equipment and Process

Elation operates an optical testing laboratory at its Los Angeles, CA headquarters to provide accurate photometric data for its lighting products. The testing lab is both light and climate- controlled and contains a variety of precise lighting measurement systems. Fixtures are analyzed with the sophisticated [Viso Systems Lab Spion](#) equipment, which measures all light and color parameters by panning the light beam at a precise speed and from different angles through a calibrated, laser aligned light and color sensor. Test data is collected and summarized by the Viso Light Inspector software. This type of measurement system is referred to as a Goniophotometer.

The Viso software calculates all relevant types of measurements, from beam angles, candela to center light intensity at a variety of distances to the latest color quality measurements like TM30 or CQS as well as accurate color temperature. This wealth of data is then processed by an Elation specific template which is included in the photometric test report for various fixture conditions such as zoom angles and color correction filters.

The Viso software also creates IES (Illuminating Engineering Society) files for each test report. IES is an industry standard file format created for the easy electronic transfer of photometric test data, which is widely used by lighting manufacturers for photometric data distribution.

Additionally, fixtures are periodically rechecked for accuracy using various hand-held light meters including one or more of the devices listed below. This is done to ensure the test data contained in this report is as accurate as possible.

[Asenstek Lighting Passport](#) | [Konica Minolta T-10](#) | [Sekonic C800U](#)

Key Measurements

Output

Total Lumen Output: 11744 lm
Peak Intensity: 22865 cd

Beam

Beam Angle (50%): 46.7°
Field Angle (10%): 50.3°
Cutoff Angle (2.5%): 51.9°

Color

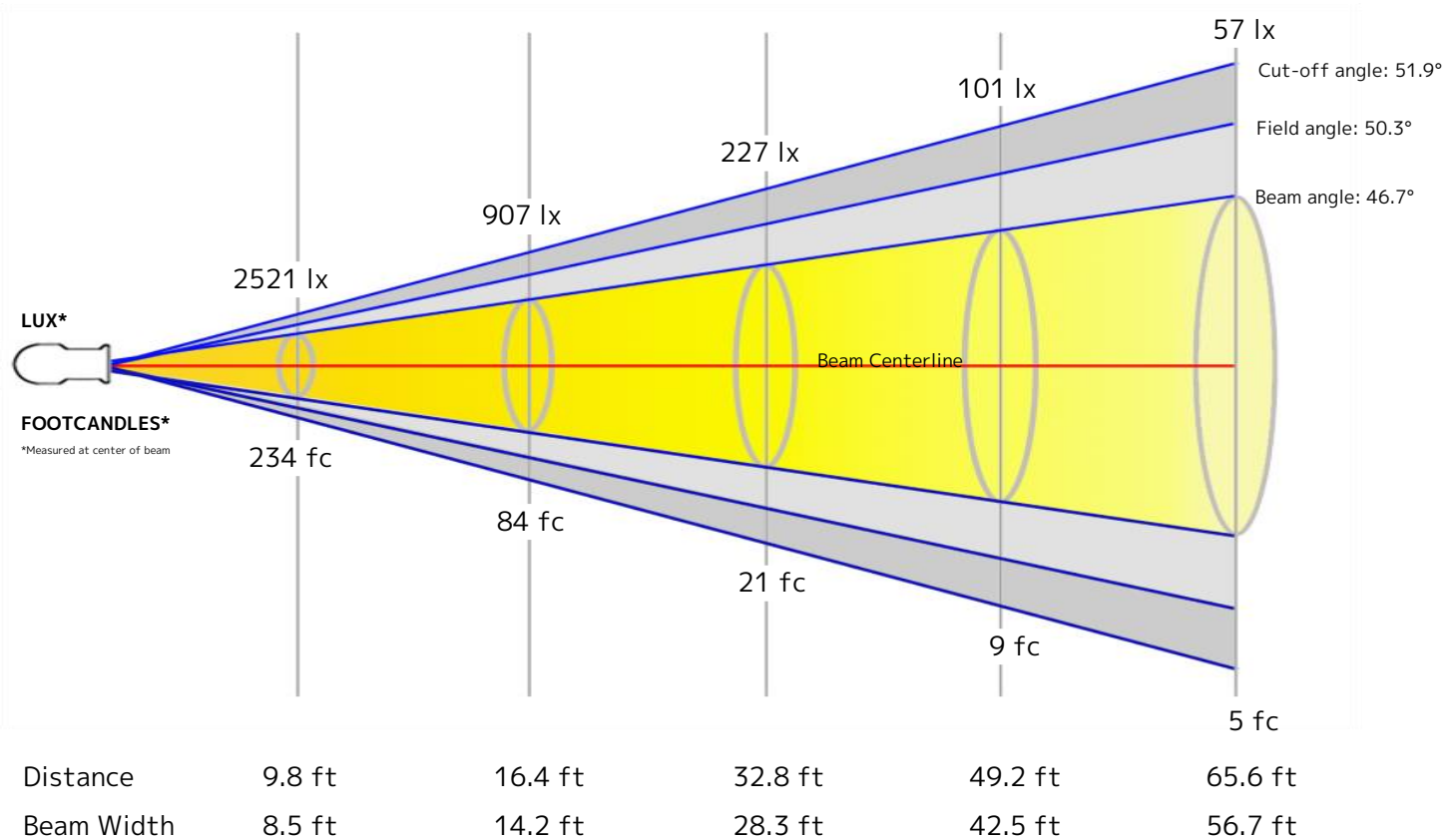
Color Temperature: 5673 K
CRI: 89.0
TLCI: 91
TM30 R_F: 89.0
TM30 R_g: 101.2

Power Details

Efficacy: 32 Lumen/Watt
Power: 363 W
Supply Voltage: 119 V
Current: - A

Beam Details

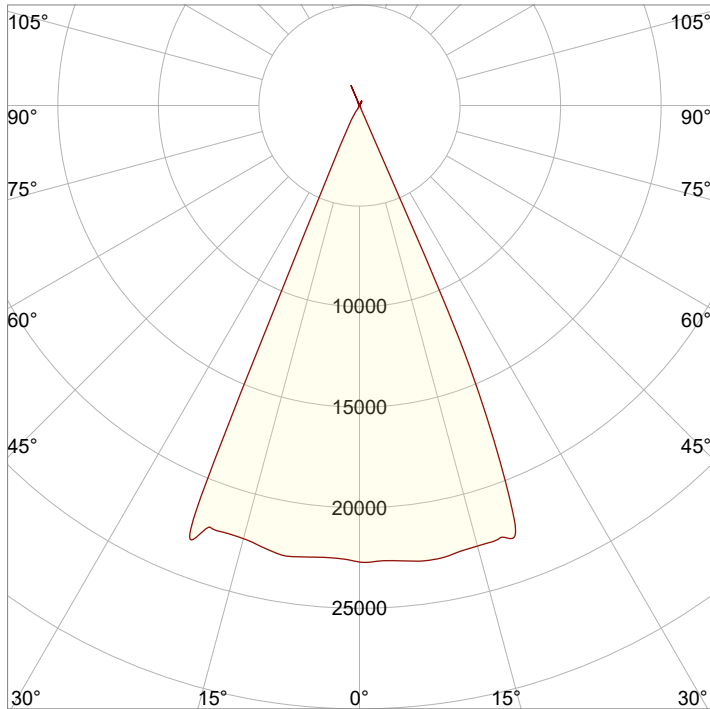
Distance	3 m	5 m	10 m	15 m	20 m
Beam Width	2.6 m	4.3 m	8.6 m	13 m	17.3 m



Beam Intensities from 1-20m

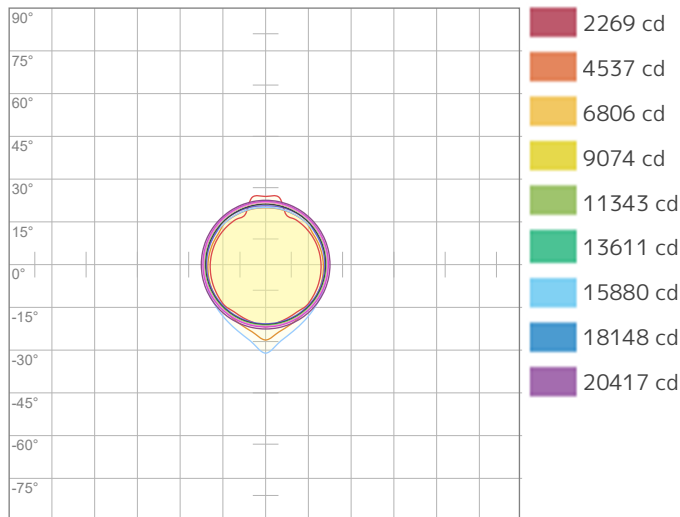
M	1	2	3	4	5	6	7	8	9	10	11	12	13	14	15	16	17	18	19	20
LX	22686	5671	2521	1418	907	630	463	354	280	227	187	158	134	116	101	89	78	70	63	57
FT	3.3	6.6	9.8	13.1	16.4	19.7	23	26.2	29.5	32.8	36.1	39.4	42.7	45.9	49.2	52.5	55.8	59.1	62.3	65.6
FC	2107.6	526.9	234.2	131.7	84.3	58.5	43	32.9	26	21.1	17.4	14.6	12.5	10.8	9.4	8.2	7.3	6.5	5.8	5.3

Angular Distribution

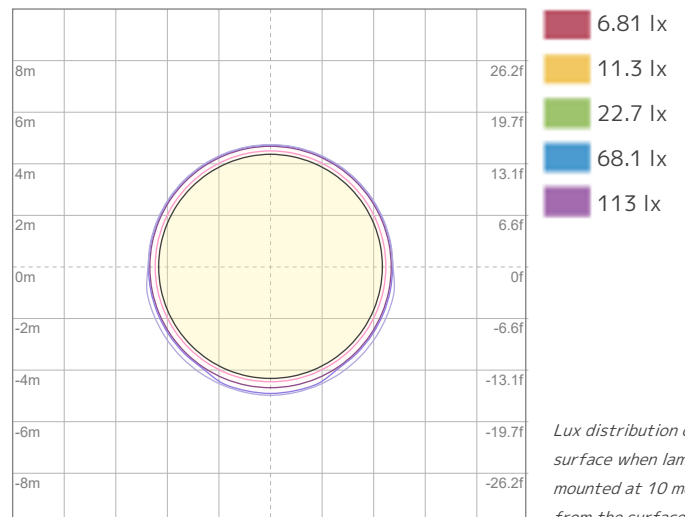


Beam Angle - 50%
46.7°
Field Angle - 10%
50.3°
Cutoff Angle - 2.5%
51.9°

ISO Diagrams



ISO Candela Diagram



ISO LUX Diagram

Lux distribution on a surface when lamp is mounted at 10 meters from the surface.

Conditions:

Number of c-planes: 2

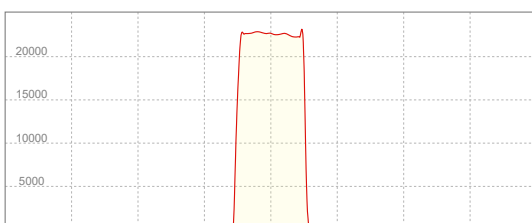
Candela at center: 22686 cd

Conditions:

Number of c-planes: 2

LUX at center: 227 lx

Linear Distribution



Peak Candela
22865 cd

Calculate Center Beam Intensities

$$\text{lux} = 22865 / \text{distance(m)}^2$$

$$\text{fc} = 22865 / \text{distance(ft)}^2$$

Key Measurements

Output

Total Lumen Output: 6778 lm
Peak Intensity: 13341 cd

Beam

Beam Angle (50%): 46.3°
Field Angle (10%): 51.1°
Cutoff Angle (2.5%): 52.1°

Color

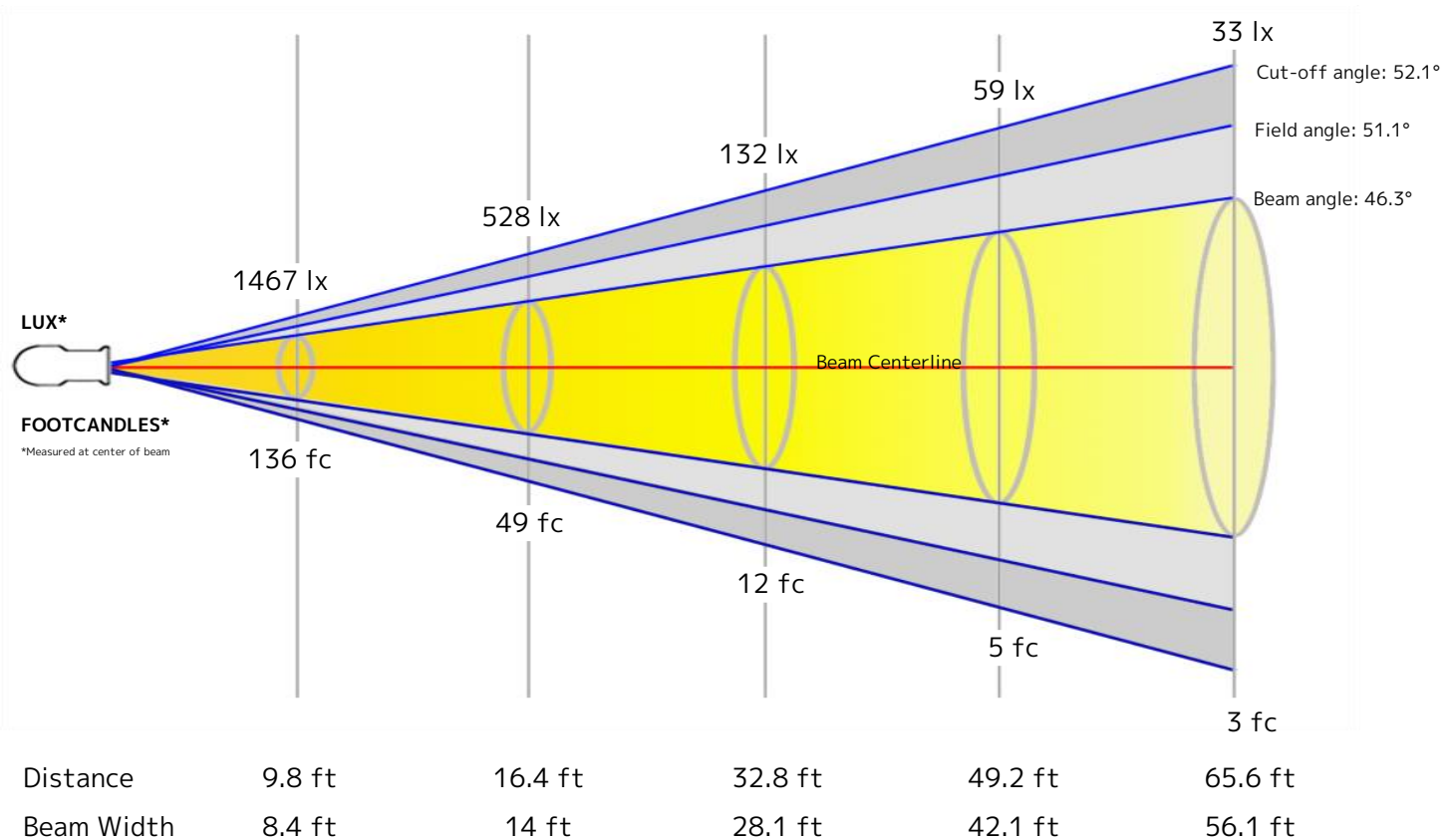
Color Temperature: 2660 K
CRI: 93.4
TLCI: 87
TM30 R_F: 93.9
TM30 R_g: 103.6

Power Details

Efficacy: 29 Lumen/Watt
Power: 235 W
Supply Voltage: 119 V
Current: - A

Beam Details

Distance	3 m	5 m	10 m	15 m	20 m
Beam Width	2.6 m	4.3 m	8.6 m	12.8 m	17.1 m



Beam Intensities from 1-20m

M	1	2	3	4	5	6	7	8	9	10	11	12	13	14	15	16	17	18	19	20
LX	13202	3301	1467	825	528	367	269	206	163	132	109	92	78	67	59	52	46	41	37	33
FT	3.3	6.6	9.8	13.1	16.4	19.7	23	26.2	29.5	32.8	36.1	39.4	42.7	45.9	49.2	52.5	55.8	59.1	62.3	65.6
FC	1226.5	306.6	136.3	76.7	49.1	34.1	25	19.2	15.1	12.3	10.1	8.5	7.3	6.3	5.5	4.8	4.2	3.8	3.4	3.1

Key Measurements

Output

Total Lumen Output: 8342 lm
Peak Intensity: 16360 cd

Beam

Beam Angle (50%): 46.3°
Field Angle (10%): 51.1°
Cutoff Angle (2.5%): 52.1°

Color

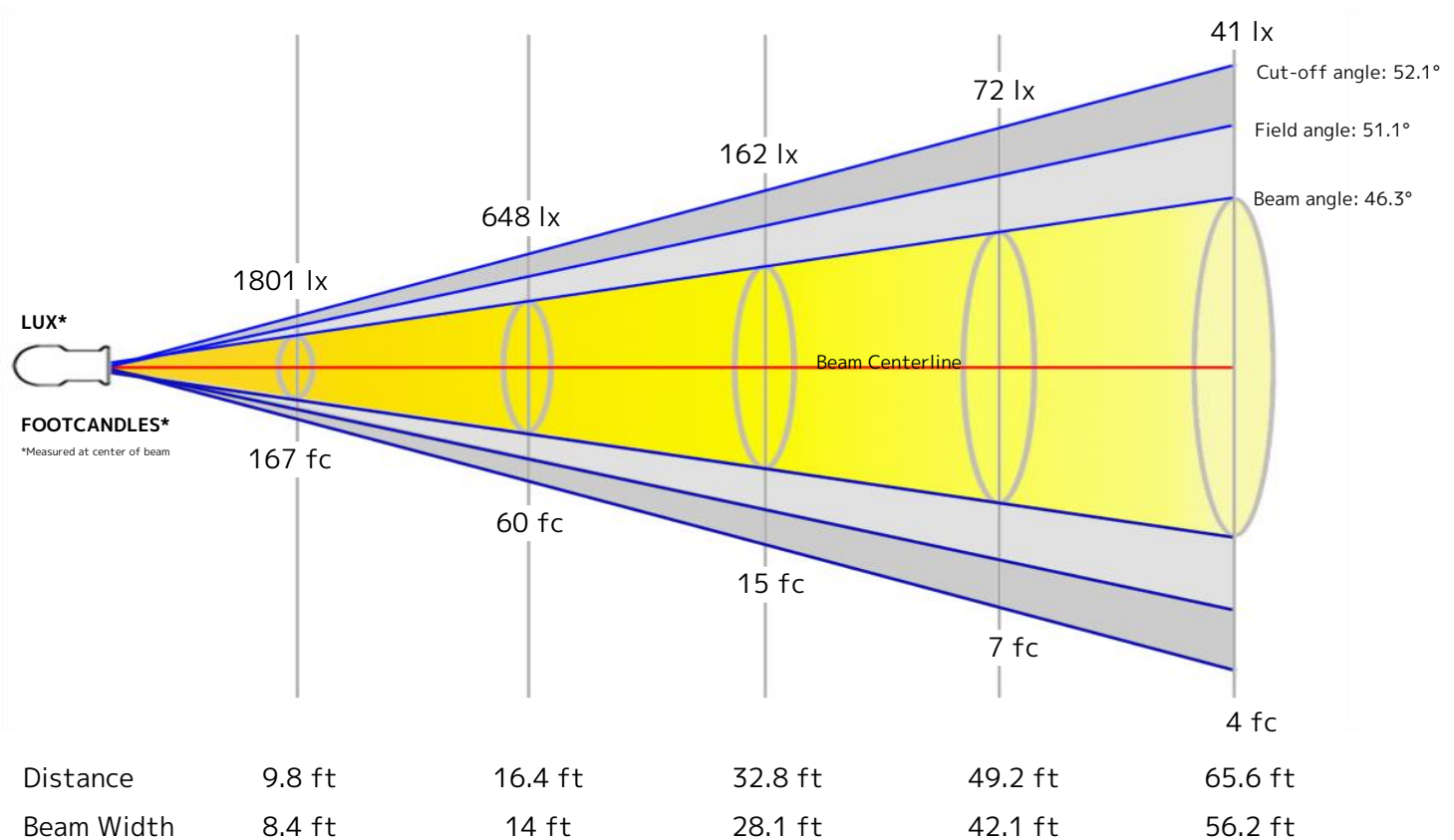
Color Temperature: 3221 K
CRI: 92.7
TLCI: 92
TM30 R_F: 93.7
TM30 R_g: 103.3

Power Details

Efficacy: 30 Lumen/Watt
Power: 276 W
Supply Voltage: 119 V
Current: - A

Beam Details

Distance	3 m	5 m	10 m	15 m	20 m
Beam Width	2.6 m	4.3 m	8.6 m	12.8 m	17.1 m



Beam Intensities from 1-20m

M	1	2	3	4	5	6	7	8	9	10	11	12	13	14	15	16	17	18	19	20
LX	16211	4053	1801	1013	648	450	331	253	200	162	134	113	96	83	72	63	56	50	45	41
FT	3.3	6.6	9.8	13.1	16.4	19.7	23	26.2	29.5	32.8	36.1	39.4	42.7	45.9	49.2	52.5	55.8	59.1	62.3	65.6
FC	1506.1	376.5	167.3	94.1	60.2	41.8	30.7	23.5	18.6	15.1	12.4	10.5	8.9	7.7	6.7	5.9	5.2	4.6	4.2	3.8

Key Measurements

Output

Total Lumen Output: 11212 lm
Peak Intensity: 21871 cd

Beam

Beam Angle (50%): 46.4°
Field Angle (10%): 51.2°
Cutoff Angle (2.5%): 52.2°

Color

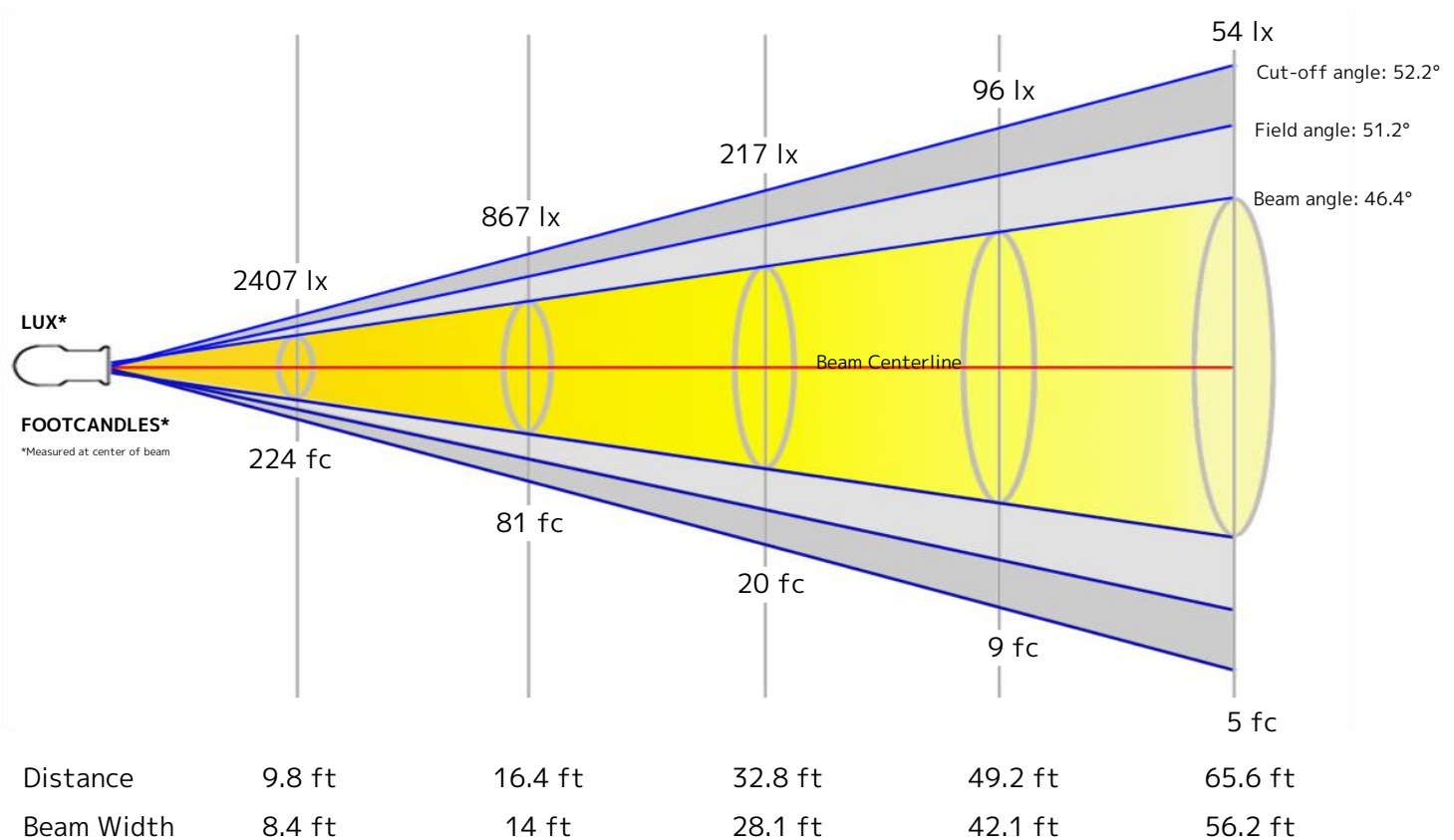
Color Temperature: 4539 K
CRI: 91.6
TLCI: 91
TM30 R_F: 91.1
TM30 R_g: 103.0

Power Details

Efficacy: 34 Lumen/Watt
Power: 330 W
Supply Voltage: 119 V
Current: - A

Beam Details

Distance	3 m	5 m	10 m	15 m	20 m
Beam Width	2.6 m	4.3 m	8.6 m	12.8 m	17.1 m



Beam Intensities from 1-20m

M	1	2	3	4	5	6	7	8	9	10	11	12	13	14	15	16	17	18	19	20
LX	21664	5416	2407	1354	867	602	442	338	267	217	179	150	128	111	96	85	75	67	60	54
FT	3.3	6.6	9.8	13.1	16.4	19.7	23	26.2	29.5	32.8	36.1	39.4	42.7	45.9	49.2	52.5	55.8	59.1	62.3	65.6
FC	2012.6	503.2	223.6	125.8	80.5	55.9	41.1	31.4	24.8	20.1	16.6	14	11.9	10.3	8.9	7.9	7	6.2	5.6	5

Key Measurements

Output

Total Lumen Output: 11605 lm
Peak Intensity: 22633 cd

Beam

Beam Angle (50%): 46.4°
Field Angle (10%): 51°
Cutoff Angle (2.5%): 52.1°

Color

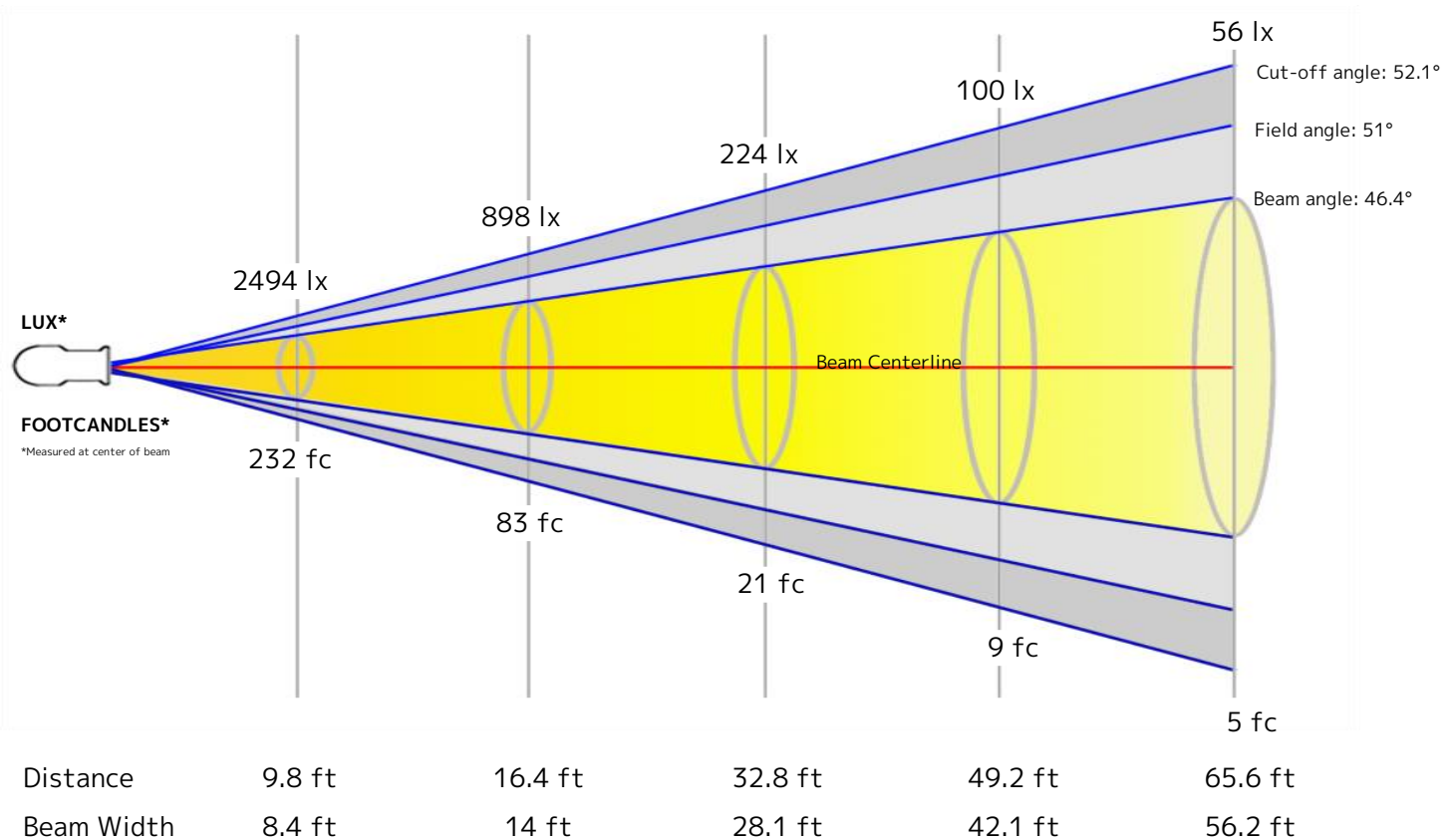
Color Temperature: 5653 K
CRI: 90.2
TLCI: 92
TM30 R_F: 89.6
TM30 R_g: 102.4

Power Details

Efficacy: 32 Lumen/Watt
Power: 360 W
Supply Voltage: 119 V
Current: - A

Beam Details

Distance	3 m	5 m	10 m	15 m	20 m
Beam Width	2.6 m	4.3 m	8.6 m	12.9 m	17.1 m



Beam Intensities from 1-20m

M	1	2	3	4	5	6	7	8	9	10	11	12	13	14	15	16	17	18	19	20
LX	22448	5612	2494	1403	898	624	458	351	277	224	186	156	133	115	100	88	78	69	62	56
FT	3.3	6.6	9.8	13.1	16.4	19.7	23	26.2	29.5	32.8	36.1	39.4	42.7	45.9	49.2	52.5	55.8	59.1	62.3	65.6
FC	2085.5	521.4	231.7	130.3	83.4	57.9	42.6	32.6	25.7	20.9	17.2	14.5	12.3	10.6	9.3	8.1	7.2	6.4	5.8	5.2

Key Measurements

Output

Total Lumen Output: 11055 lm
Peak Intensity: 21450 cd

Beam

Beam Angle (50%): 46.5°
Field Angle (10%): 51°
Cutoff Angle (2.5%): 52.1°

Color

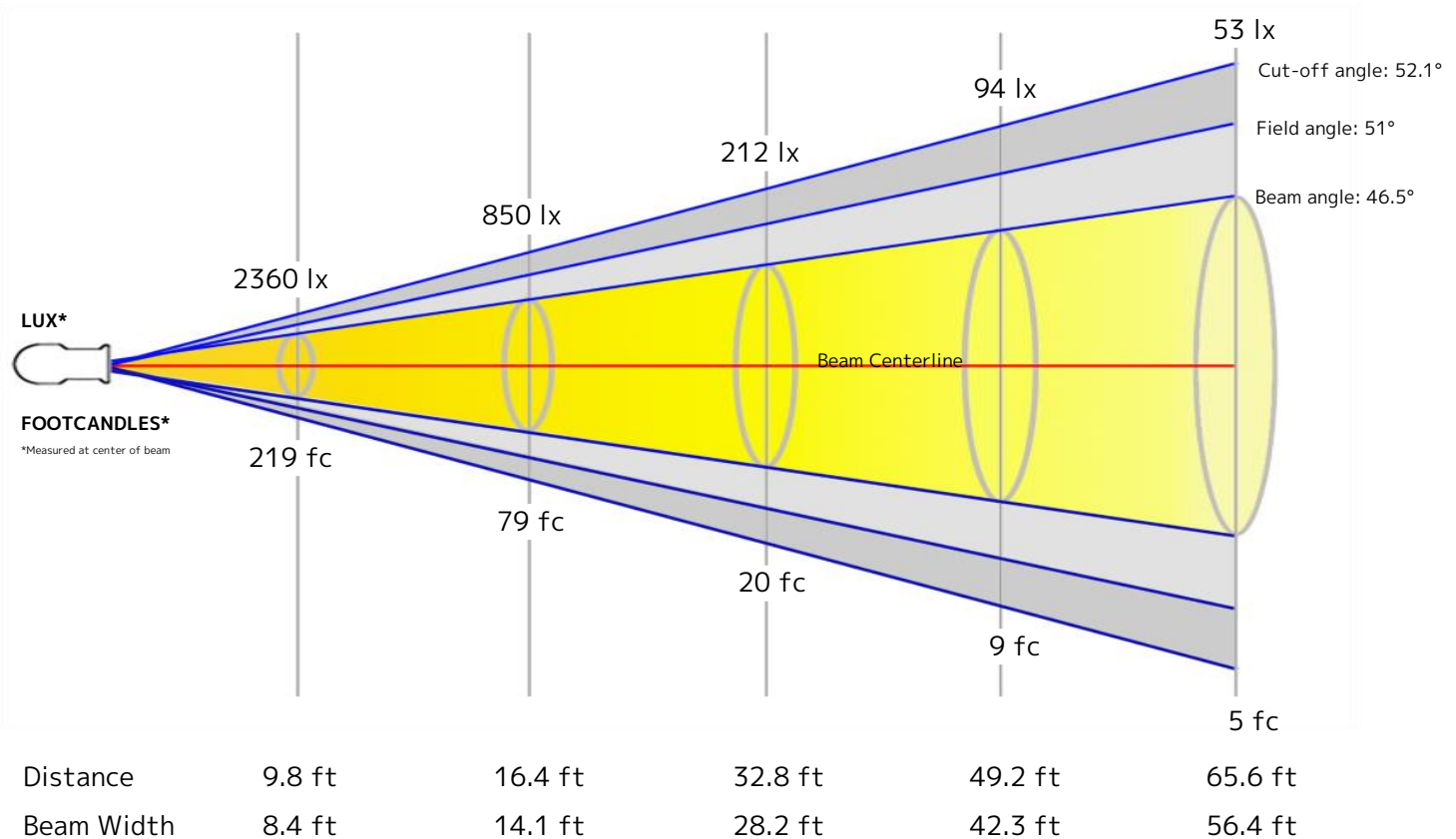
Color Temperature: 5978 K
CRI: 89.9
TLCI: 91
TM30 R_F: 89.2
TM30 R_g: 102.3

Power Details

Efficacy: 31 Lumen/Watt
Power: 360 W
Supply Voltage: 120 V
Current: - A

Beam Details

Distance	3 m	5 m	10 m	15 m	20 m
Beam Width	2.6 m	4.3 m	8.6 m	12.9 m	17.2 m



Beam Intensities from 1-20m

M	1	2	3	4	5	6	7	8	9	10	11	12	13	14	15	16	17	18	19	20
LX	21238	5310	2360	1327	850	590	433	332	262	212	176	147	126	108	94	83	73	66	59	53
FT	3.3	6.6	9.8	13.1	16.4	19.7	23	26.2	29.5	32.8	36.1	39.4	42.7	45.9	49.2	52.5	55.8	59.1	62.3	65.6
FC	1973.1	493.3	219.2	123.3	78.9	54.8	40.3	30.8	24.4	19.7	16.3	13.7	11.7	10.1	8.8	7.7	6.8	6.1	5.5	4.9

Key Measurements

Output

Total Lumen Output: 11180 lm
Peak Intensity: 21962 cd

Beam

Beam Angle (50%): 46.4°
Field Angle (10%): 51.1°
Cutoff Angle (2.5%): 52.1°

Color

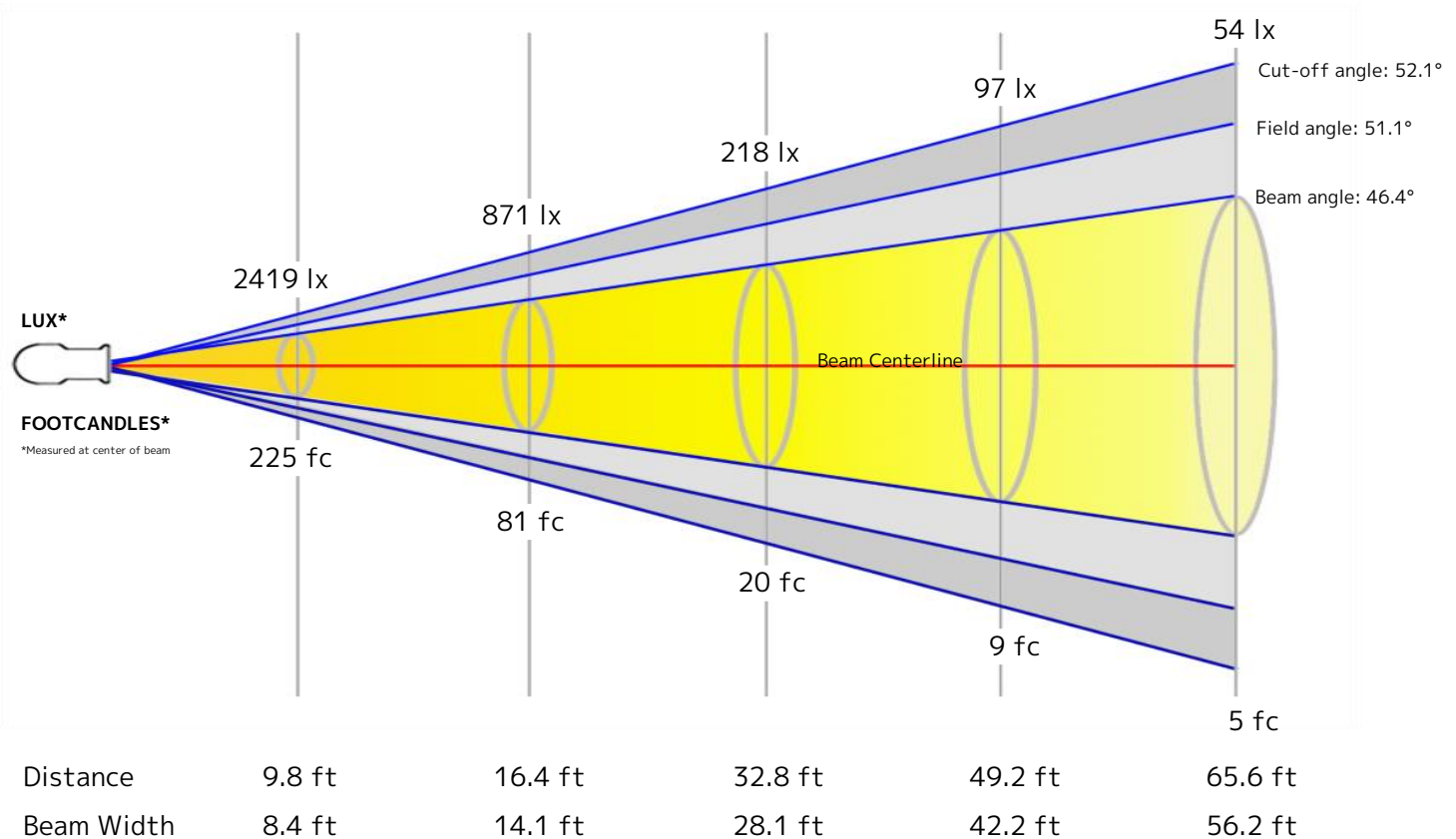
Color Temperature: 6502 K
CRI: 89.1
TLCI: 91
TM30 R_F: 88.2
TM30 R_g: 101.2

Power Details

Efficacy: 31 Lumen/Watt
Power: 360 W
Supply Voltage: 120 V
Current: - A

Beam Details

Distance	3 m	5 m	10 m	15 m	20 m
Beam Width	2.6 m	4.3 m	8.6 m	12.9 m	17.1 m



Beam Intensities from 1-20m

M	1	2	3	4	5	6	7	8	9	10	11	12	13	14	15	16	17	18	19	20
LX	21775	5444	2419	1361	871	605	444	340	269	218	180	151	129	111	97	85	75	67	60	54
FT	3.3	6.6	9.8	13.1	16.4	19.7	23	26.2	29.5	32.8	36.1	39.4	42.7	45.9	49.2	52.5	55.8	59.1	62.3	65.6
FC	2023	505.7	224.8	126.4	80.9	56.2	41.3	31.6	25	20.2	16.7	14	12	10.3	9	7.9	7	6.2	5.6	5.1

Key Measurements

Output

Total Lumen Output: 11660 lm
Peak Intensity: 45147 cd

Beam

Beam Angle (50%): 33.3°
Field Angle (10%): 36.1°
Cutoff Angle (2.5%): 37.4°

Color

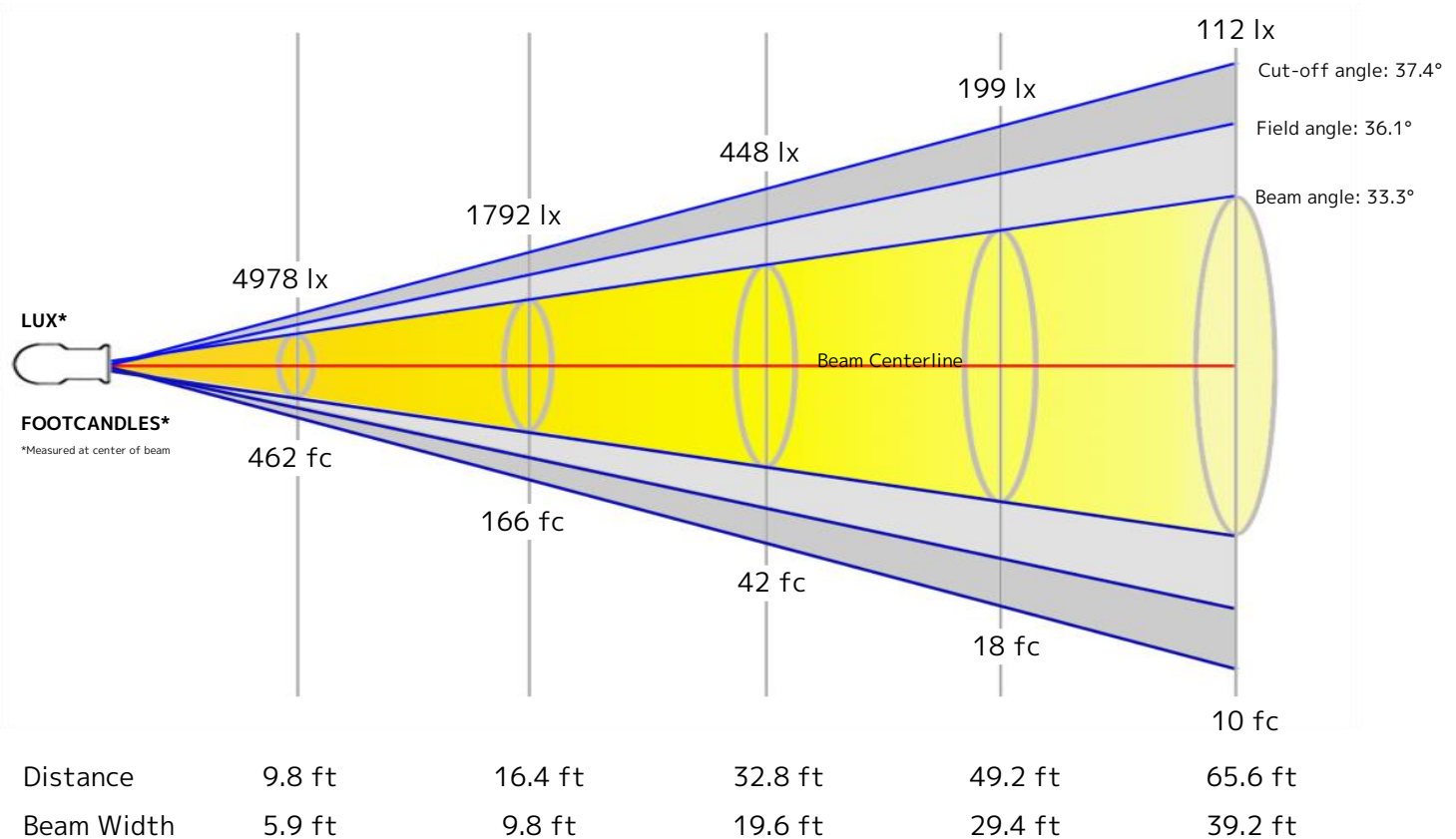
Color Temperature: 5656 K
CRI: 89.1
TLCI: 91
TM30 R_F: 89.1
TM30 R_g: 101.4

Power Details

Efficacy: 32 Lumen/Watt
Power: 363 W
Supply Voltage: 117 V
Current: - A

Beam Details

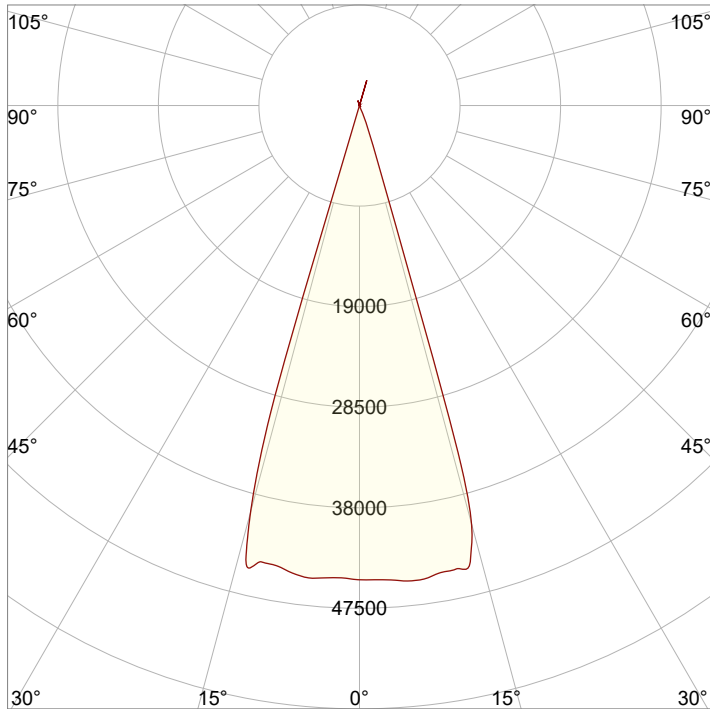
Distance	3 m	5 m	10 m	15 m	20 m
Beam Width	1.8 m	3 m	6 m	9 m	12 m



Beam Intensities from 1-20m

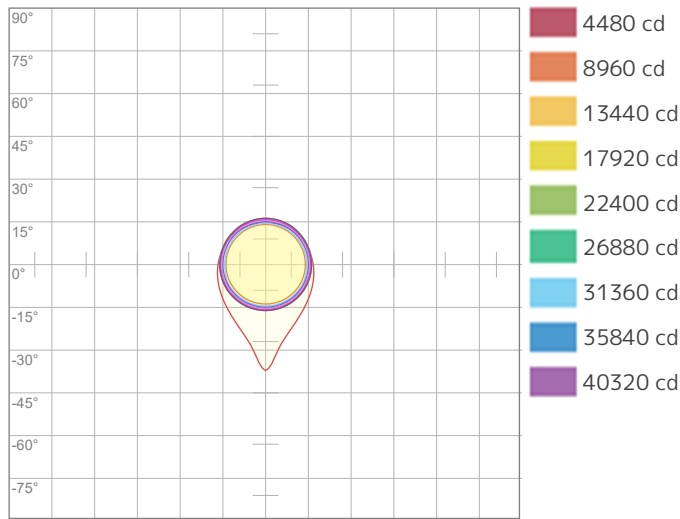
M	1	2	3	4	5	6	7	8	9	10	11	12	13	14	15	16	17	18	19	20
LX	44800	11200	4978	2800	1792	1244	914	700	553	448	370	311	265	229	199	175	155	138	124	112
FT	3.3	6.6	9.8	13.1	16.4	19.7	23	26.2	29.5	32.8	36.1	39.4	42.7	45.9	49.2	52.5	55.8	59.1	62.3	65.6
FC	4162.1	1040.5	462.5	260.1	166.5	115.6	84.9	65	51.4	41.6	34.4	28.9	24.6	21.2	18.5	16.3	14.4	12.8	11.5	10.4

Angular Distribution



Beam Angle - 50%
33.3°
Field Angle - 10%
36.1°
Cutoff Angle - 2.5%
37.4°

ISO Diagrams

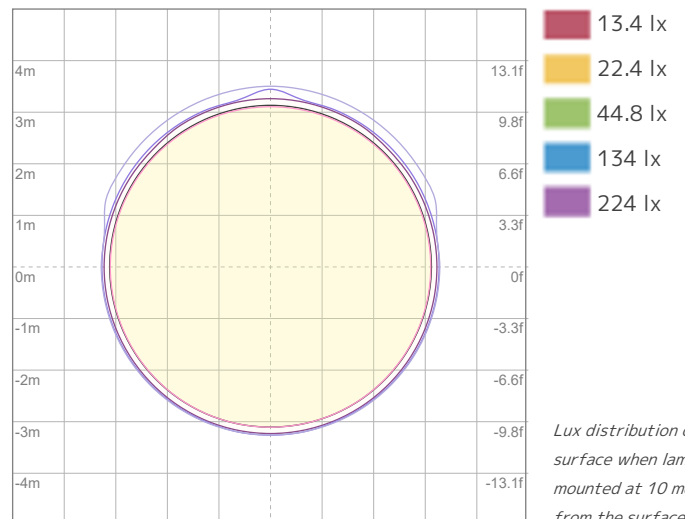


ISO Candela Diagram

Conditions:

Number of c-planes: 2

Candela at center: 44800 cd



ISO LUX Diagram

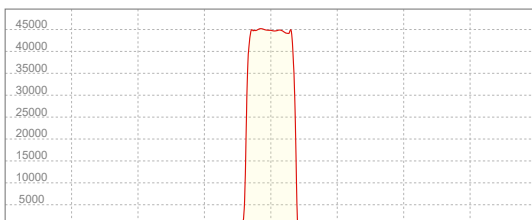
Conditions:

Number of c-planes: 2

LUX at center: 448 lx

Lux distribution on a surface when lamp is mounted at 10 meters from the surface.

Linear Distribution



Peak Candela
45147 cd

Calculate Center Beam Intensities

$$\text{lux} = 45147 / \text{distance(m)}^2$$

$$\text{fc} = 45147 / \text{distance(ft)}^2$$

Key Measurements

Output

Total Lumen Output: 7207 lm
Peak Intensity: 28105 cd

Beam

Beam Angle (50%): 33.3°
Field Angle (10%): 35.5°
Cutoff Angle (2.5%): 35.9°

Color

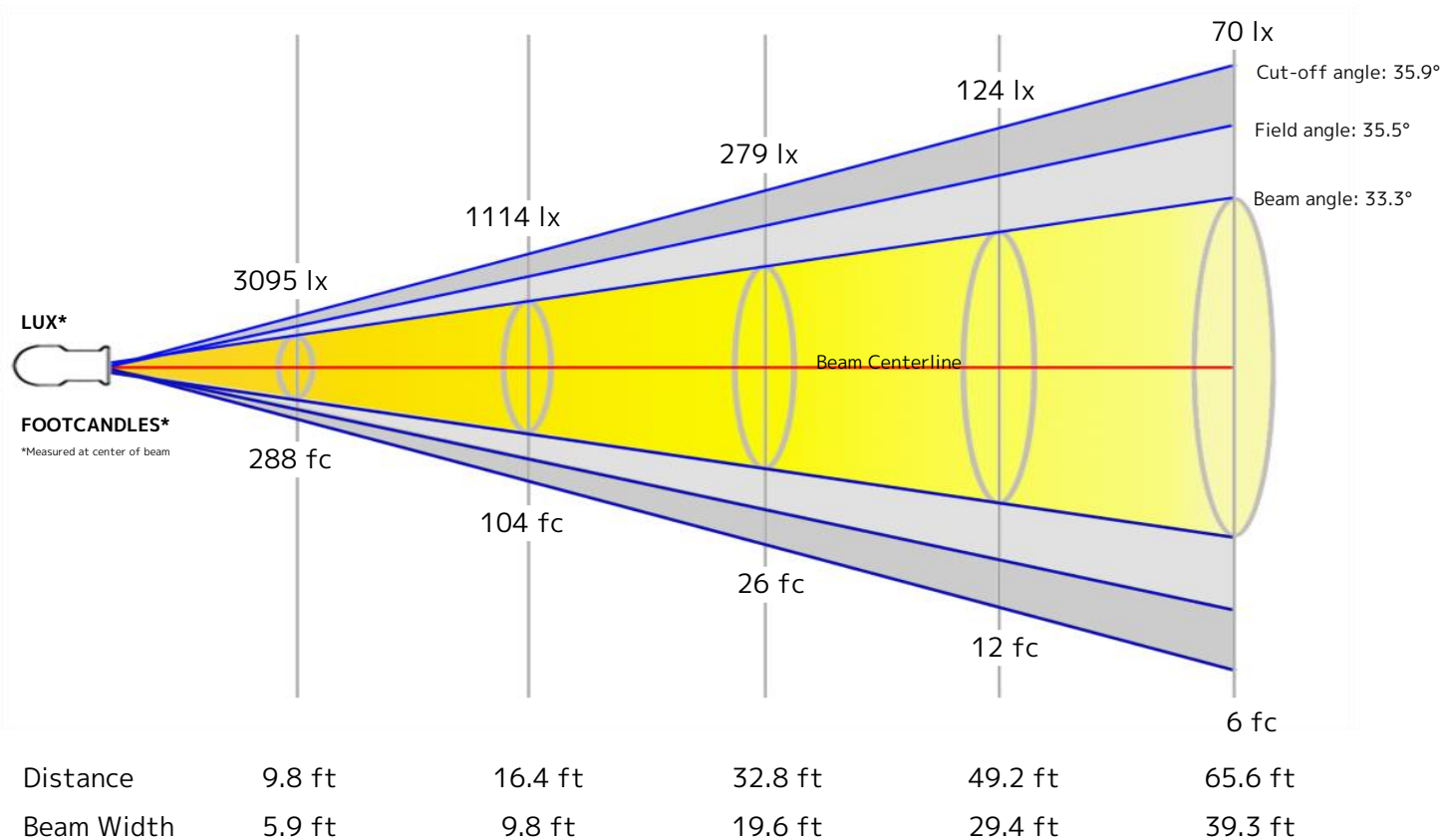
Color Temperature: 2769 K
CRI: 93.6
TLCI: 88
TM30 R_F: 94.0
TM30 R_g: 103.4

Power Details

Efficacy: 31 Lumen/Watt
Power: 235 W
Supply Voltage: 119 V
Current: - A

Beam Details

Distance	3 m	5 m	10 m	15 m	20 m
Beam Width	1.8 m	3 m	6 m	9 m	12 m



Beam Intensities from 1-20m

M	1	2	3	4	5	6	7	8	9	10	11	12	13	14	15	16	17	18	19	20
LX	27853	6963	3095	1741	1114	774	568	435	344	279	230	193	165	142	124	109	96	86	77	70
FT	3.3	6.6	9.8	13.1	16.4	19.7	23	26.2	29.5	32.8	36.1	39.4	42.7	45.9	49.2	52.5	55.8	59.1	62.3	65.6
FC	2587.6	646.9	287.5	161.7	103.5	71.9	52.8	40.4	31.9	25.9	21.4	18	15.3	13.2	11.5	10.1	9	8	7.2	6.5

Key Measurements

Output

Total Lumen Output: 8924 lm
Peak Intensity: 34775 cd

Beam

Beam Angle (50%): 33.1°
Field Angle (10%): 36.3°
Cutoff Angle (2.5%): 37.6°

Color

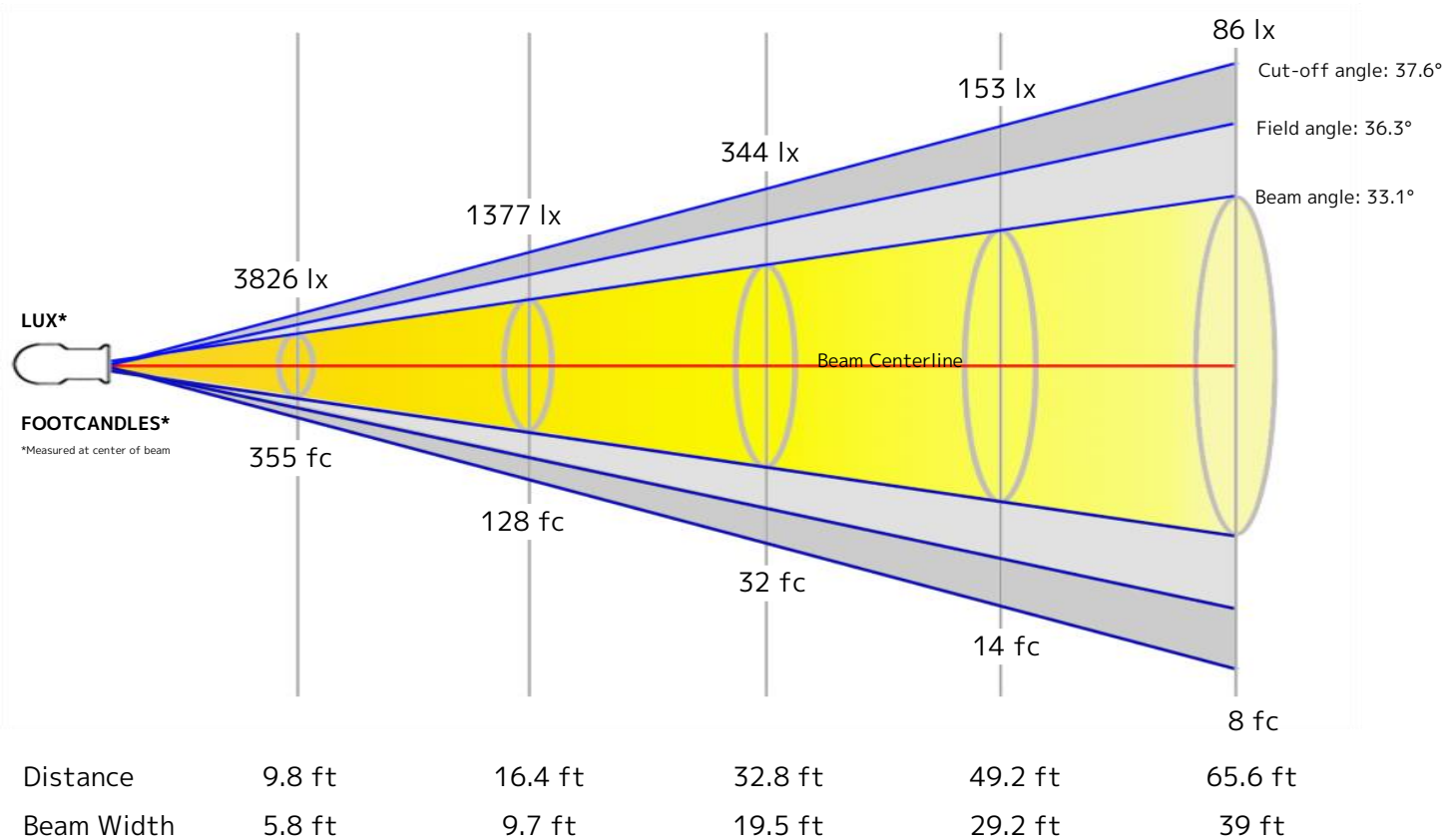
Color Temperature: 3222 K
CRI: 93.4
TLCI: 91
TM30 R_F: 93.7
TM30 R_g: 103.1

Power Details

Efficacy: 32 Lumen/Watt
Power: 276 W
Supply Voltage: 119 V
Current: - A

Beam Details

Distance	3 m	5 m	10 m	15 m	20 m
Beam Width	1.8 m	3 m	5.9 m	8.9 m	11.9 m



Beam Intensities from 1-20m

M	1	2	3	4	5	6	7	8	9	10	11	12	13	14	15	16	17	18	19	20
LX	34430	8607	3826	2152	1377	956	703	538	425	344	285	239	204	176	153	134	119	106	95	86
FT	3.3	6.6	9.8	13.1	16.4	19.7	23	26.2	29.5	32.8	36.1	39.4	42.7	45.9	49.2	52.5	55.8	59.1	62.3	65.6
FC	3198.6	799.7	355.4	199.9	127.9	88.9	65.3	50	39.5	32	26.4	22.2	18.9	16.3	14.2	12.5	11.1	9.9	8.9	8

Key Measurements

Output

Total Lumen Output: 11030 lm
Peak Intensity: 42886 cd

Beam

Beam Angle (50%): 32.9°
Field Angle (10%): 36.5°
Cutoff Angle (2.5%): 37.6°

Color

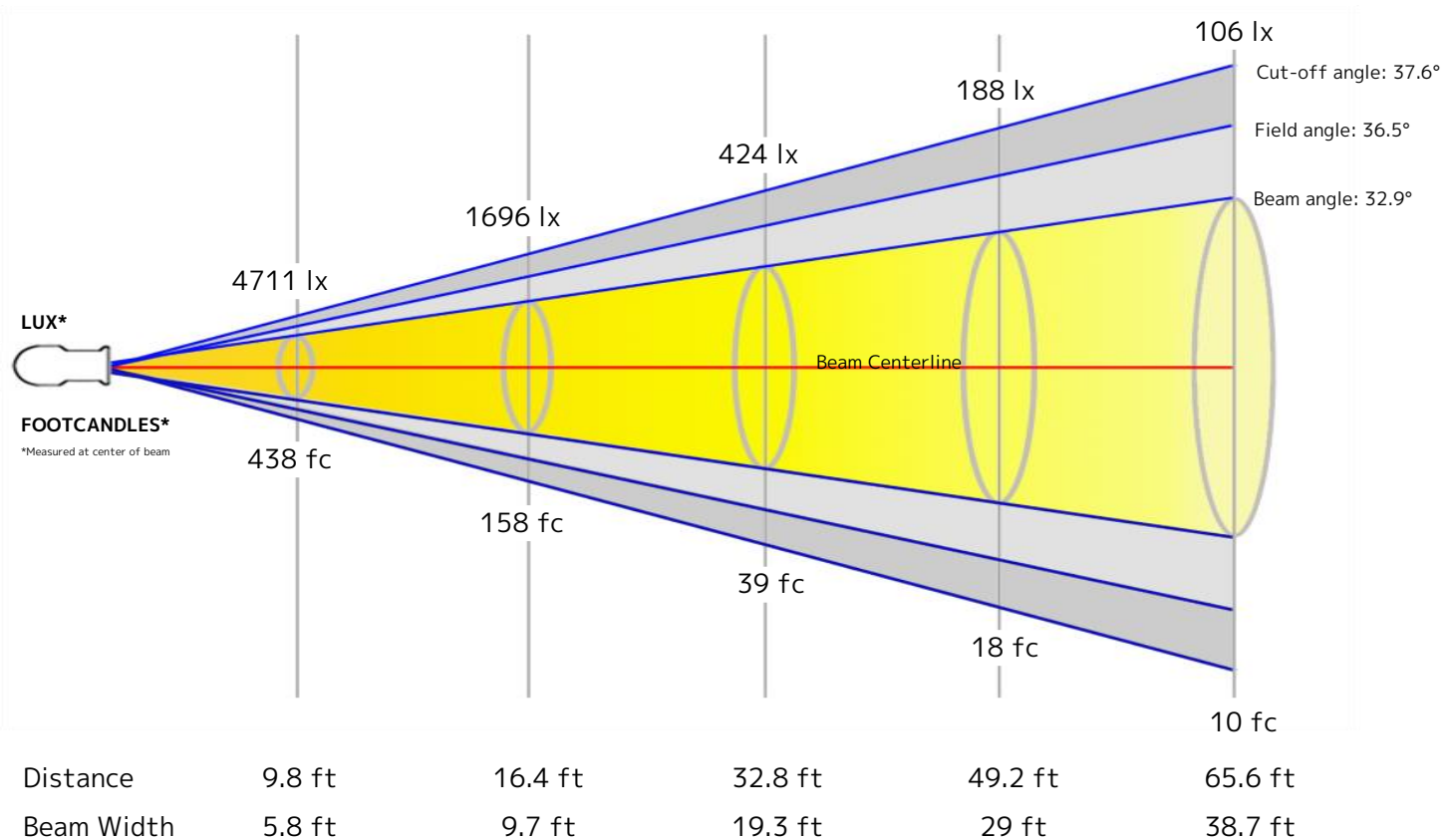
Color Temperature: 4539 K
CRI: 91.6
TLCI: 90
TM30 R_F: 90.6
TM30 R_g: 102.8

Power Details

Efficacy: 21 Lumen/Watt
Power: 530 W
Supply Voltage: 119 V
Current: - A

Beam Details

Distance	3 m	5 m	10 m	15 m	20 m
Beam Width	1.8 m	2.9 m	5.9 m	8.8 m	11.8 m



Beam Intensities from 1-20m

M	1	2	3	4	5	6	7	8	9	10	11	12	13	14	15	16	17	18	19	20
LX	42400	10600	4711	2650	1696	1178	865	663	523	424	350	294	251	216	188	166	147	131	117	106
FT	3.3	6.6	9.8	13.1	16.4	19.7	23	26.2	29.5	32.8	36.1	39.4	42.7	45.9	49.2	52.5	55.8	59.1	62.3	65.6
FC	3939.1	984.8	437.7	246.2	157.6	109.4	80.4	61.5	48.6	39.4	32.6	27.4	23.3	20.1	17.5	15.4	13.6	12.2	10.9	9.8

Key Measurements

Output

Total Lumen Output: 11654 lm
Peak Intensity: 45116 cd

Beam

Beam Angle (50%): 32.8°
Field Angle (10%): 36.8°
Cutoff Angle (2.5%): 37.7°

Color

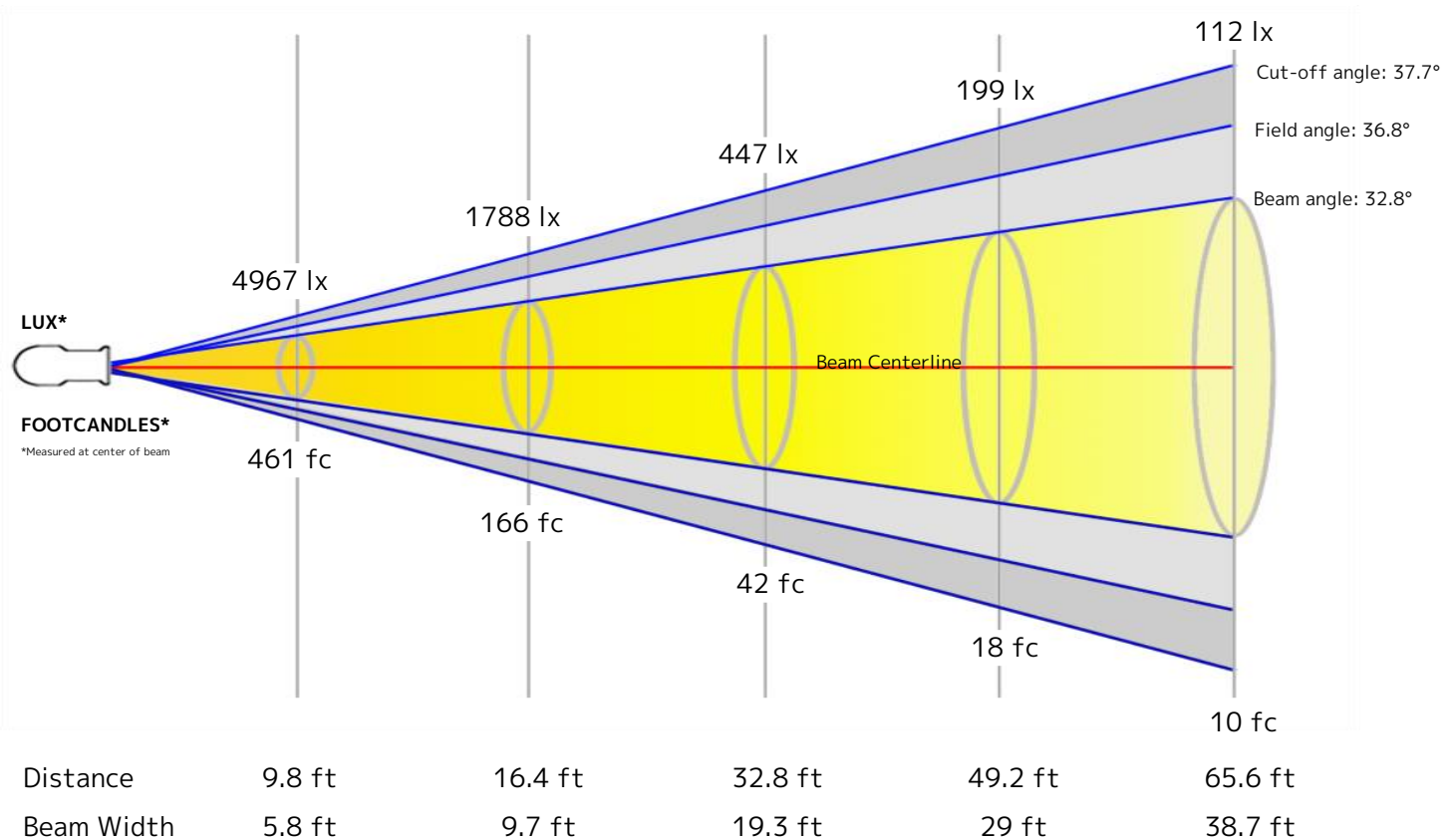
Color Temperature: 5574 K
CRI: 90.3
TLCI: 91
TM30 R_F: 89.5
TM30 R_g: 102.6

Power Details

Efficacy: 32 Lumen/Watt
Power: 360 W
Supply Voltage: 118 V
Current: - A

Beam Details

Distance	3 m	5 m	10 m	15 m	20 m
Beam Width	1.8 m	2.9 m	5.9 m	8.8 m	11.8 m



Beam Intensities from 1-20m

M	1	2	3	4	5	6	7	8	9	10	11	12	13	14	15	16	17	18	19	20
LX	44707	11177	4967	2794	1788	1242	912	699	552	447	369	310	265	228	199	175	155	138	124	112
FT	3.3	6.6	9.8	13.1	16.4	19.7	23	26.2	29.5	32.8	36.1	39.4	42.7	45.9	49.2	52.5	55.8	59.1	62.3	65.6
FC	4153.5	1038.4	461.5	259.6	166.1	115.4	84.8	64.9	51.3	41.5	34.3	28.8	24.6	21.2	18.5	16.2	14.4	12.8	11.5	10.4

Key Measurements

Output

Total Lumen Output: 11192 lm
Peak Intensity: 43417 cd

Beam

Beam Angle (50%): 33.3°
Field Angle (10%): 35.5°
Cutoff Angle (2.5%): 35.9°

Color

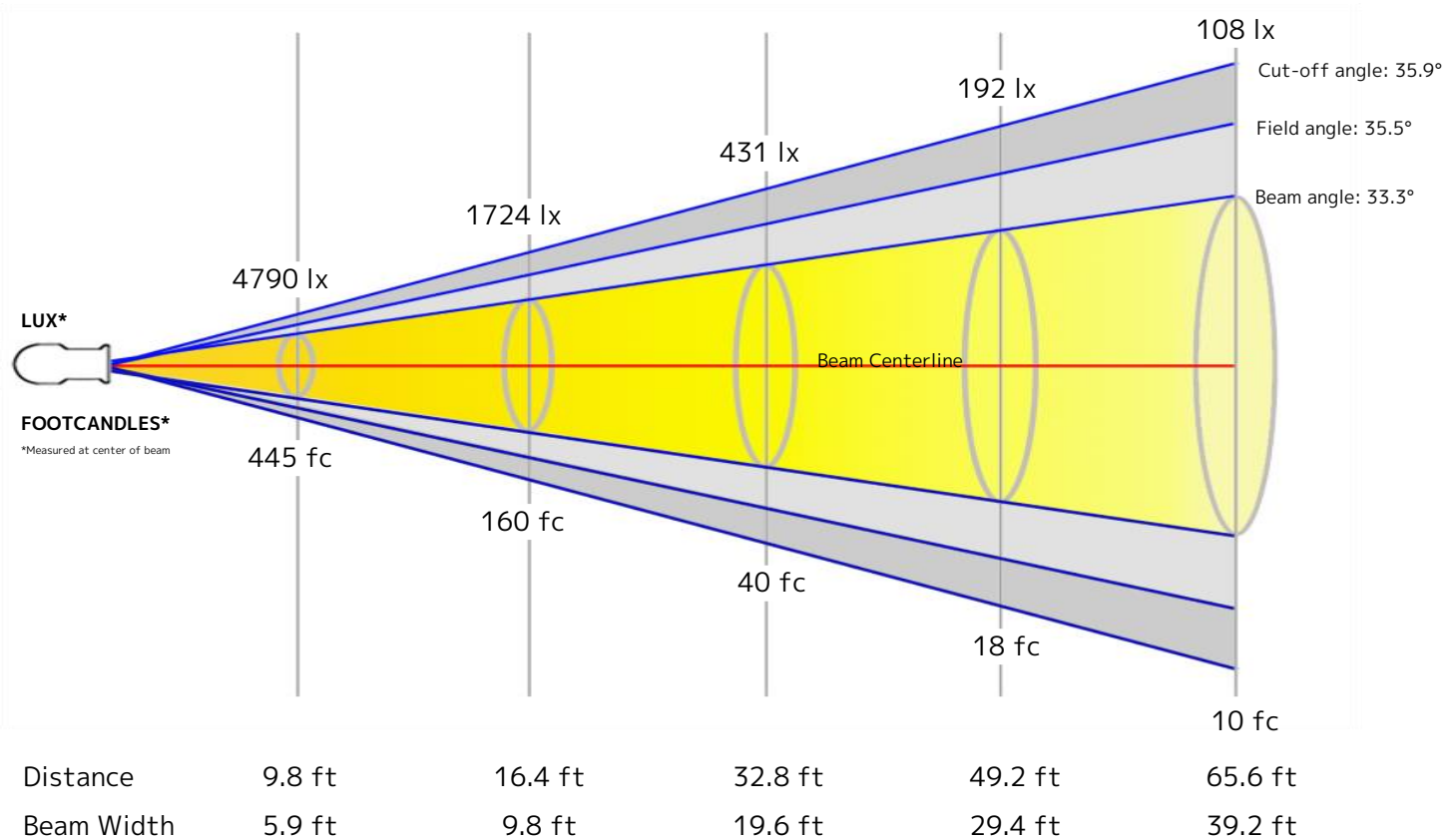
Color Temperature: 5973 K
CRI: 90.1
TLCI: 91
TM30 R_F: 89.1
TM30 R_g: 102.4

Power Details

Efficacy: 31 Lumen/Watt
Power: 360 W
Supply Voltage: 119 V
Current: - A

Beam Details

Distance	3 m	5 m	10 m	15 m	20 m
Beam Width	1.8 m	3 m	6 m	9 m	12 m



Beam Intensities from 1-20m

M	1	2	3	4	5	6	7	8	9	10	11	12	13	14	15	16	17	18	19	20
LX	43111	10778	4790	2694	1724	1198	880	674	532	431	356	299	255	220	192	168	149	133	119	108
FT	3.3	6.6	9.8	13.1	16.4	19.7	23	26.2	29.5	32.8	36.1	39.4	42.7	45.9	49.2	52.5	55.8	59.1	62.3	65.6
FC	4005.2	1001.3	445	250.3	160.2	111.3	81.7	62.6	49.4	40.1	33.1	27.8	23.7	20.4	17.8	15.6	13.9	12.4	11.1	10

Key Measurements

Output

Total Lumen Output: 11214 lm
Peak Intensity: 43403 cd

Beam

Beam Angle (50%): 33.4°
Field Angle (10%): 35.5°
Cutoff Angle (2.5%): 35.9°

Color

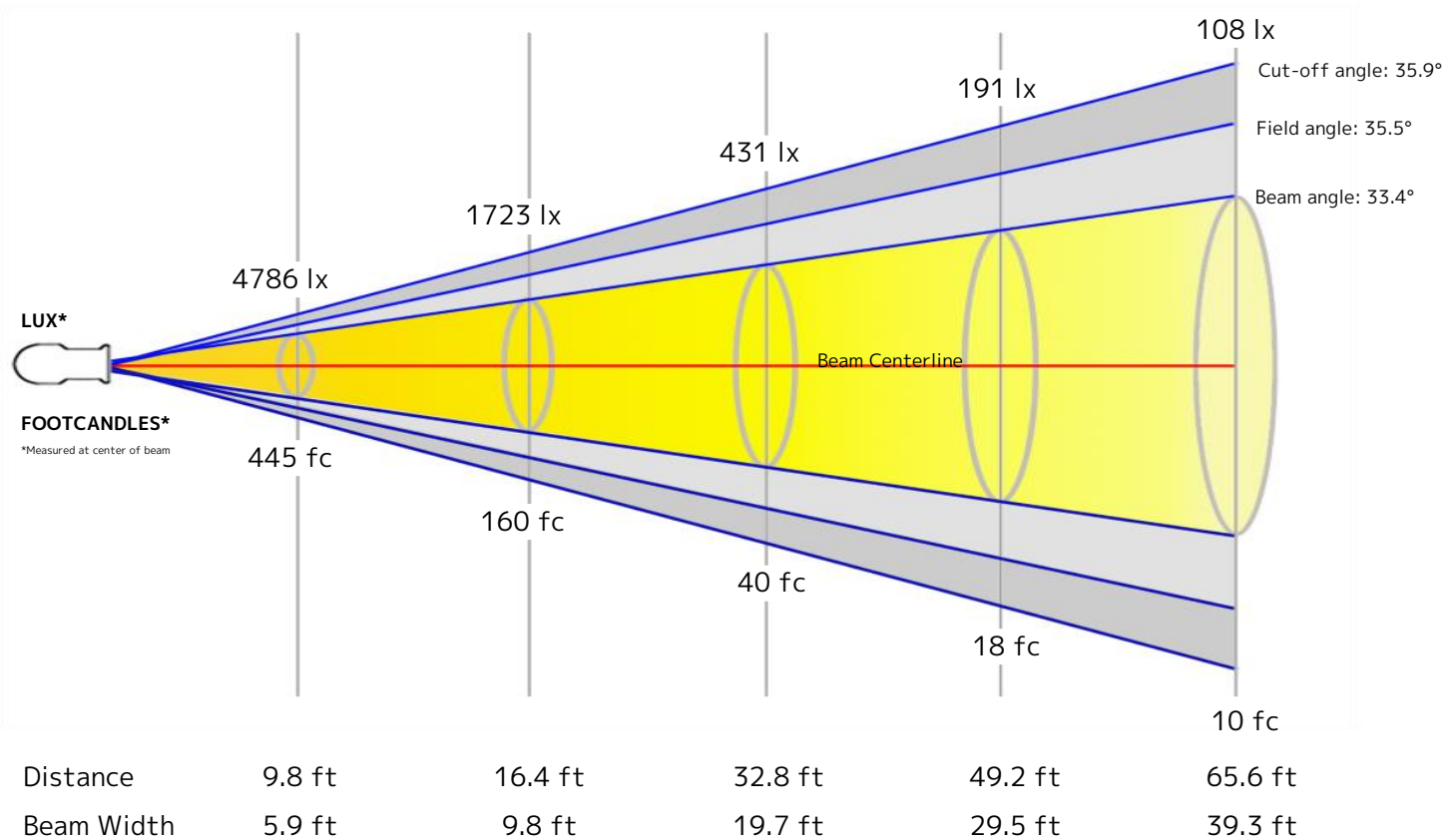
Color Temperature: 6497 K
CRI: 89.4
TLCI: 91
TM30 R_F: 88.4
TM30 R_G: 101.7

Power Details

Efficacy: 31 Lumen/Watt
Power: 360 W
Supply Voltage: 119 V
Current: - A

Beam Details

Distance	3 m	5 m	10 m	15 m	20 m
Beam Width	1.8 m	3 m	6 m	9 m	12 m



Beam Intensities from 1-20m

M	1	2	3	4	5	6	7	8	9	10	11	12	13	14	15	16	17	18	19	20
LX	43071	10768	4786	2692	1723	1196	879	673	532	431	356	299	255	220	191	168	149	133	119	108
FT	3.3	6.6	9.8	13.1	16.4	19.7	23	26.2	29.5	32.8	36.1	39.4	42.7	45.9	49.2	52.5	55.8	59.1	62.3	65.6
FC	4001.4	1000.4	444.6	250.1	160.1	111.2	81.7	62.5	49.4	40	33.1	27.8	23.7	20.4	17.8	15.6	13.8	12.4	11.1	10

Key Measurements

Output

Total Lumen Output: 11507 lm
Peak Intensity: 100516 cd

Beam

Beam Angle (50%): 21.7°
Field Angle (10%): 26.2°
Cutoff Angle (2.5%): 27.1°

Color

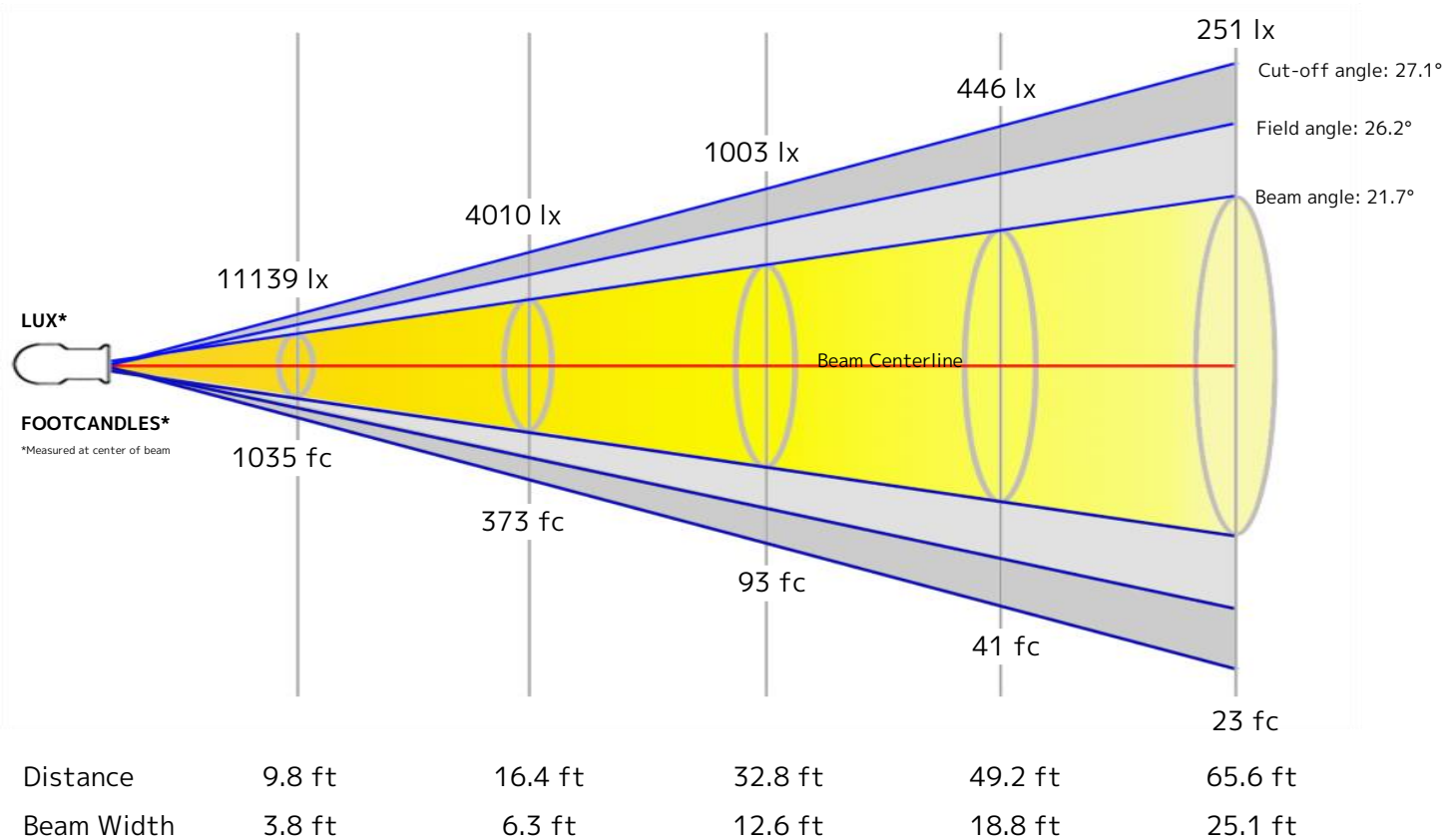
Color Temperature: 5644 K
CRI: 89.3
TLCI: 91
TM30 R_F: 89.2
TM30 R_g: 101.6

Power Details

Efficacy: 32 Lumen/Watt
Power: 363 W
Supply Voltage: 118 V
Current: - A

Beam Details

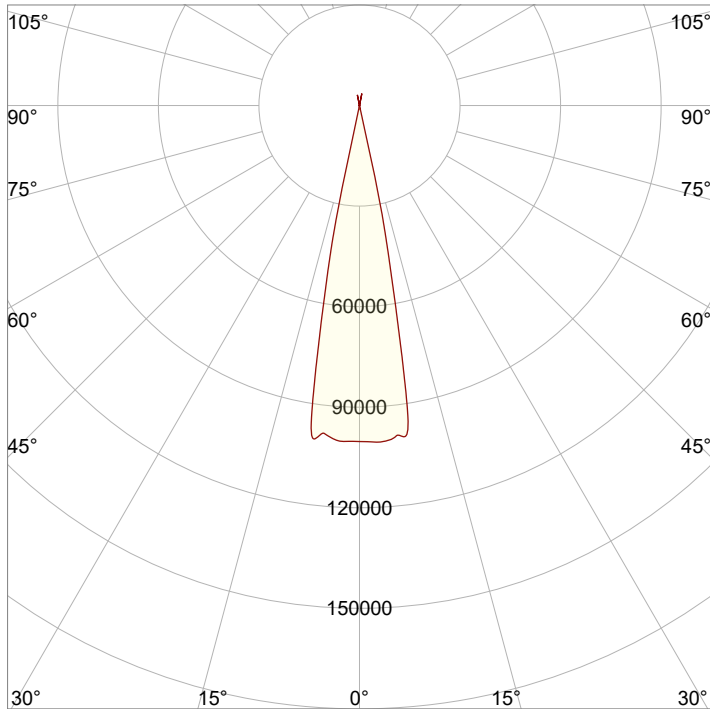
Distance	3 m	5 m	10 m	15 m	20 m
Beam Width	1.1 m	1.9 m	3.8 m	5.7 m	7.7 m



Beam Intensities from 1-20m

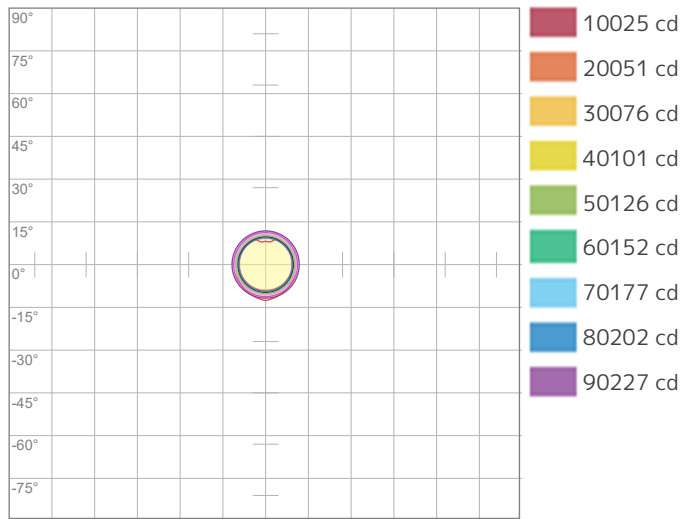
M	1	2	3	4	5	6	7	8	9	10	11	12	13	14	15	16	17	18	19	20
LX	100253	25063	11139	6266	4010	2785	2046	1566	1238	1003	829	696	593	511	446	392	347	309	278	251
FT	3.3	6.6	9.8	13.1	16.4	19.7	23	26.2	29.5	32.8	36.1	39.4	42.7	45.9	49.2	52.5	55.8	59.1	62.3	65.6
FC	9313.8	2328.4	1034.9	582.1	372.6	258.7	190.1	145.5	115	93.1	77	64.7	55.1	47.5	41.4	36.4	32.2	28.7	25.8	23.3

Angular Distribution



Beam Angle - 50%
21.7°
Field Angle - 10%
26.2°
Cutoff Angle - 2.5%
27.1°

ISO Diagrams

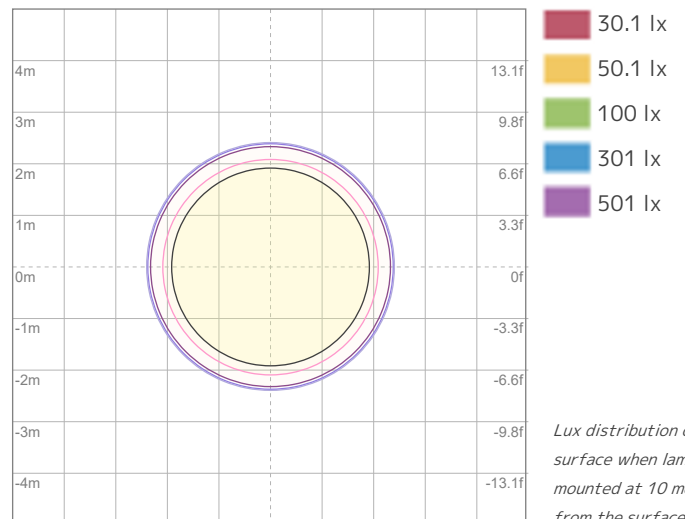


ISO Candela Diagram

Conditions:

Number of c-planes: 2

Candela at center: 100253 cd



ISO LUX Diagram

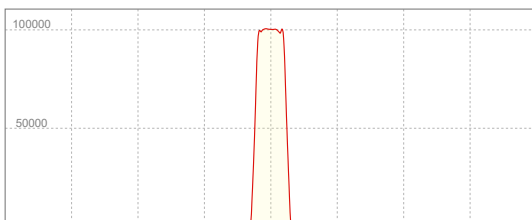
Conditions:

Number of c-planes: 2

LUX at center: 1003 lx

Lux distribution on a surface when lamp is mounted at 10 meters from the surface.

Linear Distribution



Peak Candela
100516 cd

Calculate Center Beam Intensities

$$\text{lux} = 100516 / \text{distance(m)}^2$$

$$\text{fc} = 100516 / \text{distance(ft)}^2$$

Key Measurements

Output

Total Lumen Output: 7076 lm
Peak Intensity: 62174 cd

Beam

Beam Angle (50%): 21.8°
Field Angle (10%): 26.1°
Cutoff Angle (2.5%): 27°

Color

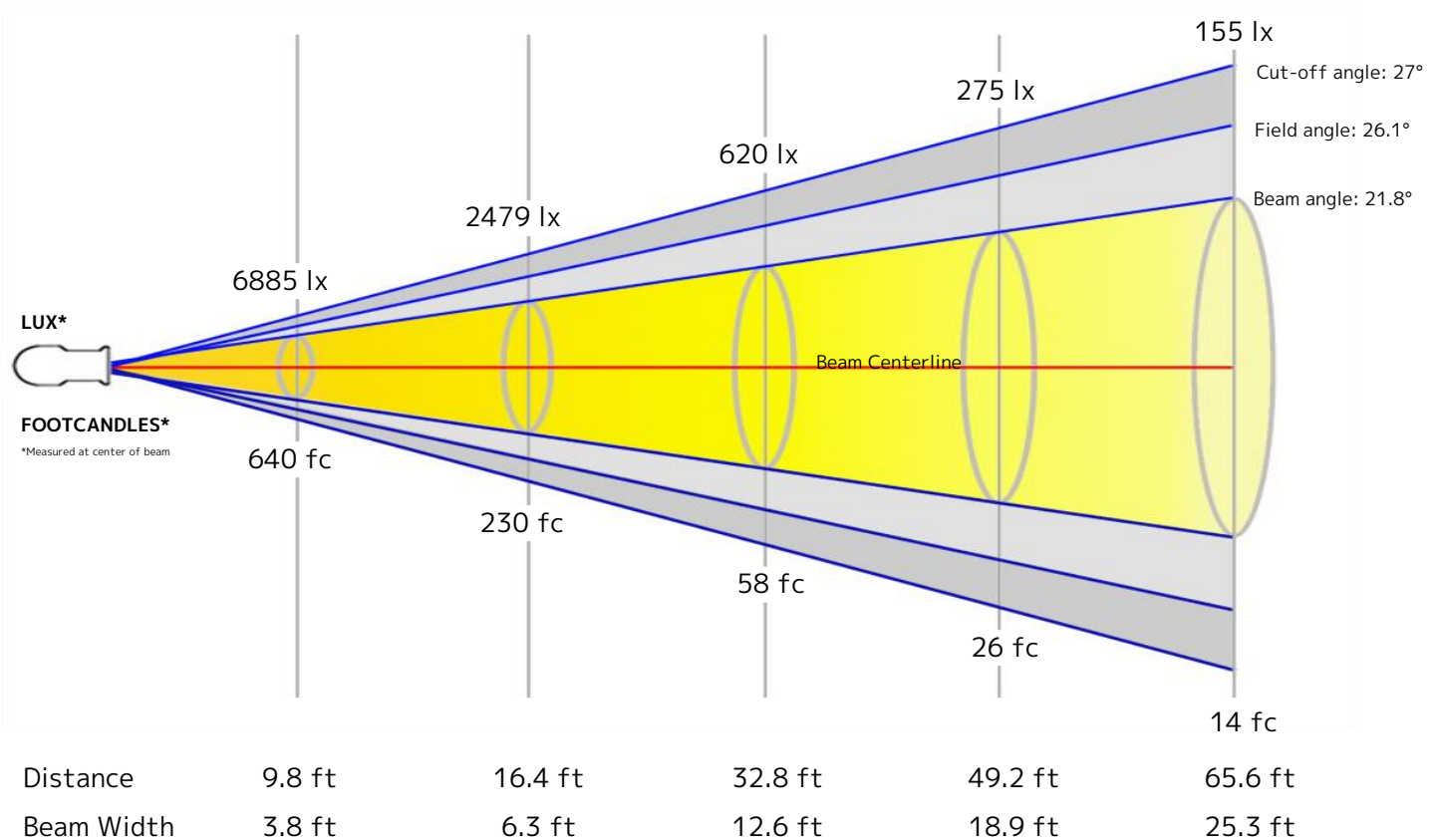
Color Temperature: 2753 K
CRI: 93.4
TLCI: 88
TM30 R_F: 93.9
TM30 R_g: 103.5

Power Details

Efficacy: 30 Lumen/Watt
Power: 235 W
Supply Voltage: 118 V
Current: - A

Beam Details

Distance	3 m	5 m	10 m	15 m	20 m
Beam Width	1.2 m	1.9 m	3.9 m	5.8 m	7.7 m



Beam Intensities from 1-20m

M	1	2	3	4	5	6	7	8	9	10	11	12	13	14	15	16	17	18	19	20
LX	61967	15492	6885	3873	2479	1721	1265	968	765	620	512	430	367	316	275	242	214	191	172	155
FT	3.3	6.6	9.8	13.1	16.4	19.7	23	26.2	29.5	32.8	36.1	39.4	42.7	45.9	49.2	52.5	55.8	59.1	62.3	65.6
FC	5756.9	1439.2	639.7	359.8	230.3	159.9	117.5	90	71.1	57.6	47.6	40	34.1	29.4	25.6	22.5	19.9	17.8	15.9	14.4

Key Measurements

Output

Total Lumen Output: 8450 lm
Peak Intensity: 74151 cd

Beam

Beam Angle (50%): 21.8°
Field Angle (10%): 26.1°
Cutoff Angle (2.5%): 27°

Color

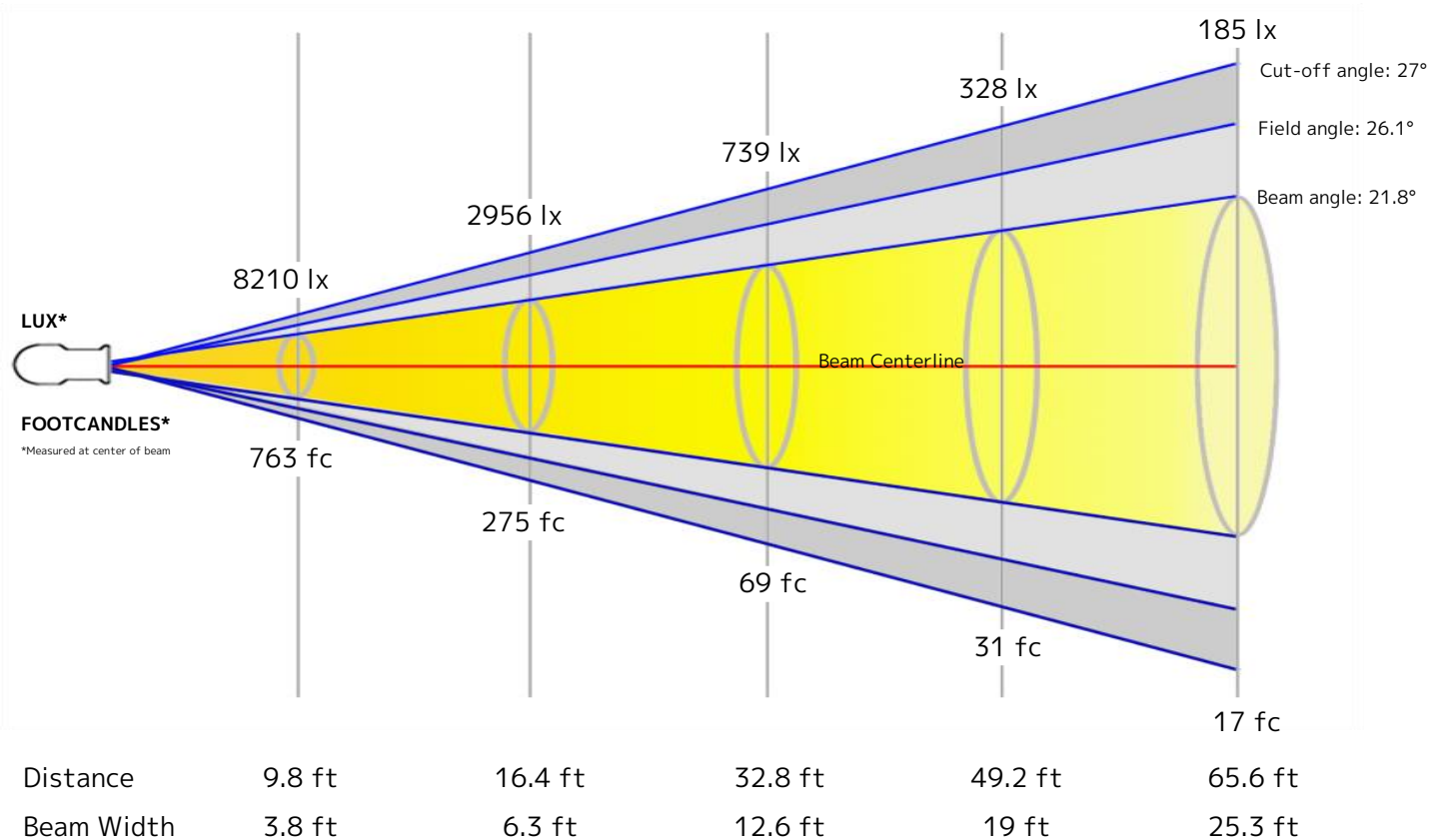
Color Temperature: 3202 K
CRI: 93.1
TLCI: 91
TM30 R_F: 93.7
TM30 R_g: 103.2

Power Details

Efficacy: 31 Lumen/Watt
Power: 276 W
Supply Voltage: 118 V
Current: - A

Beam Details

Distance	3 m	5 m	10 m	15 m	20 m
Beam Width	1.2 m	1.9 m	3.9 m	5.8 m	7.7 m



Beam Intensities from 1-20m

M	1	2	3	4	5	6	7	8	9	10	11	12	13	14	15	16	17	18	19	20
LX	73892	18473	8210	4618	2956	2053	1508	1155	912	739	611	513	437	377	328	289	256	228	205	185
FT	3.3	6.6	9.8	13.1	16.4	19.7	23	26.2	29.5	32.8	36.1	39.4	42.7	45.9	49.2	52.5	55.8	59.1	62.3	65.6
FC	6864.8	1716.2	762.8	429	274.6	190.7	140.1	107.3	84.8	68.6	56.7	47.7	40.6	35	30.5	26.8	23.8	21.2	19	17.2

Key Measurements

Output

Total Lumen Output: 11010 lm
Peak Intensity: 95555 cd

Beam

Beam Angle (50%): 22.1°
Field Angle (10%): 25.1°
Cutoff Angle (2.5%): 25.8°

Color

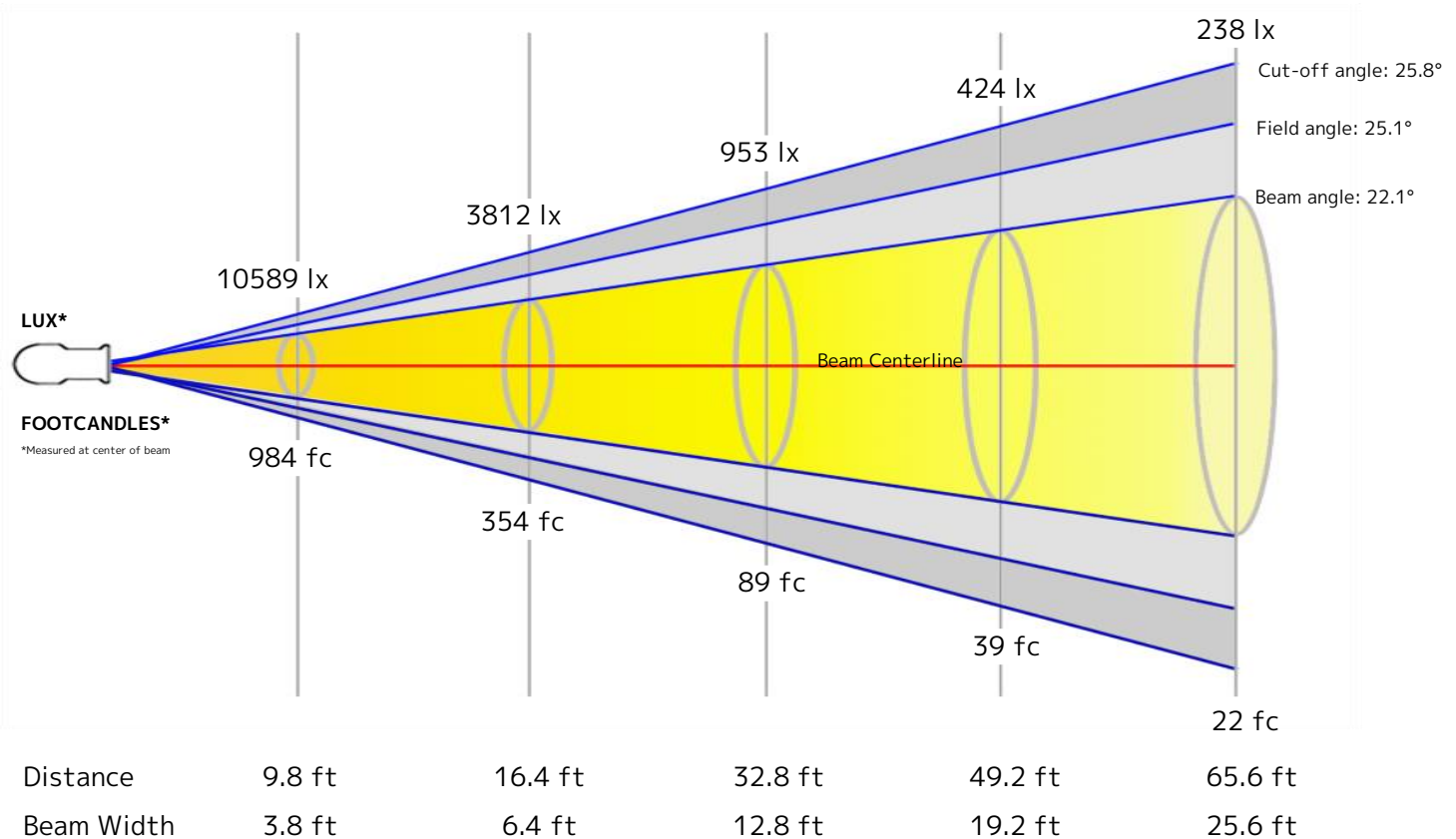
Color Temperature: 4514 K
CRI: 91.8
TLCI: 91
TM30 R_F: 91.0
TM30 R_g: 103.2

Power Details

Efficacy: 33 Lumen/Watt
Power: 330 W
Supply Voltage: 118 V
Current: - A

Beam Details

Distance	3 m	5 m	10 m	15 m	20 m
Beam Width	1.2 m	2 m	3.9 m	5.9 m	7.8 m



Beam Intensities from 1-20m

M	1	2	3	4	5	6	7	8	9	10	11	12	13	14	15	16	17	18	19	20
LX	95301	23825	10589	5956	3812	2647	1945	1489	1177	953	788	662	564	486	424	372	330	294	264	238
FT	3.3	6.6	9.8	13.1	16.4	19.7	23	26.2	29.5	32.8	36.1	39.4	42.7	45.9	49.2	52.5	55.8	59.1	62.3	65.6
FC	8853.7	2213.4	983.7	553.4	354.1	245.9	180.7	138.3	109.3	88.5	73.2	61.5	52.4	45.2	39.3	34.6	30.6	27.3	24.5	22.1

Key Measurements

Output

Total Lumen Output: 11522 lm
Peak Intensity: 100311 cd

Beam

Beam Angle (50%): 22.1°
Field Angle (10%): 24.7°
Cutoff Angle (2.5%): 26.7°

Color

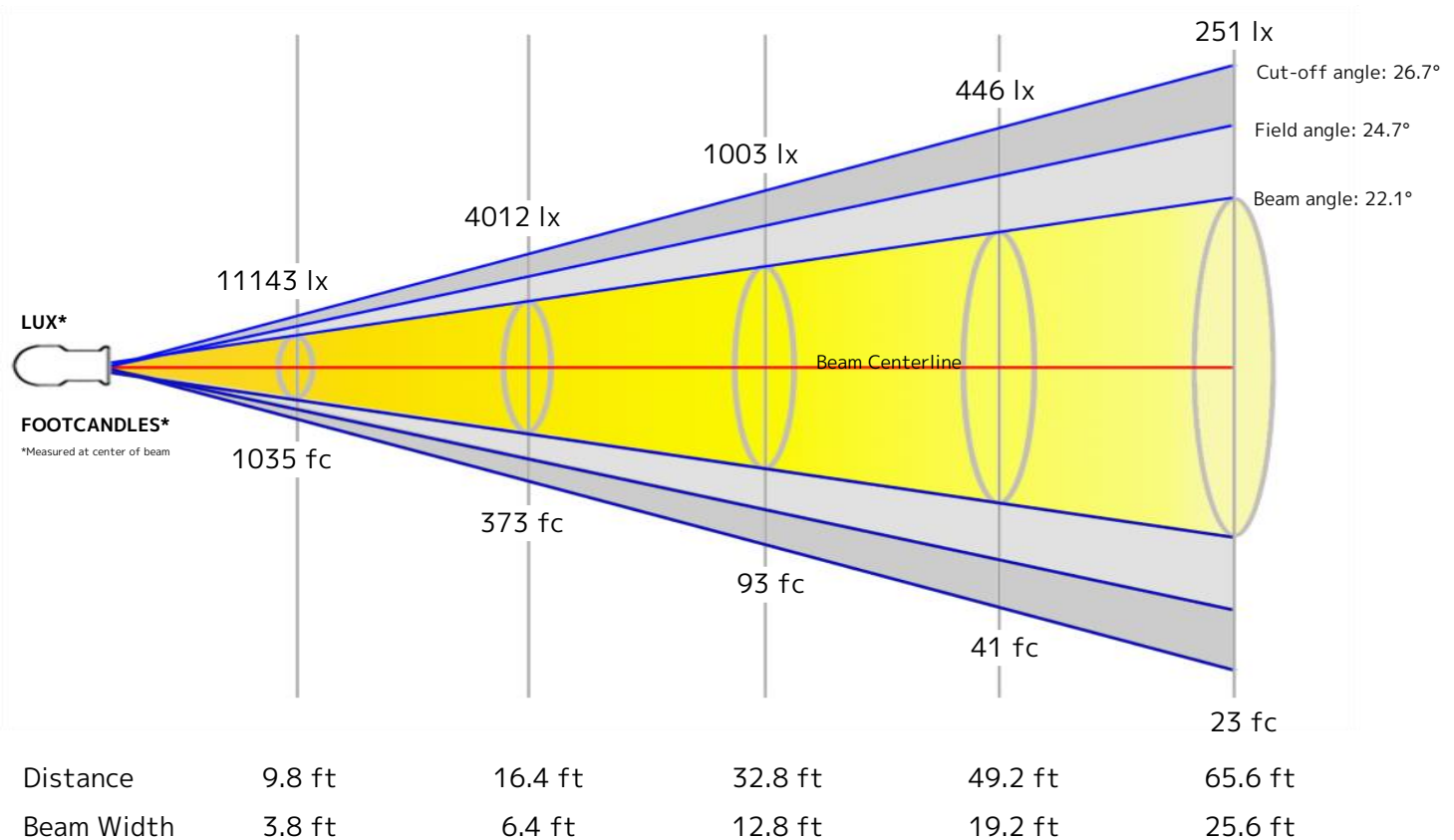
Color Temperature: 5663 K
CRI: 90.4
TLCI: 91
TM30 R_F: 89.5
TM30 R_G: 102.7

Power Details

Efficacy: 32 Lumen/Watt
Power: 360 W
Supply Voltage: 118 V
Current: - A

Beam Details

Distance	3 m	5 m	10 m	15 m	20 m
Beam Width	1.2 m	2 m	3.9 m	5.9 m	7.8 m



Beam Intensities from 1-20m

M	1	2	3	4	5	6	7	8	9	10	11	12	13	14	15	16	17	18	19	20
LX	100291	25073	11143	6268	4012	2786	2047	1567	1238	1003	829	696	593	512	446	392	347	310	278	251
FT	3.3	6.6	9.8	13.1	16.4	19.7	23	26.2	29.5	32.8	36.1	39.4	42.7	45.9	49.2	52.5	55.8	59.1	62.3	65.6
FC	9317.4	2329.3	1035.3	582.3	372.7	258.8	190.2	145.6	115	93.2	77	64.7	55.1	47.5	41.4	36.4	32.2	28.8	25.8	23.3

Key Measurements

Output

Total Lumen Output: 11127 lm
Peak Intensity: 96549 cd

Beam

Beam Angle (50%): 22.1°
Field Angle (10%): 25.1°
Cutoff Angle (2.5%): 25.8°

Color

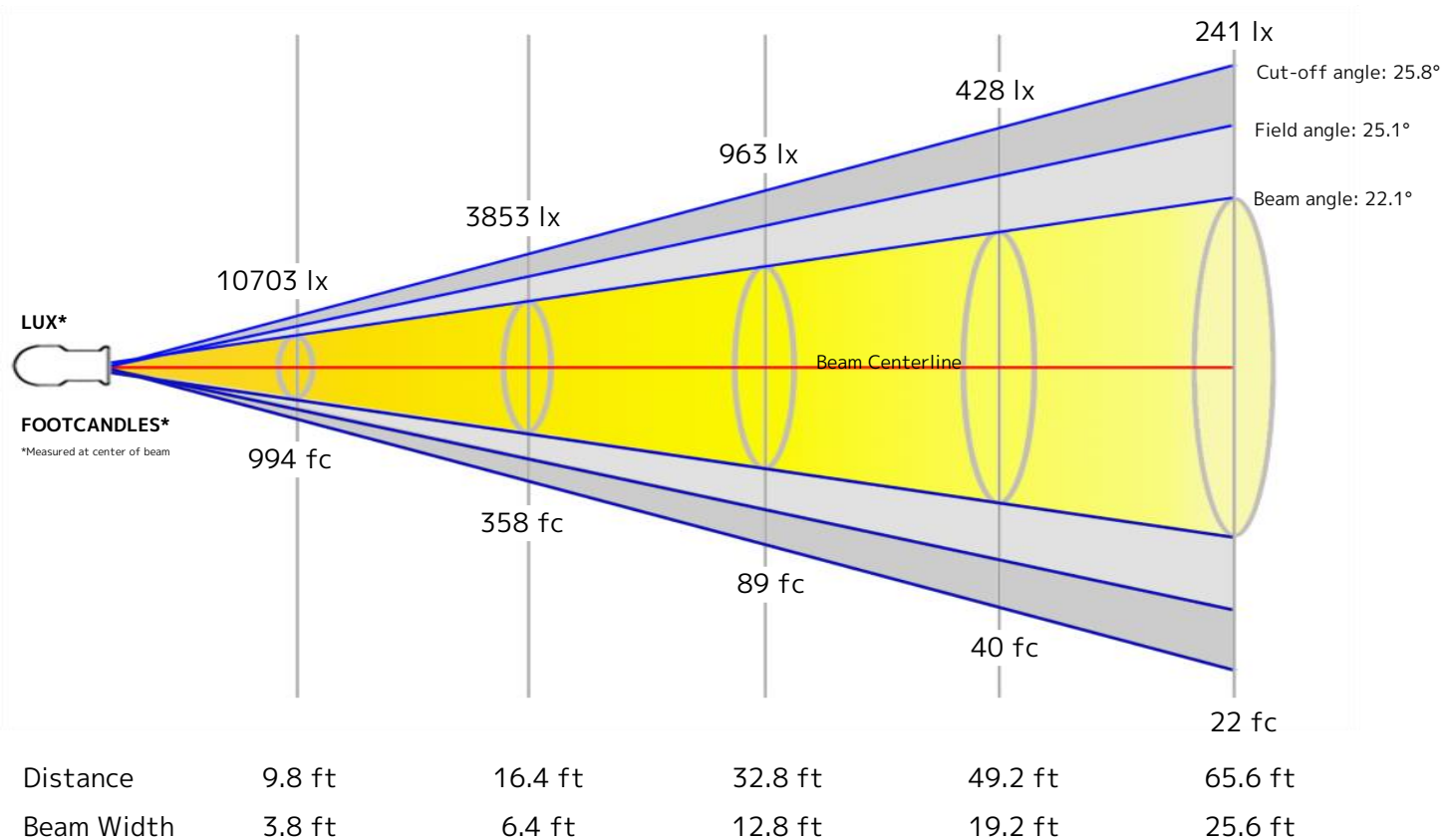
Color Temperature: 5958 K
CRI: 90.2
TLCI: 91
TM30 R_F: 89.2
TM30 R_g: 102.6

Power Details

Efficacy: 31 Lumen/Watt
Power: 360 W
Supply Voltage: 118 V
Current: - A

Beam Details

Distance	3 m	5 m	10 m	15 m	20 m
Beam Width	1.2 m	2 m	3.9 m	5.9 m	7.8 m



Beam Intensities from 1-20m

M	1	2	3	4	5	6	7	8	9	10	11	12	13	14	15	16	17	18	19	20
LX	96329	24082	10703	6021	3853	2676	1966	1505	1189	963	796	669	570	491	428	376	333	297	267	241
FT	3.3	6.6	9.8	13.1	16.4	19.7	23	26.2	29.5	32.8	36.1	39.4	42.7	45.9	49.2	52.5	55.8	59.1	62.3	65.6
FC	8949.2	2237.3	994.4	559.3	358	248.6	182.6	139.8	110.5	89.5	74	62.1	53	45.7	39.8	35	31	27.6	24.8	22.4

Key Measurements

Output

Total Lumen Output: 11440 lm
Peak Intensity: 98687 cd

Beam

Beam Angle (50%): 22.1°
Field Angle (10%): 26.1°
Cutoff Angle (2.5%): 27.1°

Color

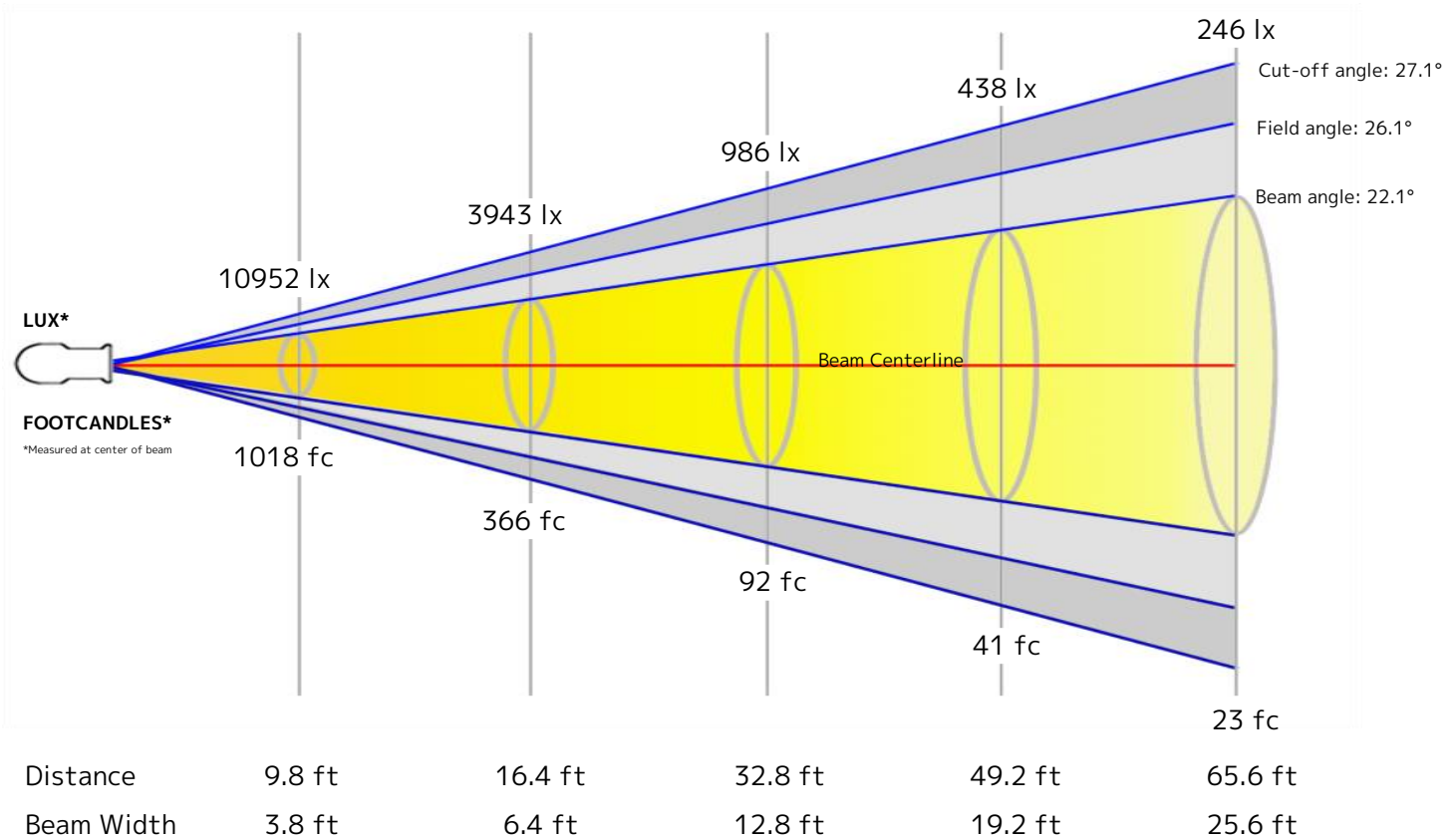
Color Temperature: 6522 K
CRI: 89.5
TLCI: 91
TM30 R_F: 88.2
TM30 R_g: 101.5

Power Details

Efficacy: 32 Lumen/Watt
Power: 360 W
Supply Voltage: 118 V
Current: - A

Beam Details

Distance	3 m	5 m	10 m	15 m	20 m
Beam Width	1.2 m	2 m	3.9 m	5.9 m	7.8 m



Beam Intensities from 1-20m

M	1	2	3	4	5	6	7	8	9	10	11	12	13	14	15	16	17	18	19	20
LX	98572	24643	10952	6161	3943	2738	2012	1540	1217	986	815	685	583	503	438	385	341	304	273	246
FT	3.3	6.6	9.8	13.1	16.4	19.7	23	26.2	29.5	32.8	36.1	39.4	42.7	45.9	49.2	52.5	55.8	59.1	62.3	65.6
FC	9157.6	2289.4	1017.5	572.4	366.3	254.4	186.9	143.1	113.1	91.6	75.7	63.6	54.2	46.7	40.7	35.8	31.7	28.3	25.4	22.9

Key Measurements

Output

Total Lumen Output: 11193 lm
Peak Intensity: 172988 cd

Beam

Beam Angle (50%): 16.9°
Field Angle (10%): 19°
Cutoff Angle (2.5%): 19.4°

Color

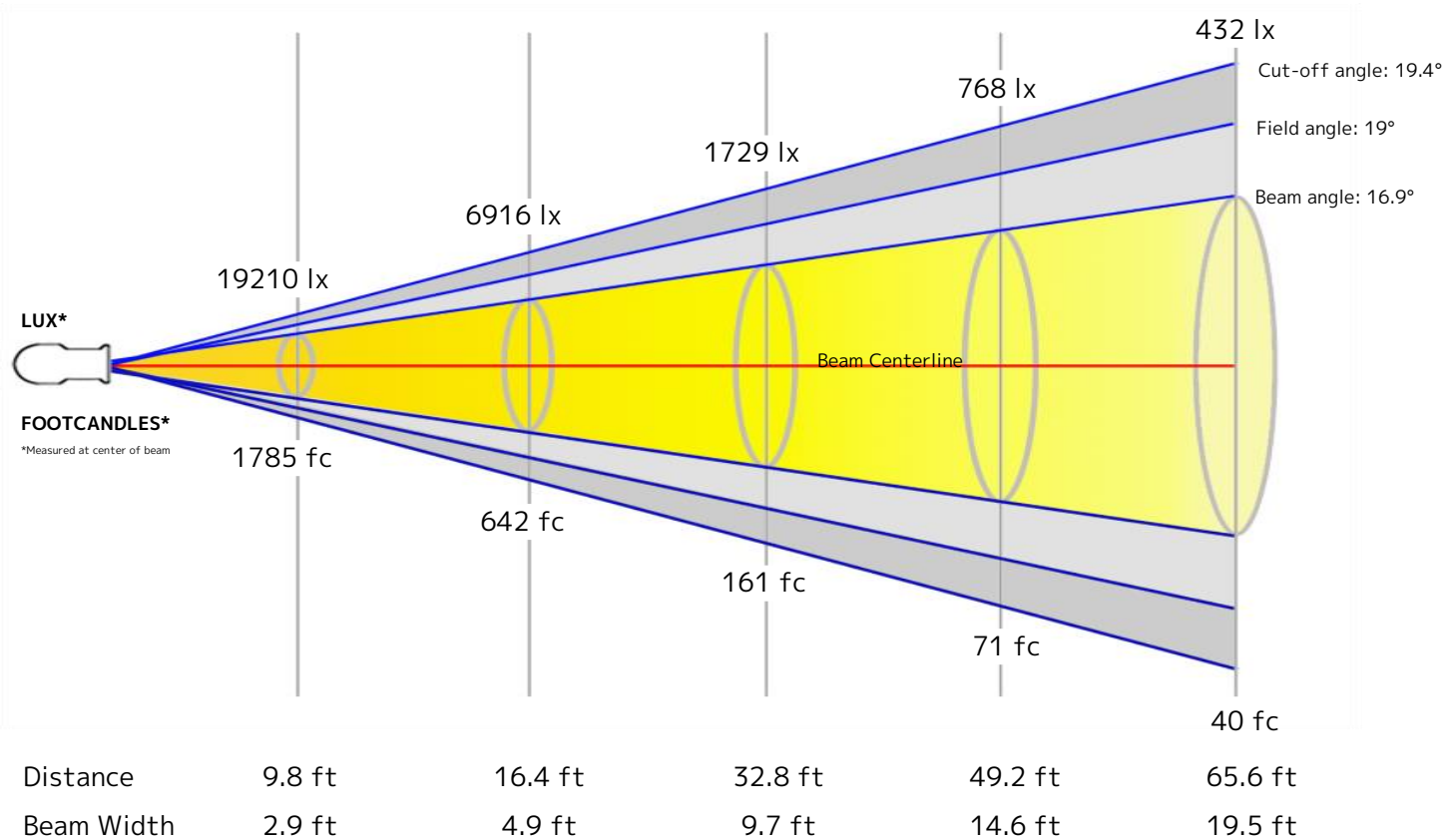
Color Temperature: 5647 K
CRI: 89.3
TLCI: 91
TM30 R_F: 89.2
TM30 R_G: 101.5

Power Details

Efficacy: 31 Lumen/Watt
Power: 363 W
Supply Voltage: 117 V
Current: - A

Beam Details

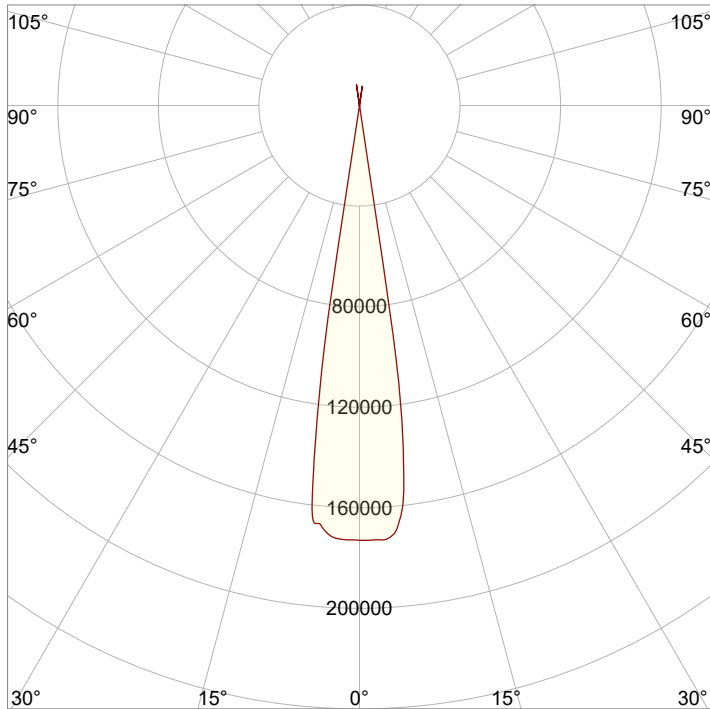
Distance	3 m	5 m	10 m	15 m	20 m
Beam Width	0.9 m	1.5 m	3 m	4.4 m	5.9 m



Beam Intensities from 1-20m

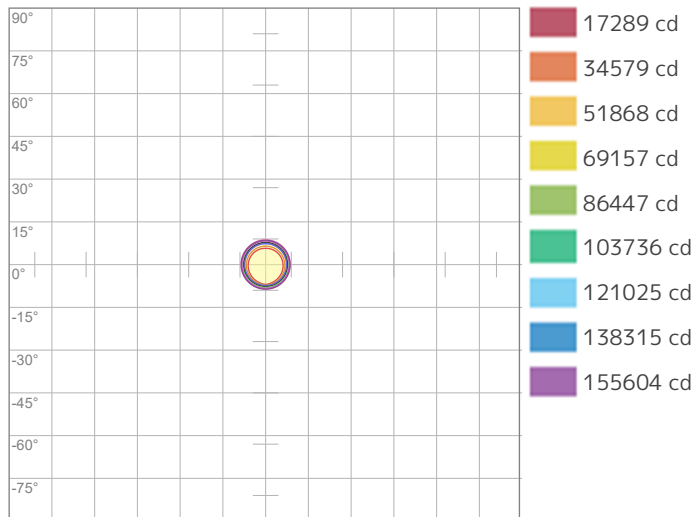
M	1	2	3	4	5	6	7	8	9	10	11	12	13	14	15	16	17	18	19	20
LX	172893	43223	19210	10806	6916	4803	3528	2701	2134	1729	1429	1201	1023	882	768	675	598	534	479	432
FT	3.3	6.6	9.8	13.1	16.4	19.7	23	26.2	29.5	32.8	36.1	39.4	42.7	45.9	49.2	52.5	55.8	59.1	62.3	65.6
FC	16062.3	4015.6	1784.7	1003.9	642.5	446.2	327.8	251	198.3	160.6	132.7	111.5	95	82	71.4	62.7	55.6	49.6	44.5	40.2

Angular Distribution



Beam Angle - 50%
16.9°
Field Angle - 10%
19°
Cutoff Angle - 2.5%
19.4°

ISO Diagrams

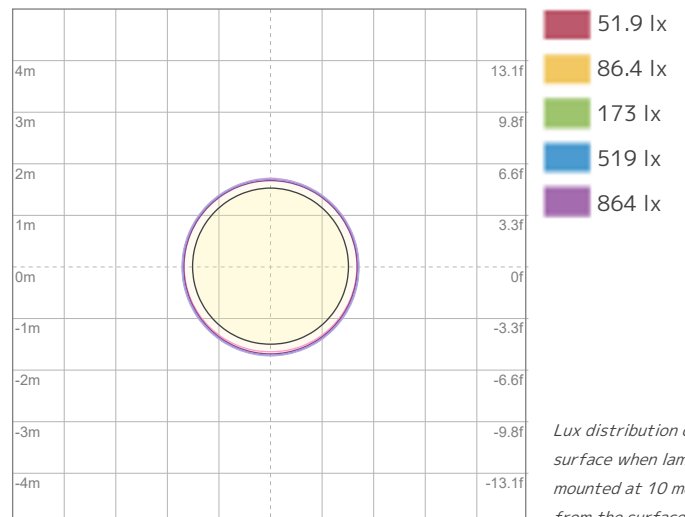


ISO Candela Diagram

Conditions:

Number of c-planes: 2

Candela at center: 172893 cd



ISO LUX Diagram

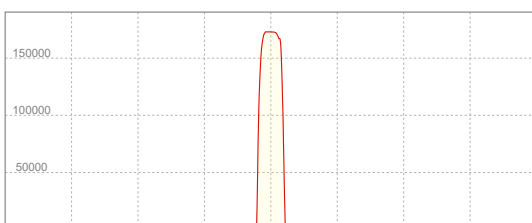
Conditions:

Number of c-planes: 2

LUX at center: 1729 lx

Lux distribution on a surface when lamp is mounted at 10 meters from the surface.

Linear Distribution



Peak Candela
172988 cd

Calculate Center Beam Intensities

$$\text{lux} = 172988 / \text{distance(m)}^2$$

$$\text{fc} = 172988 / \text{distance(ft)}^2$$

Key Measurements

Output

Total Lumen Output: 6998 lm
Peak Intensity: 107359 cd

Beam

Beam Angle (50%): 16.4°
Field Angle (10%): 19.9°
Cutoff Angle (2.5%): 21.5°

Color

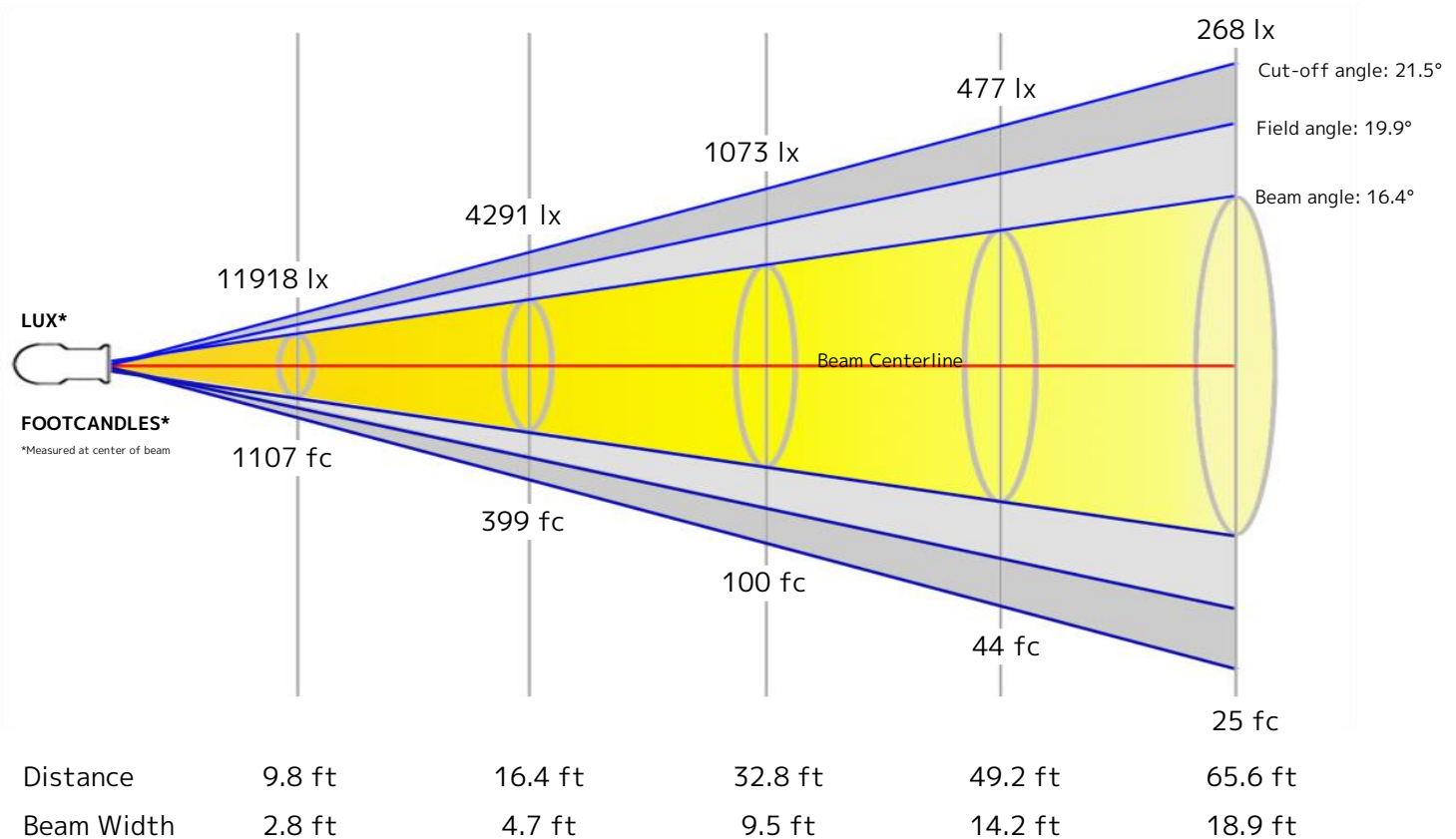
Color Temperature: 2761 K
CRI: 93.6
TLCI: 88
TM30 R_F: 94.0
TM30 R_g: 103.4

Power Details

Efficacy: 30 Lumen/Watt
Power: 235 W
Supply Voltage: 116 V
Current: - A

Beam Details

Distance	3 m	5 m	10 m	15 m	20 m
Beam Width	0.9 m	1.4 m	2.9 m	4.3 m	5.8 m



Beam Intensities from 1-20m

M	1	2	3	4	5	6	7	8	9	10	11	12	13	14	15	16	17	18	19	20
LX	107264	26816	11918	6704	4291	2980	2189	1676	1324	1073	886	745	635	547	477	419	371	331	297	268
FT	3.3	6.6	9.8	13.1	16.4	19.7	23	26.2	29.5	32.8	36.1	39.4	42.7	45.9	49.2	52.5	55.8	59.1	62.3	65.6
FC	9965.1	2491.3	1107.2	622.8	398.6	276.8	203.4	155.7	123	99.7	82.4	69.2	59	50.8	44.3	38.9	34.5	30.8	27.6	24.9

Key Measurements

Output

Total Lumen Output: 8522 lm
Peak Intensity: 130798 cd

Beam

Beam Angle (50%): 16.7°
Field Angle (10%): 19.4°
Cutoff Angle (2.5%): 20.9°

Color

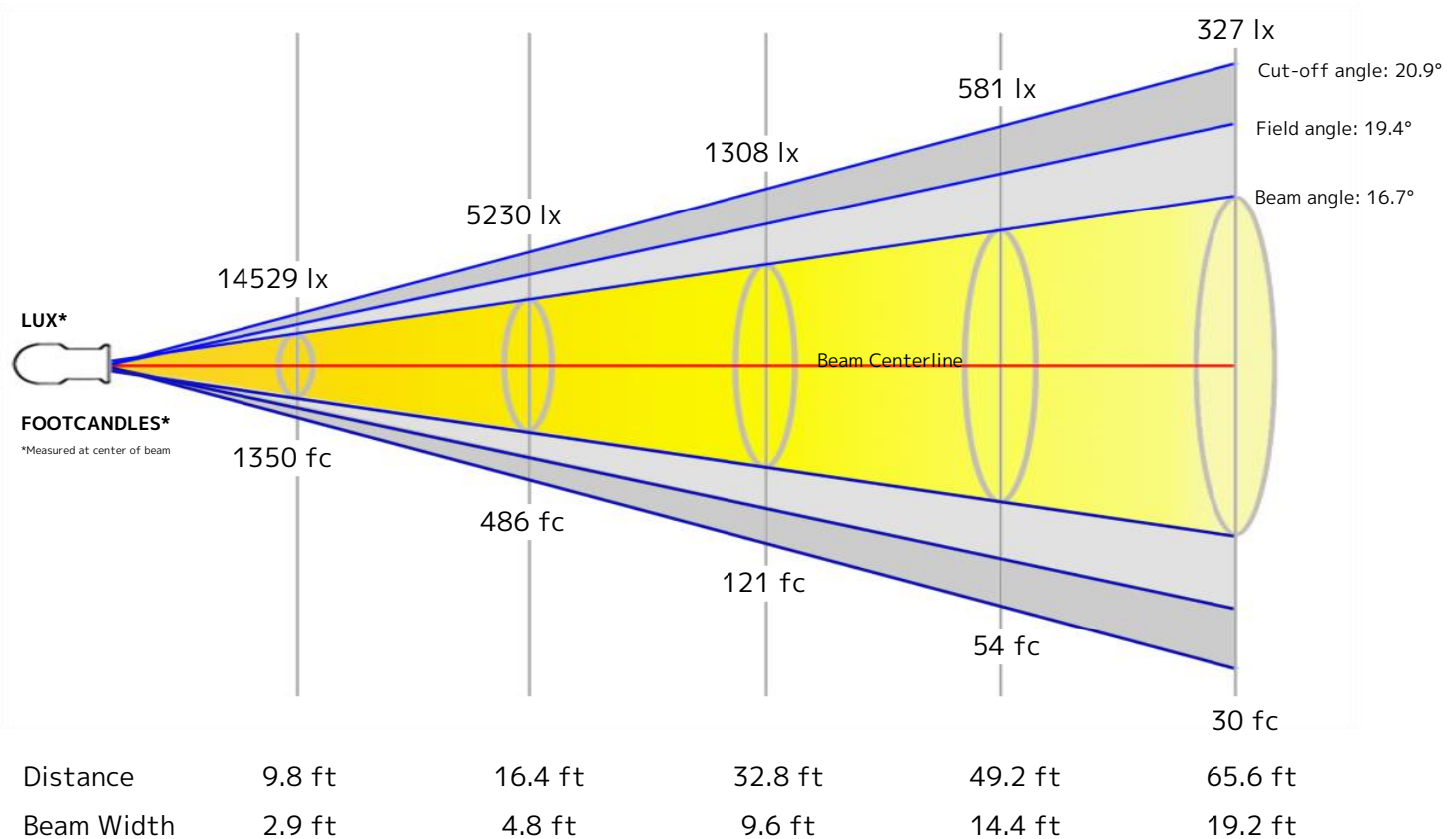
Color Temperature: 3205 K
CRI: 93.2
TLCI: 91
TM30 R_F: 93.7
TM30 R_g: 103.3

Power Details

Efficacy: 31 Lumen/Watt
Power: 276 W
Supply Voltage: 116 V
Current: - A

Beam Details

Distance	3 m	5 m	10 m	15 m	20 m
Beam Width	0.9 m	1.5 m	2.9 m	4.4 m	5.9 m



Beam Intensities from 1-20m

M	1	2	3	4	5	6	7	8	9	10	11	12	13	14	15	16	17	18	19	20
LX	130758	32689	14529	8172	5230	3632	2669	2043	1614	1308	1081	908	774	667	581	511	452	404	362	327
FT	3.3	6.6	9.8	13.1	16.4	19.7	23	26.2	29.5	32.8	36.1	39.4	42.7	45.9	49.2	52.5	55.8	59.1	62.3	65.6
FC	12147.8	3036.9	1349.8	759.2	485.9	337.4	247.9	189.8	150	121.5	100.4	84.4	71.9	62	54	47.5	42	37.5	33.7	30.4

Key Measurements

Output

Total Lumen Output: 10729 lm
Peak Intensity: 164243 cd

Beam

Beam Angle (50%): 16.5°
Field Angle (10%): 19.6°
Cutoff Angle (2.5%): 21.4°

Color

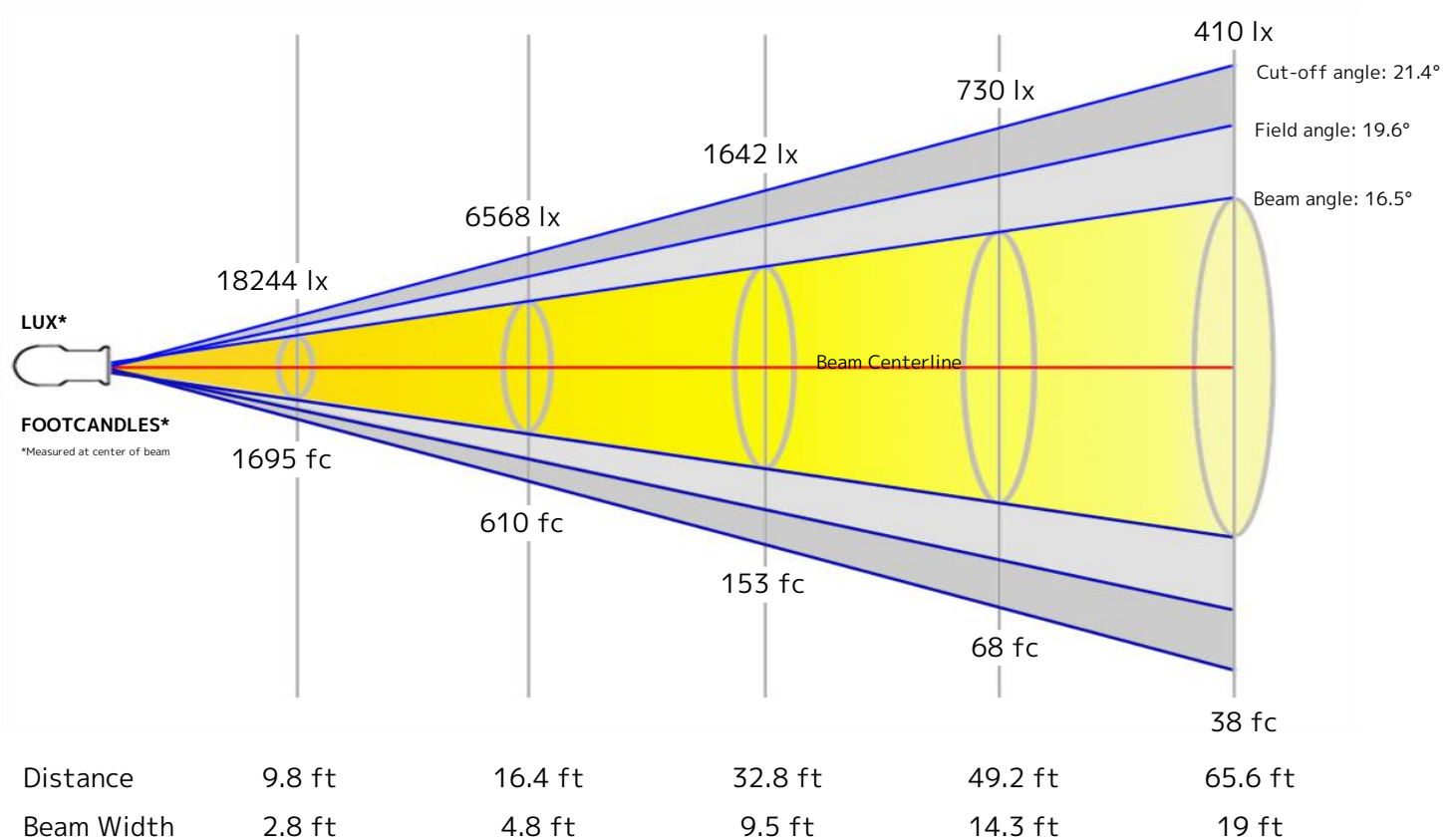
Color Temperature: 4522 K
CRI: 91.7
TLCI: 91
TM30 R_F: 90.9
TM30 R_g: 103.0

Power Details

Efficacy: 20 Lumen/Watt
Power: 530 W
Supply Voltage: 116 V
Current: - A

Beam Details

Distance	3 m	5 m	10 m	15 m	20 m
Beam Width	0.9 m	1.4 m	2.9 m	4.3 m	5.8 m



Beam Intensities from 1-20m

M	1	2	3	4	5	6	7	8	9	10	11	12	13	14	15	16	17	18	19	20
LX	164199	41050	18244	10262	6568	4561	3351	2566	2027	1642	1357	1140	972	838	730	641	568	507	455	410
FT	3.3	6.6	9.8	13.1	16.4	19.7	23	26.2	29.5	32.8	36.1	39.4	42.7	45.9	49.2	52.5	55.8	59.1	62.3	65.6
FC	15254.6	3813.6	1695	953.4	610.2	423.7	311.3	238.4	188.3	152.5	126.1	105.9	90.3	77.8	67.8	59.6	52.8	47.1	42.3	38.1

Key Measurements

Output

Total Lumen Output: 11264 lm
Peak Intensity: 173565 cd

Beam

Beam Angle (50%): 16.8°
Field Angle (10%): 19°
Cutoff Angle (2.5%): 19.4°

Color

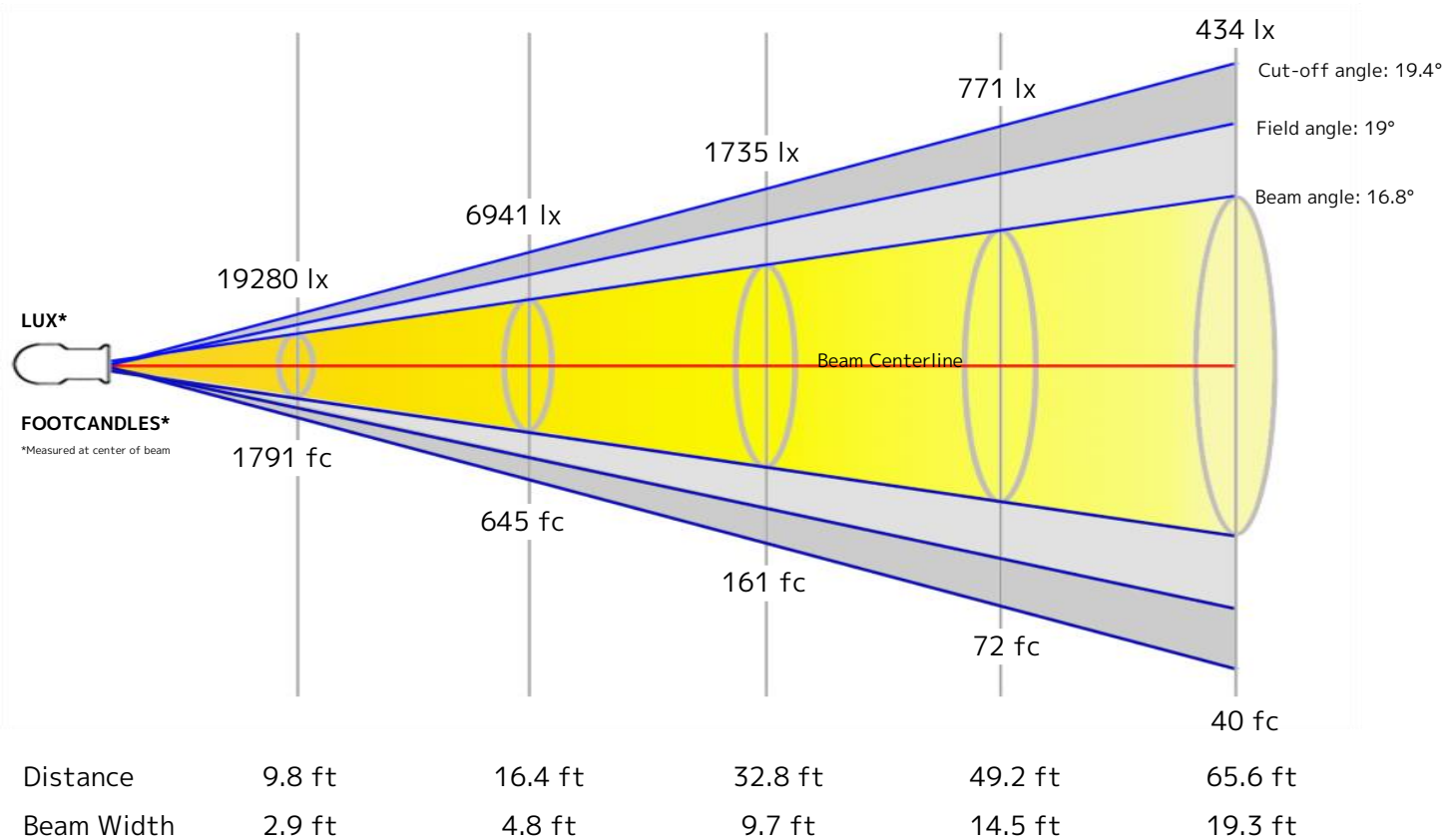
Color Temperature: 5664 K
CRI: 90.4
TLCI: 92
TM30 R_F: 89.6
TM30 R_G: 102.7

Power Details

Efficacy: 31 Lumen/Watt
Power: 360 W
Supply Voltage: 117 V
Current: - A

Beam Details

Distance	3 m	5 m	10 m	15 m	20 m
Beam Width	0.9 m	1.5 m	2.9 m	4.4 m	5.9 m



Beam Intensities from 1-20m

M	1	2	3	4	5	6	7	8	9	10	11	12	13	14	15	16	17	18	19	20
LX	173521	43380	19280	10845	6941	4820	3541	2711	2142	1735	1434	1205	1027	885	771	678	600	536	481	434
FT	3.3	6.6	9.8	13.1	16.4	19.7	23	26.2	29.5	32.8	36.1	39.4	42.7	45.9	49.2	52.5	55.8	59.1	62.3	65.6
FC	16120.6	4030.2	1791.2	1007.5	644.8	447.8	329	251.9	199	161.2	133.2	111.9	95.4	82.2	71.6	63	55.8	49.8	44.7	40.3

Key Measurements

Output

Total Lumen Output: 11436 lm
Peak Intensity: 172020 cd

Beam

Beam Angle (50%): 17.1°
Field Angle (10%): 19°
Cutoff Angle (2.5%): 19.4°

Color

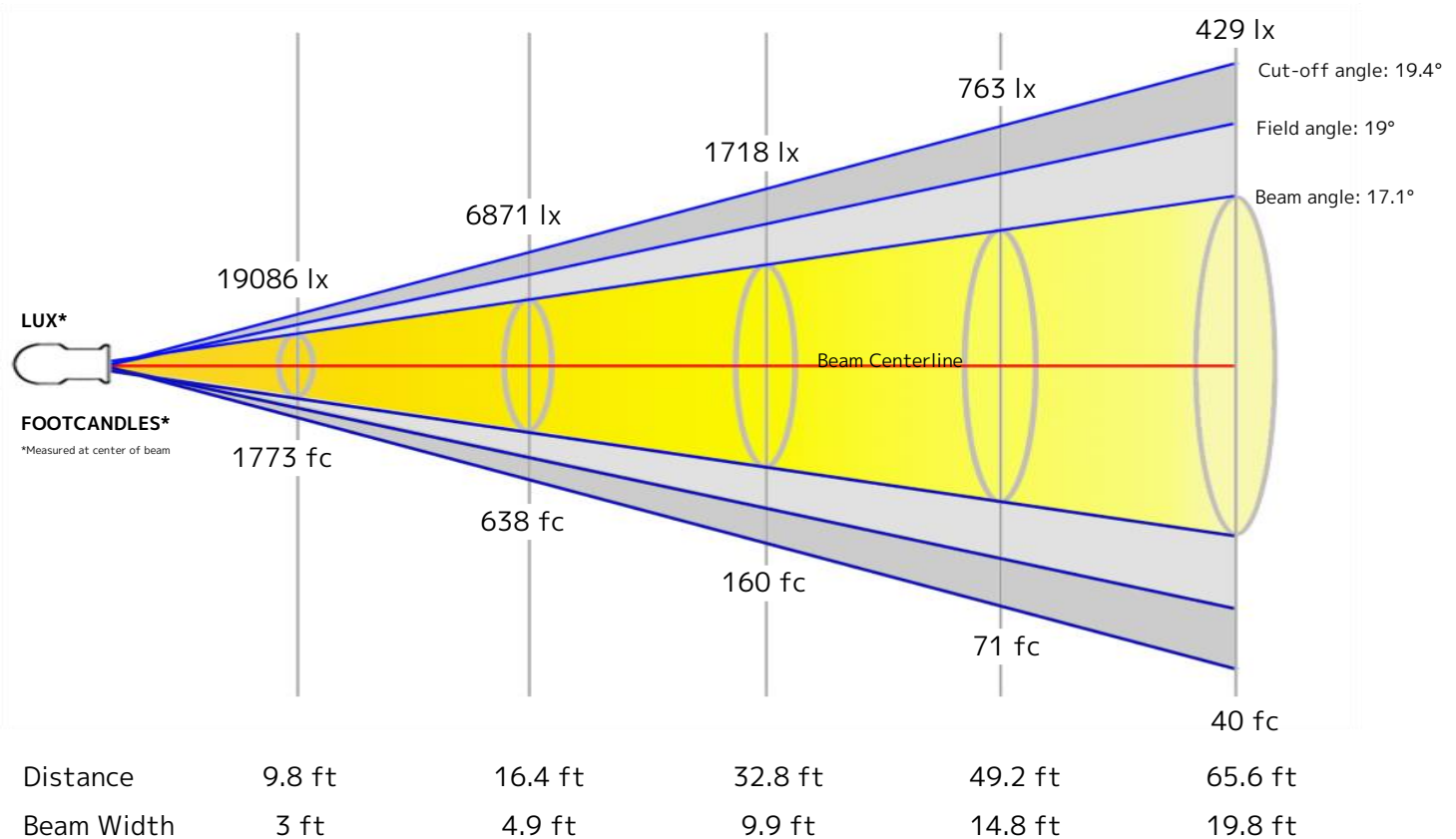
Color Temperature: 6047 K
CRI: 89.7
TLCI: 90
TM30 R_F: 88.4
TM30 R_G: 102.3

Power Details

Efficacy: 32 Lumen/Watt
Power: 360 W
Supply Voltage: 118 V
Current: - A

Beam Details

Distance	3 m	5 m	10 m	15 m	20 m
Beam Width	0.9 m	1.5 m	3 m	4.5 m	6 m



Beam Intensities from 1-20m

M	1	2	3	4	5	6	7	8	9	10	11	12	13	14	15	16	17	18	19	20
LX	171776	42944	19086	10736	6871	4772	3506	2684	2121	1718	1420	1193	1016	876	763	671	594	530	476	429
FT	3.3	6.6	9.8	13.1	16.4	19.7	23	26.2	29.5	32.8	36.1	39.4	42.7	45.9	49.2	52.5	55.8	59.1	62.3	65.6
FC	15958.5	3989.6	1773.2	997.4	638.3	443.3	325.7	249.4	197	159.6	131.9	110.8	94.4	81.4	70.9	62.3	55.2	49.3	44.2	39.9

Key Measurements

Output

Total Lumen Output: 11327 lm
Peak Intensity: 169804 cd

Beam

Beam Angle (50%): 16.6°
Field Angle (10%): 20.1°
Cutoff Angle (2.5%): 21.5°

Color

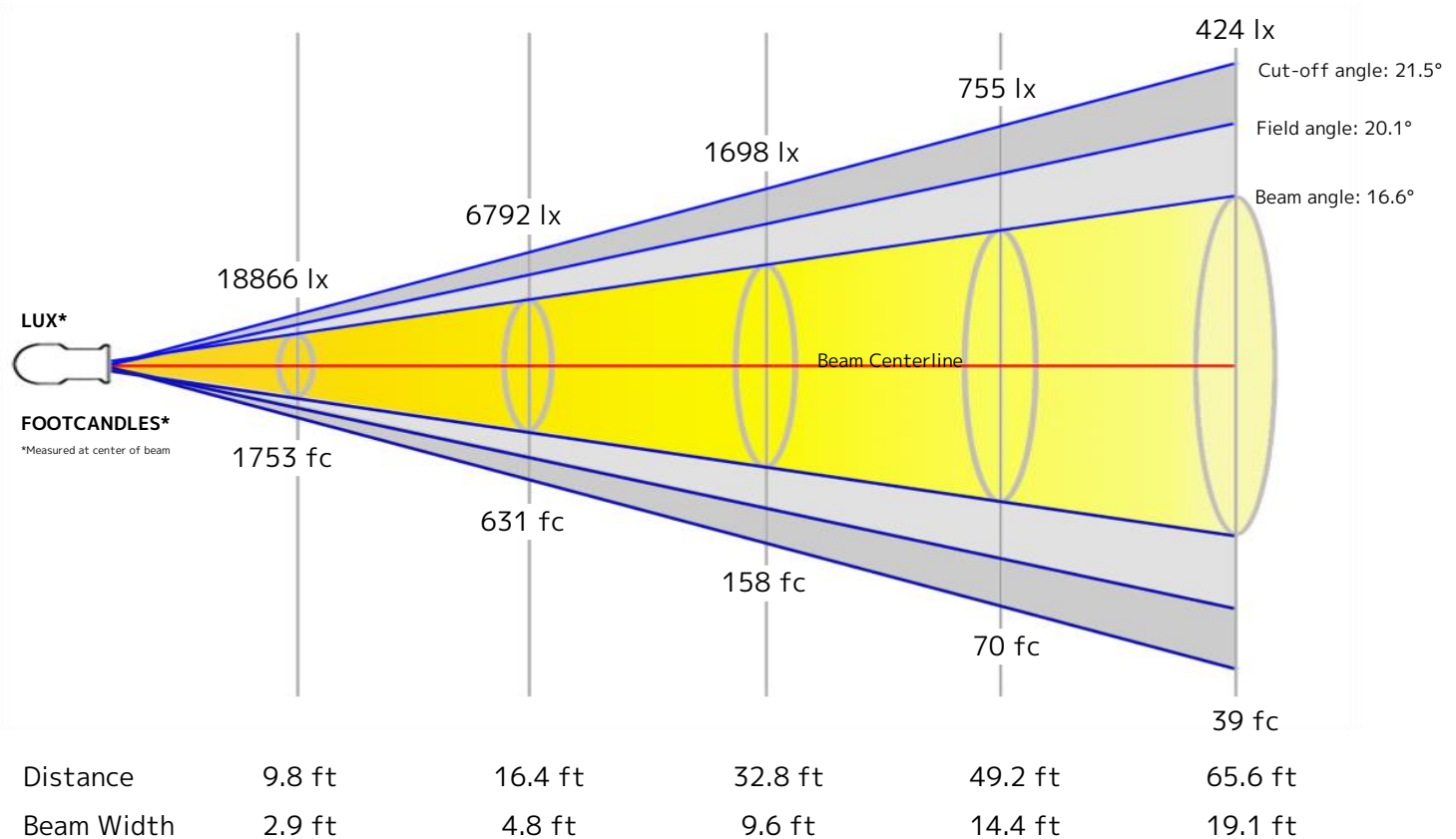
Color Temperature: 6477 K
CRI: 89.3
TLCI: 90
TM30 R_F: 87.9
TM30 R_g: 101.7

Power Details

Efficacy: 31 Lumen/Watt
Power: 360 W
Supply Voltage: 118 V
Current: - A

Beam Details

Distance	3 m	5 m	10 m	15 m	20 m
Beam Width	0.9 m	1.5 m	2.9 m	4.4 m	5.8 m



Beam Intensities from 1-20m

M	1	2	3	4	5	6	7	8	9	10	11	12	13	14	15	16	17	18	19	20
LX	169796	42449	18866	10612	6792	4717	3465	2653	2096	1698	1403	1179	1005	866	755	663	588	524	470	424
FT	3.3	6.6	9.8	13.1	16.4	19.7	23	26.2	29.5	32.8	36.1	39.4	42.7	45.9	49.2	52.5	55.8	59.1	62.3	65.6
FC	15774.6	3943.6	1752.7	985.9	631	438.2	321.9	246.5	194.7	157.7	130.4	109.5	93.3	80.5	70.1	61.6	54.6	48.7	43.7	39.4

Key Measurements

Output

Total Lumen Output: 10515 lm
Peak Intensity: 327415 cd

Beam

Beam Angle (50%): 11.7°
Field Angle (10%): 14°
Cutoff Angle (2.5%): 15.9°

Color

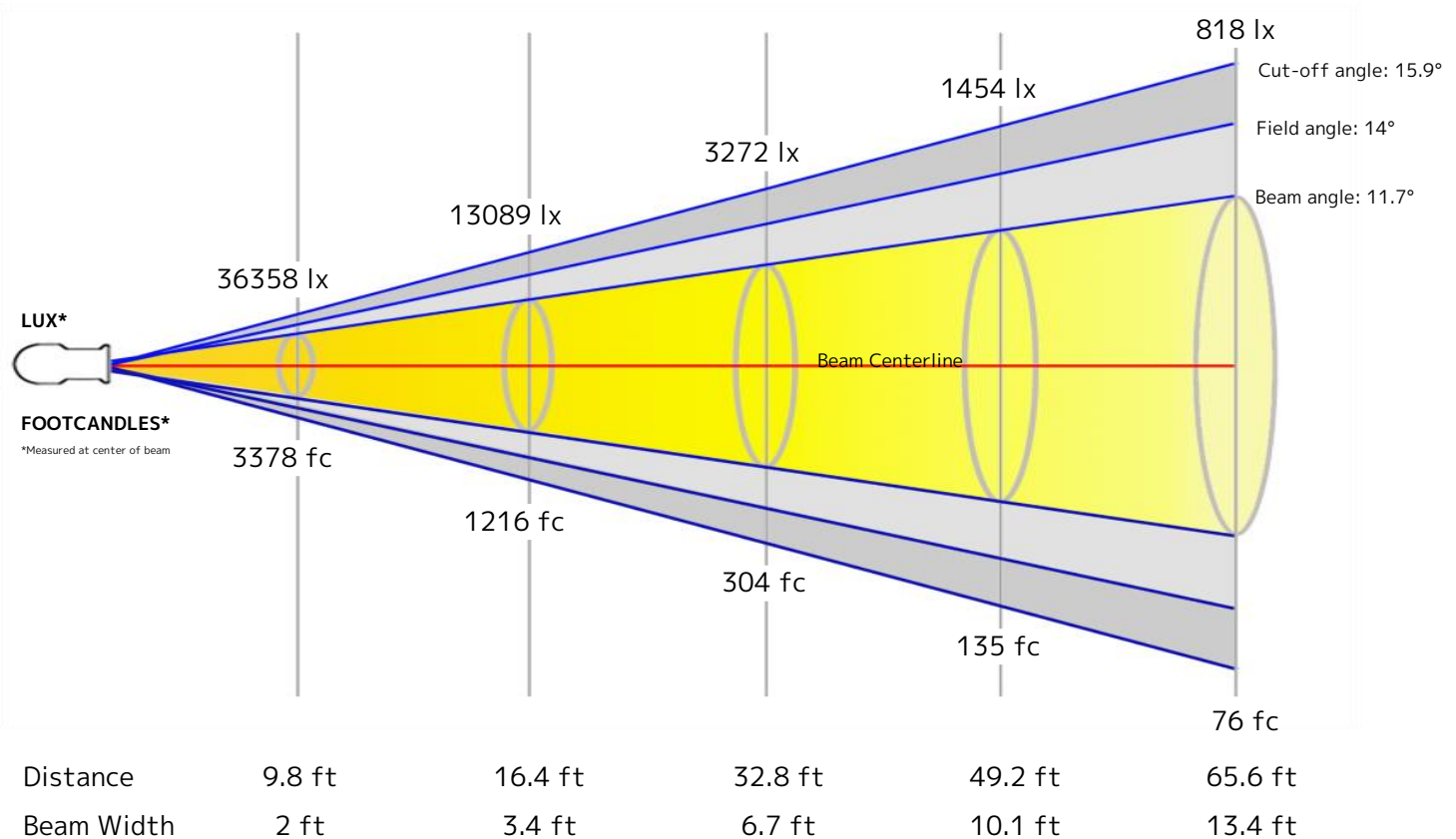
Color Temperature: 5638 K
CRI: 89.3
TLCI: 91
TM30 R_F: 89.2
TM30 R_G: 101.6

Power Details

Efficacy: 29 Lumen/Watt
Power: 363 W
Supply Voltage: 118 V
Current: - A

Beam Details

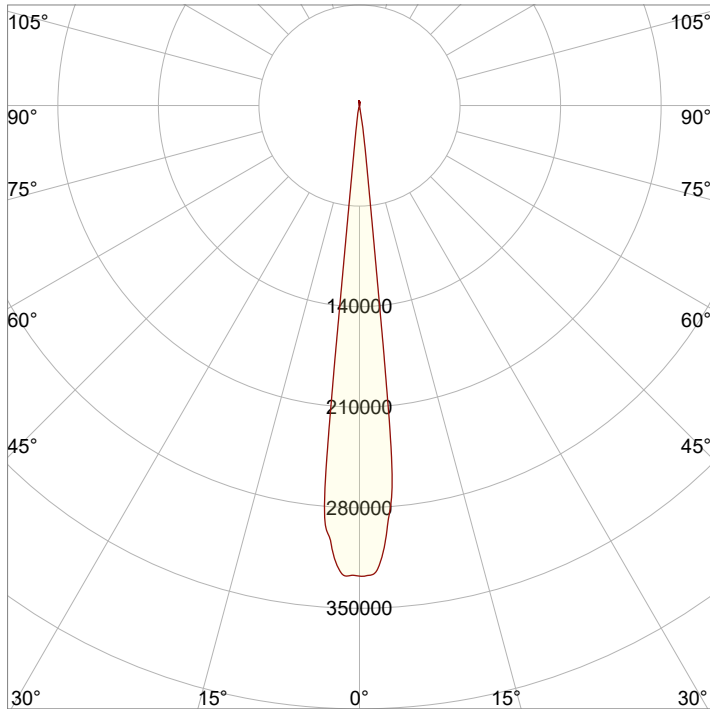
Distance	3 m	5 m	10 m	15 m	20 m
Beam Width	0.6 m	1 m	2.1 m	3.1 m	4.1 m



Beam Intensities from 1-20m

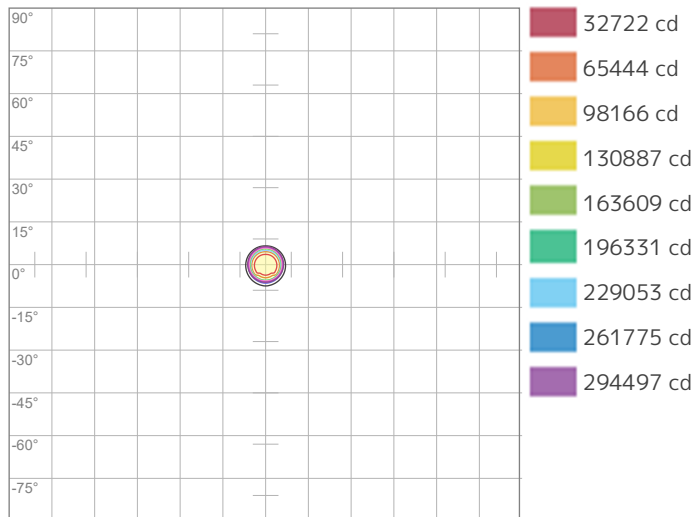
M	1	2	3	4	5	6	7	8	9	10	11	12	13	14	15	16	17	18	19	20
LX	327218	81805	36358	20451	13089	9089	6678	5113	4040	3272	2704	2272	1936	1669	1454	1278	1132	1010	906	818
FT	3.3	6.6	9.8	13.1	16.4	19.7	23	26.2	29.5	32.8	36.1	39.4	42.7	45.9	49.2	52.5	55.8	59.1	62.3	65.6
FC	30399.6	7599.9	3377.7	1900	1216	844.4	620.4	475	375.3	304	251.2	211.1	179.9	155.1	135.1	118.7	105.2	93.8	84.2	76

Angular Distribution



Beam Angle - 50%
11.7°
Field Angle - 10%
14°
Cutoff Angle - 2.5%
15.9°

ISO Diagrams

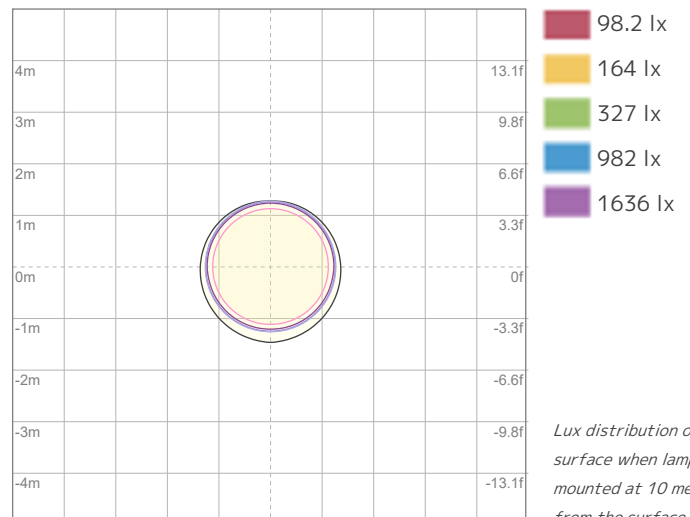


ISO Candela Diagram

Conditions:

Number of c-planes: 2

Candela at center: 327218 cd



ISO LUX Diagram

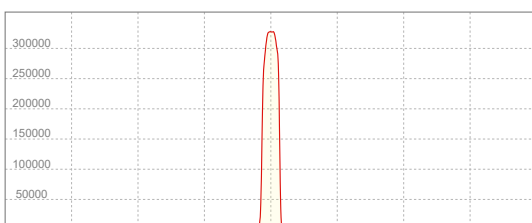
Conditions:

Number of c-planes: 2

LUX at center: 3272 lx

Lux distribution on a surface when lamp is mounted at 10 meters from the surface.

Linear Distribution



Peak Candela
327415 cd

Calculate Center Beam Intensities

$$\text{lux} = 327415 / \text{distance(m)}^2$$

$$\text{fc} = 327415 / \text{distance(ft)}^2$$

Key Measurements

Output

Total Lumen Output: 6496 lm
Peak Intensity: 202740 cd

Beam

Beam Angle (50%): 11.7°
Field Angle (10%): 14.1°
Cutoff Angle (2.5%): 15.5°

Color

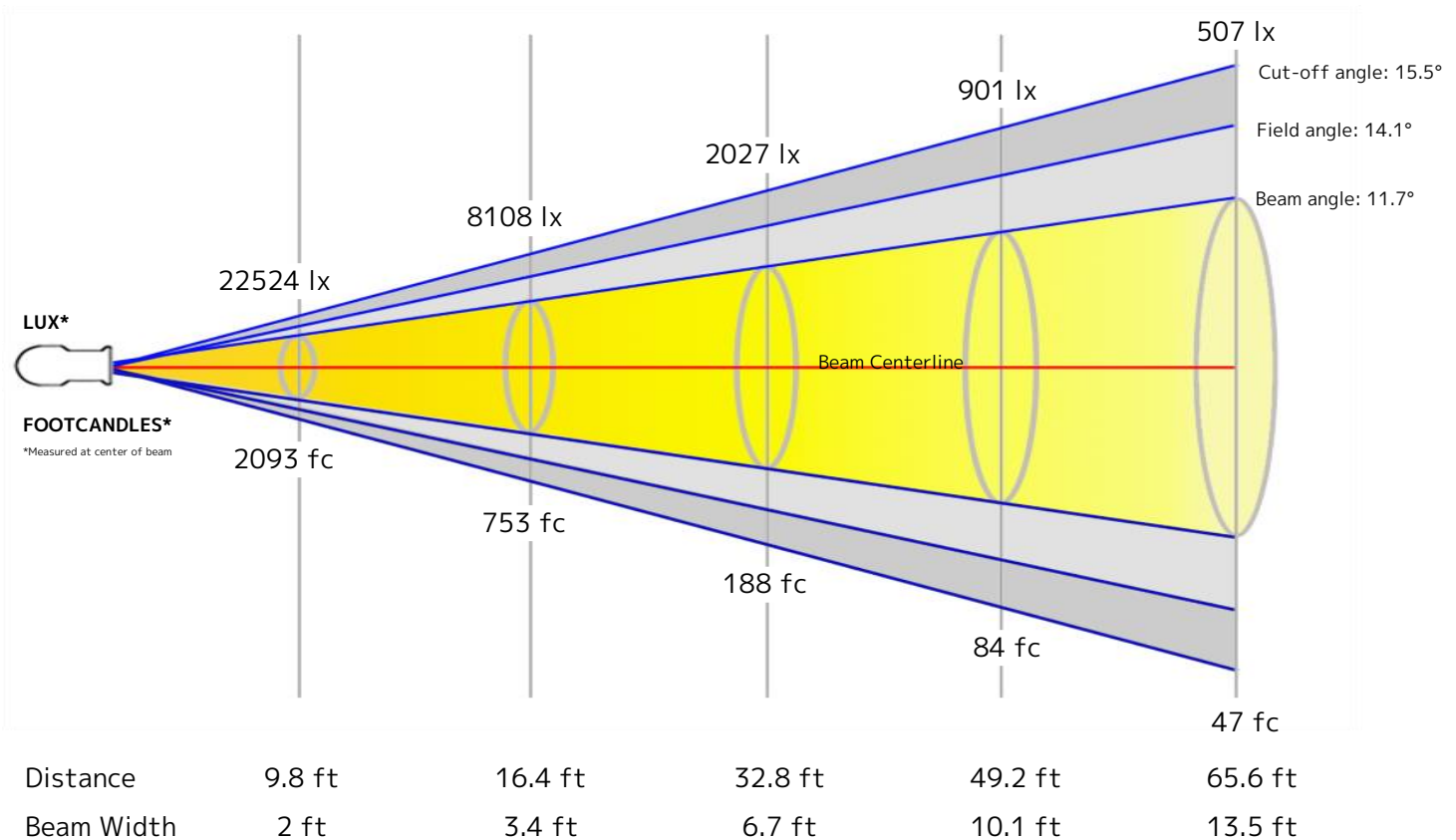
Color Temperature: 2750 K
CRI: 93.4
TLCI: 88
TM30 R_F: 93.9
TM30 R_g: 103.6

Power Details

Efficacy: 28 Lumen/Watt
Power: 235 W
Supply Voltage: 116 V
Current: - A

Beam Details

Distance	3 m	5 m	10 m	15 m	20 m
Beam Width	0.6 m	1 m	2.1 m	3.1 m	4.1 m



Beam Intensities from 1-20m

M	1	2	3	4	5	6	7	8	9	10	11	12	13	14	15	16	17	18	19	20
LX	202712	50678	22524	12670	8108	5631	4137	3167	2503	2027	1675	1408	1199	1034	901	792	701	626	562	507
FT	3.3	6.6	9.8	13.1	16.4	19.7	23	26.2	29.5	32.8	36.1	39.4	42.7	45.9	49.2	52.5	55.8	59.1	62.3	65.6
FC	18832.6	4708.1	2092.5	1177	753.3	523.1	384.3	294.3	232.5	188.3	155.6	130.8	111.4	96.1	83.7	73.6	65.2	58.1	52.2	47.1

Key Measurements

Output

Total Lumen Output: 7738 lm
Peak Intensity: 241957 cd

Beam

Beam Angle (50%): 11.7°
Field Angle (10%): 13.9°
Cutoff Angle (2.5%): 15.9°

Color

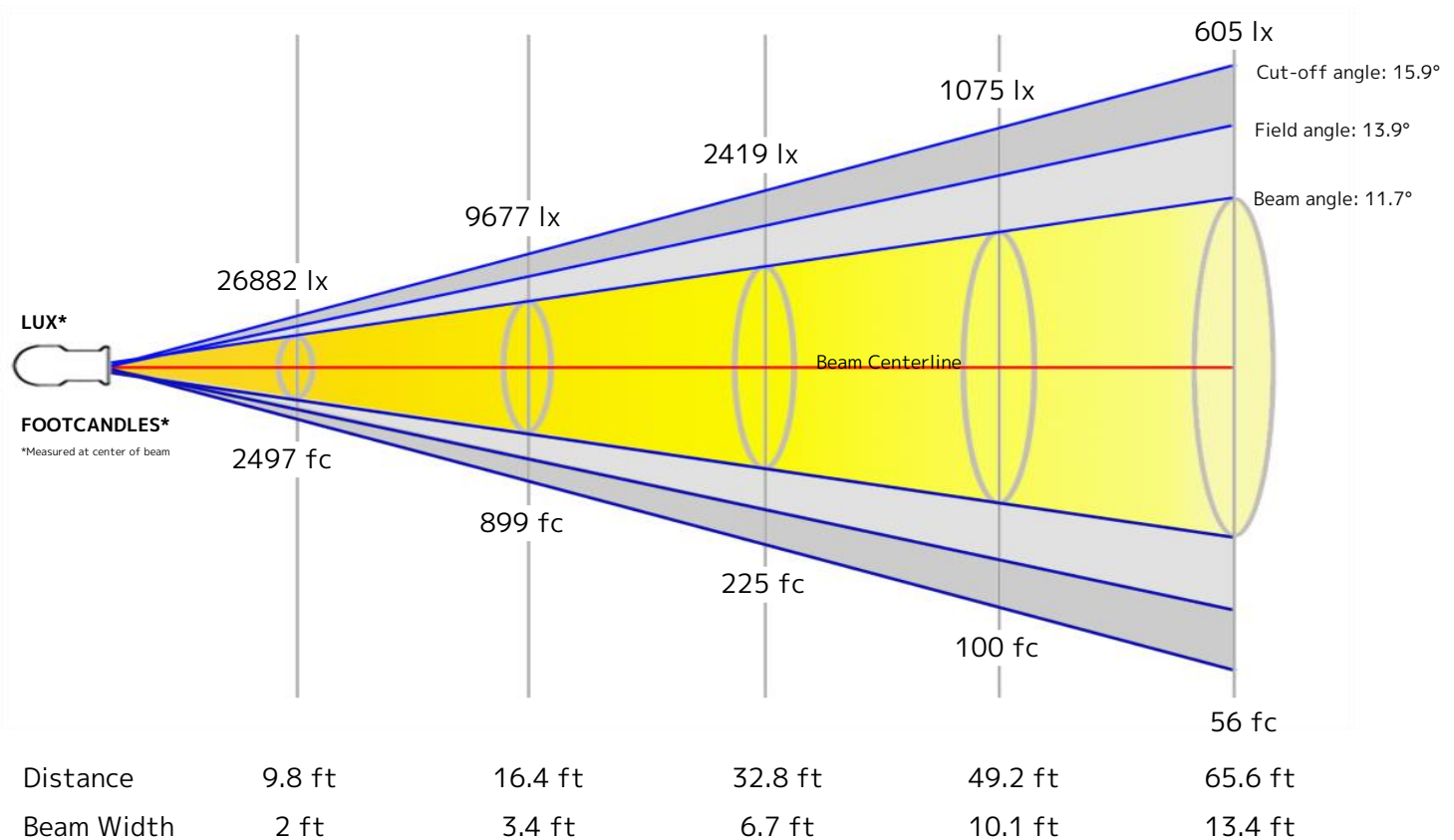
Color Temperature: 3197 K
CRI: 93.1
TLCI: 91
TM30 R_F: 93.7
TM30 R_g: 103.3

Power Details

Efficacy: 28 Lumen/Watt
Power: 276 W
Supply Voltage: 116 V
Current: - A

Beam Details

Distance	3 m	5 m	10 m	15 m	20 m
Beam Width	0.6 m	1 m	2 m	3.1 m	4.1 m



Beam Intensities from 1-20m

M	1	2	3	4	5	6	7	8	9	10	11	12	13	14	15	16	17	18	19	20
LX	241935	60484	26882	15121	9677	6720	4937	3780	2987	2419	1999	1680	1432	1234	1075	945	837	747	670	605
FT	3.3	6.6	9.8	13.1	16.4	19.7	23	26.2	29.5	32.8	36.1	39.4	42.7	45.9	49.2	52.5	55.8	59.1	62.3	65.6
FC	22476.5	5619.1	2497.4	1404.8	899.1	624.3	458.7	351.2	277.5	224.8	185.8	156.1	133	114.7	99.9	87.8	77.8	69.4	62.3	56.2

Key Measurements

Output

Total Lumen Output: 9981 lm
Peak Intensity: 310774 cd

Beam

Beam Angle (50%): 12.2°
Field Angle (10%): 13.6°
Cutoff Angle (2.5%): 13.9°

Color

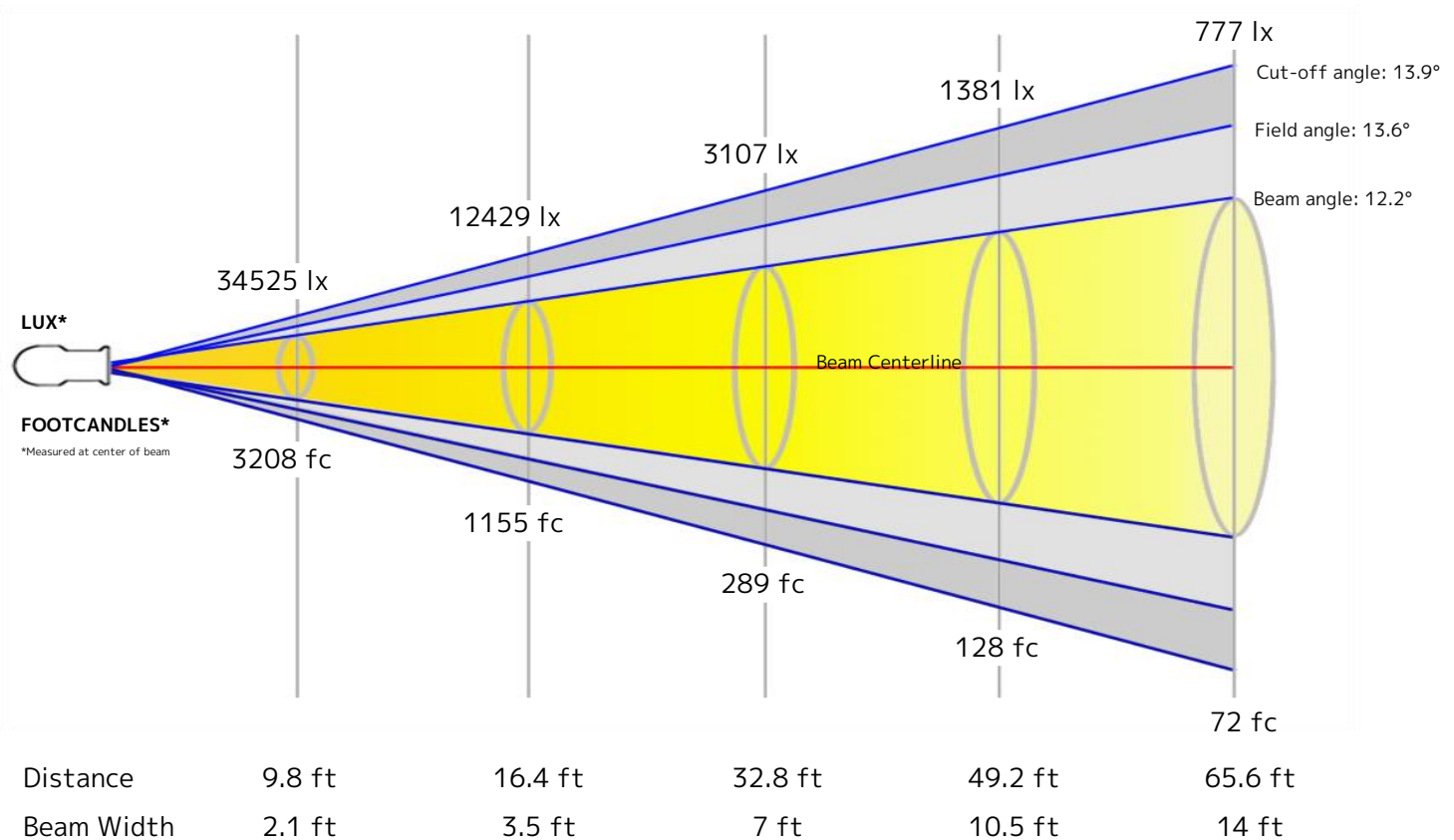
Color Temperature: 4518 K
CRI: 91.7
TLCI: 91
TM30 R_F: 90.9
TM30 R_G: 103.0

Power Details

Efficacy: 30 Lumen/Watt
Power: 330 W
Supply Voltage: 116 V
Current: - A

Beam Details

Distance	3 m	5 m	10 m	15 m	20 m
Beam Width	0.6 m	1.1 m	2.1 m	3.2 m	4.3 m



Beam Intensities from 1-20m

M	1	2	3	4	5	6	7	8	9	10	11	12	13	14	15	16	17	18	19	20
LX	310729	77682	34525	19421	12429	8631	6341	4855	3836	3107	2568	2158	1839	1585	1381	1214	1075	959	861	777
FT	3.3	6.6	9.8	13.1	16.4	19.7	23	26.2	29.5	32.8	36.1	39.4	42.7	45.9	49.2	52.5	55.8	59.1	62.3	65.6
FC	28867.6	7216.9	3207.5	1804.2	1154.7	801.9	589.1	451.1	356.4	288.7	238.6	200.5	170.8	147.3	128.3	112.8	99.9	89.1	80	72.2

Key Measurements

Output

Total Lumen Output: 10402 lm
Peak Intensity: 326257 cd

Beam

Beam Angle (50%): 11.9°
Field Angle (10%): 13.6°
Cutoff Angle (2.5%): 14.5°

Color

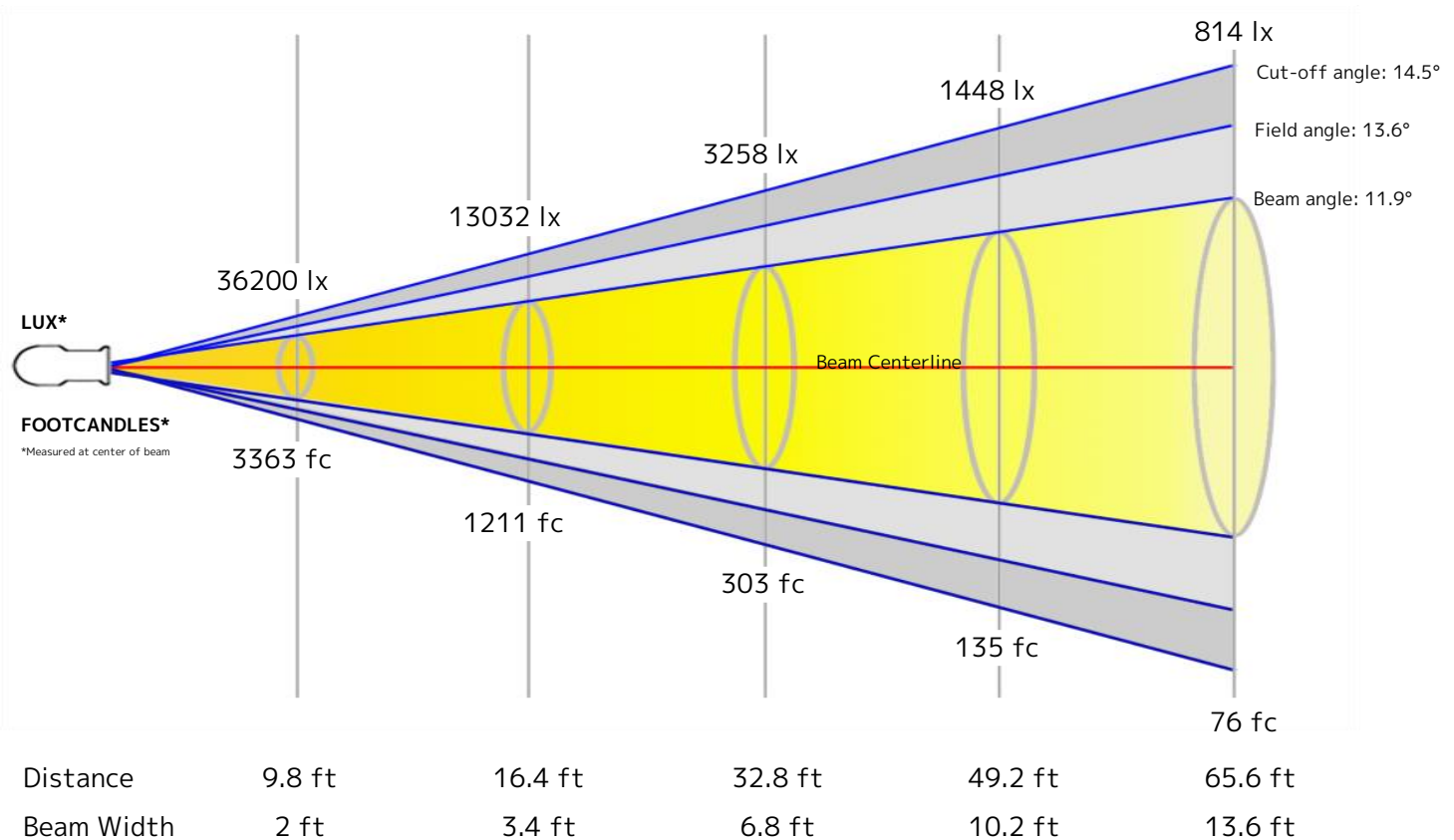
Color Temperature: 5559 K
CRI: 90.4
TLCI: 91
TM30 R_F: 89.6
TM30 R_g: 102.7

Power Details

Efficacy: 29 Lumen/Watt
Power: 360 W
Supply Voltage: 117 V
Current: - A

Beam Details

Distance	3 m	5 m	10 m	15 m	20 m
Beam Width	0.6 m	1 m	2.1 m	3.1 m	4.2 m



Beam Intensities from 1-20m

M	1	2	3	4	5	6	7	8	9	10	11	12	13	14	15	16	17	18	19	20
LX	325796	81449	36200	20362	13032	9050	6649	5091	4022	3258	2693	2262	1928	1662	1448	1273	1127	1006	902	814
FT	3.3	6.6	9.8	13.1	16.4	19.7	23	26.2	29.5	32.8	36.1	39.4	42.7	45.9	49.2	52.5	55.8	59.1	62.3	65.6
FC	30267.4	7566.9	3363	1891.7	1210.7	840.8	617.7	472.9	373.7	302.7	250.1	210.2	179.1	154.4	134.5	118.2	104.7	93.4	83.8	75.7

Key Measurements

Output

Total Lumen Output: 10129 lm
Peak Intensity: 314650 cd

Beam

Beam Angle (50%): 11.8°
Field Angle (10%): 14.2°
Cutoff Angle (2.5%): 14.8°

Color

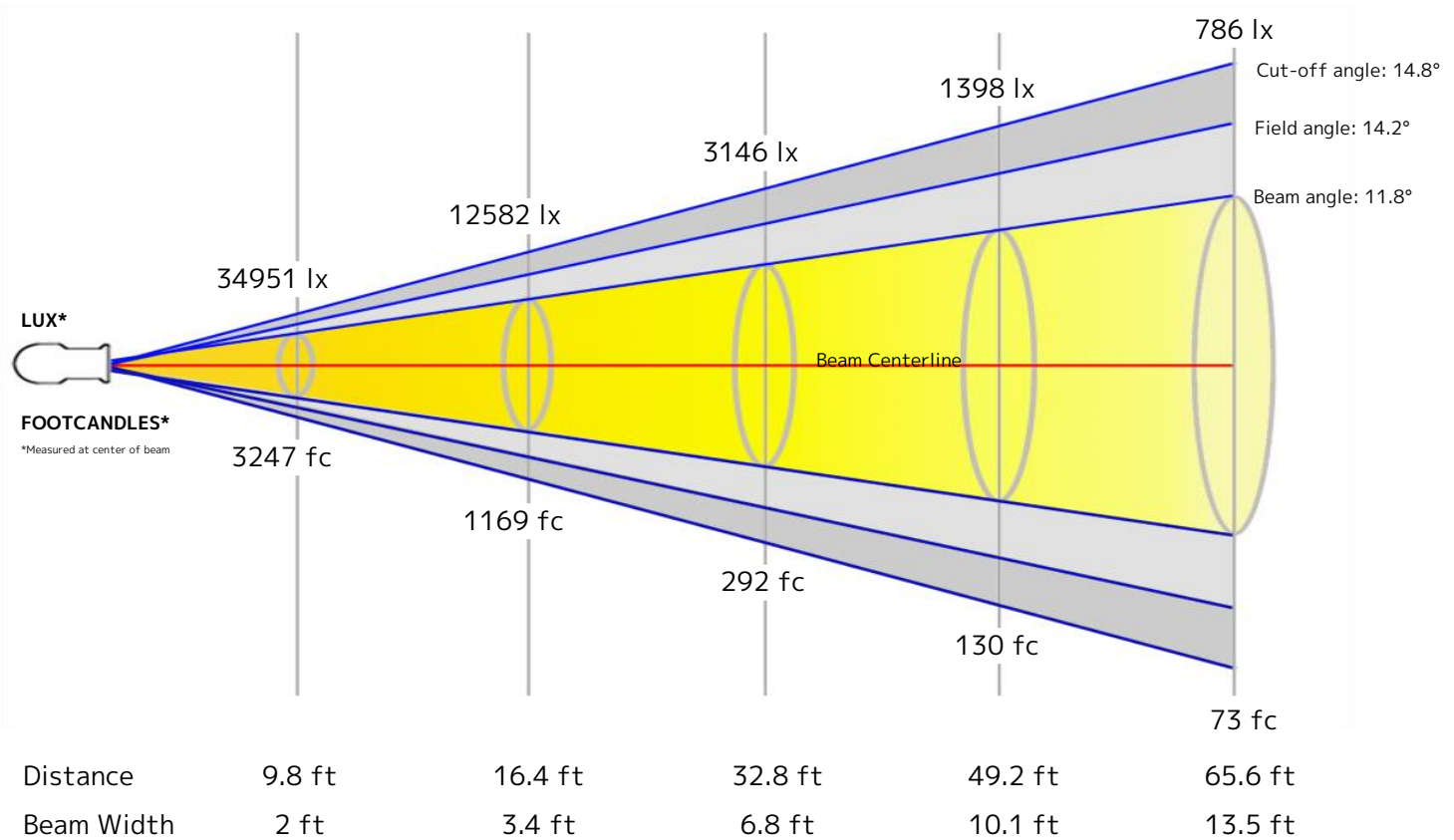
Color Temperature: 5962 K
CRI: 90.1
TLCI: 91
TM30 R_F: 89.2
TM30 R_G: 102.6

Power Details

Efficacy: 28 Lumen/Watt
Power: 360 W
Supply Voltage: 117 V
Current: - A

Beam Details

Distance	3 m	5 m	10 m	15 m	20 m
Beam Width	0.6 m	1 m	2.1 m	3.1 m	4.1 m



Beam Intensities from 1-20m

M	1	2	3	4	5	6	7	8	9	10	11	12	13	14	15	16	17	18	19	20
LX	314560	78640	34951	19660	12582	8738	6420	4915	3883	3146	2600	2184	1861	1605	1398	1229	1088	971	871	786
FT	3.3	6.6	9.8	13.1	16.4	19.7	23	26.2	29.5	32.8	36.1	39.4	42.7	45.9	49.2	52.5	55.8	59.1	62.3	65.6
FC	29223.6	7305.9	3247.1	1826.5	1168.9	811.8	596.4	456.6	360.8	292.2	241.5	202.9	172.9	149.1	129.9	114.2	101.1	90.2	81	73.1

Key Measurements

Output

Total Lumen Output: 10356 lm
Peak Intensity: 321941 cd

Beam

Beam Angle (50%): 11.7°
Field Angle (10%): 14°
Cutoff Angle (2.5%): 15.8°

Color

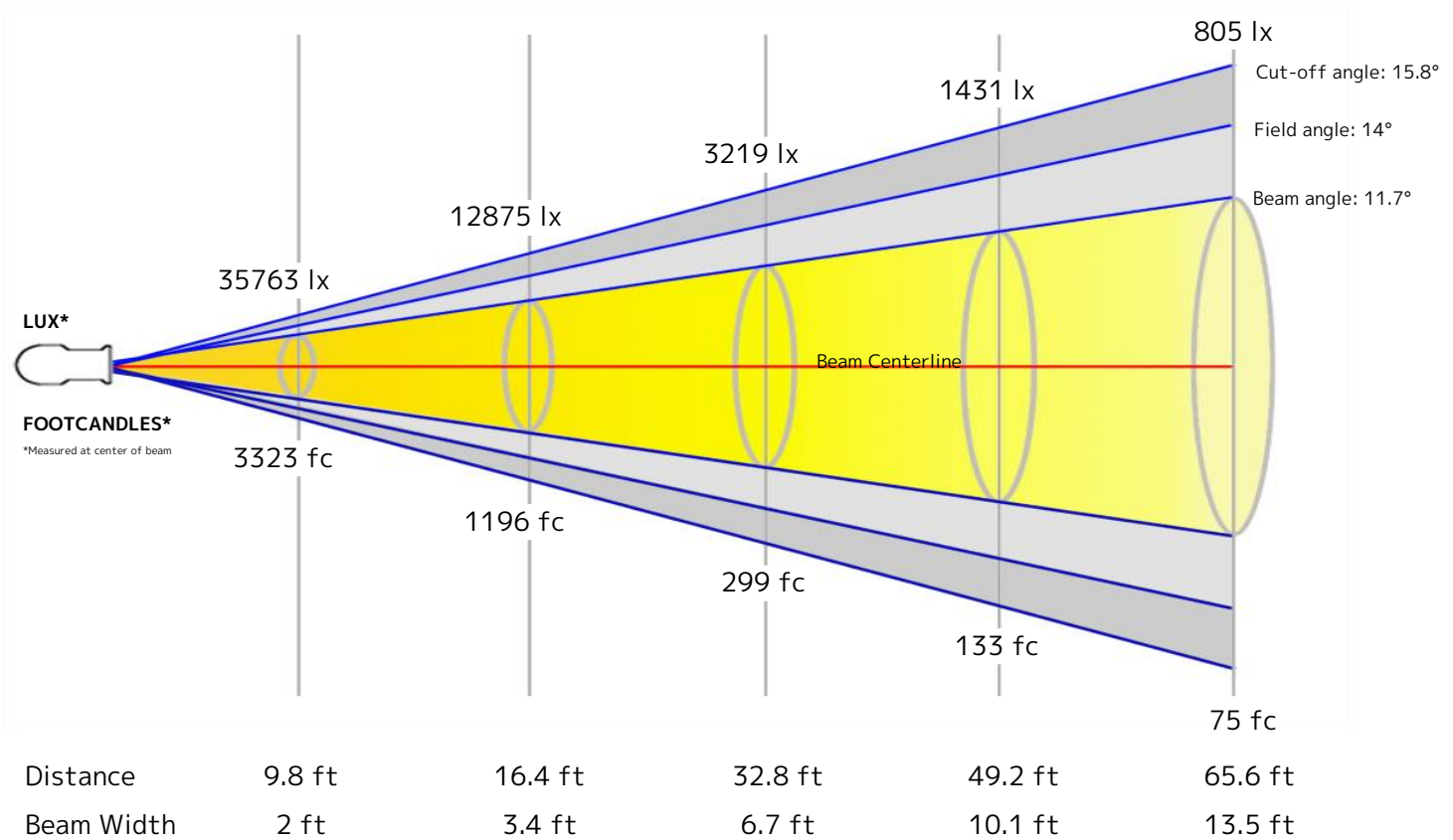
Color Temperature: 6512 K
CRI: 89.5
TLCI: 91
TM30 R_F: 88.2
TM30 R_g: 101.5

Power Details

Efficacy: 29 Lumen/Watt
Power: 360 W
Supply Voltage: 118 V
Current: - A

Beam Details

Distance	3 m	5 m	10 m	15 m	20 m
Beam Width	0.6 m	1 m	2.1 m	3.1 m	4.1 m



Beam Intensities from 1-20m

M	1	2	3	4	5	6	7	8	9	10	11	12	13	14	15	16	17	18	19	20
LX	321869	80467	35763	20117	12875	8941	6569	5029	3974	3219	2660	2235	1905	1642	1431	1257	1114	993	892	805
FT	3.3	6.6	9.8	13.1	16.4	19.7	23	26.2	29.5	32.8	36.1	39.4	42.7	45.9	49.2	52.5	55.8	59.1	62.3	65.6
FC	29902.6	7475.7	3322.5	1868.9	1196.1	830.6	610.3	467.2	369.2	299	247.1	207.7	176.9	152.6	132.9	116.8	103.5	92.3	82.8	74.8

Key Measurements

Output

Total Lumen Output: 9102 lm
Peak Intensity: 566872 cd

Beam

Beam Angle (50%): 9°
Field Angle (10%): 9.8°
Cutoff Angle (2.5%): 9.9°

Color

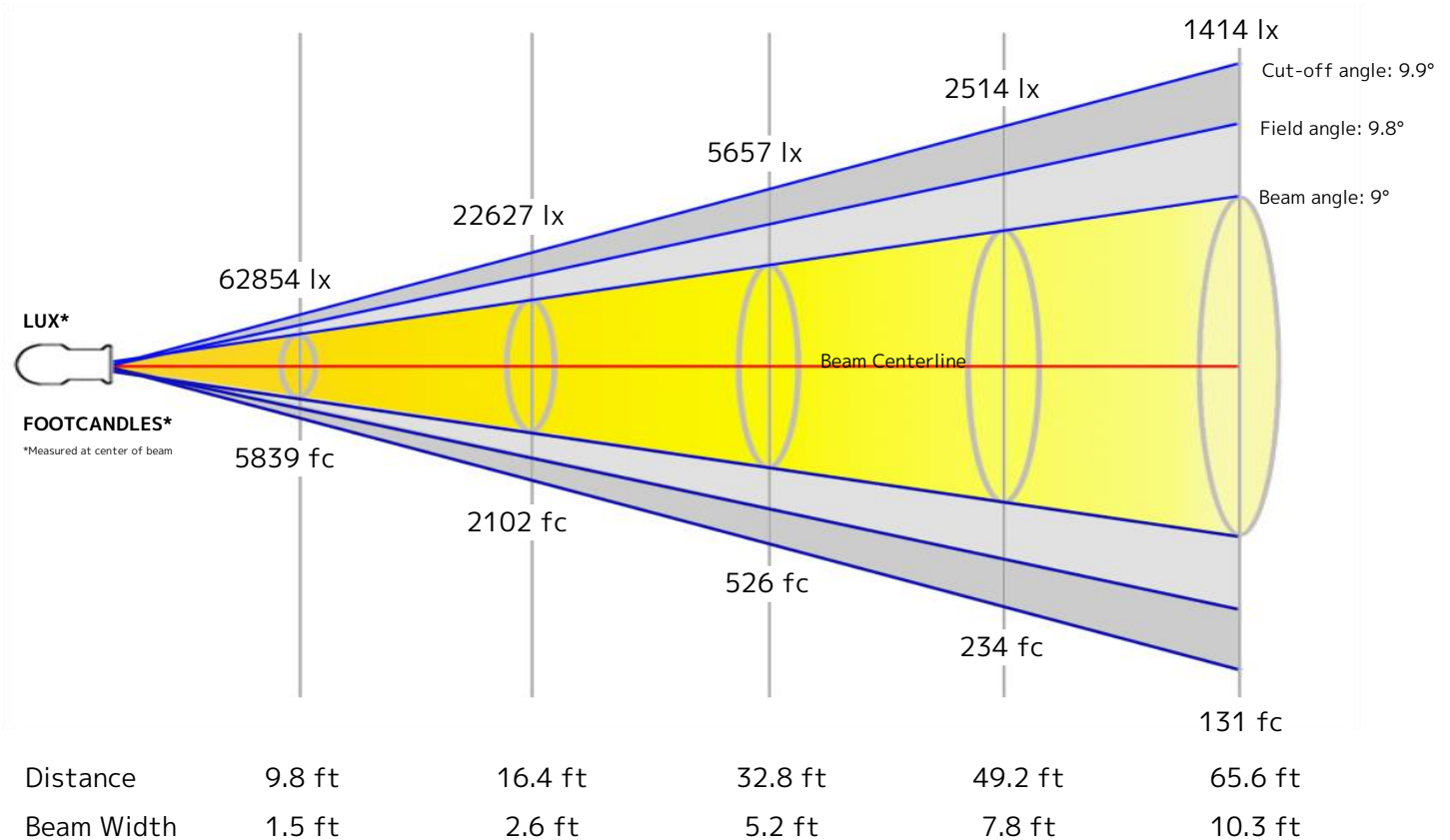
Color Temperature: 5617 K
CRI: 89.6
TLCI: 91
TM30 R_F: 89.4
TM30 R_g: 101.9

Power Details

Efficacy: 25 Lumen/Watt
Power: 363 W
Supply Voltage: 118 V
Current: - A

Beam Details

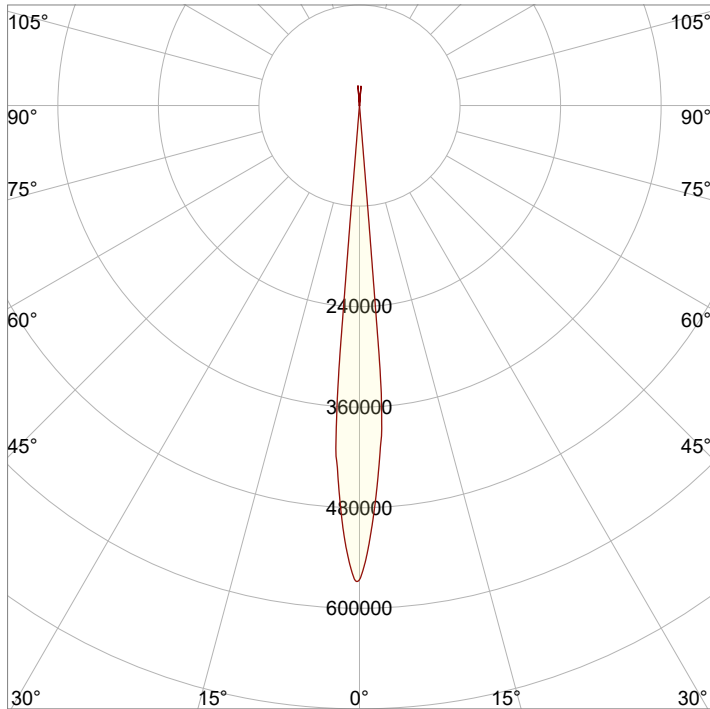
Distance	3 m	5 m	10 m	15 m	20 m
Beam Width	0.5 m	0.8 m	1.6 m	2.4 m	3.2 m



Beam Intensities from 1-20m

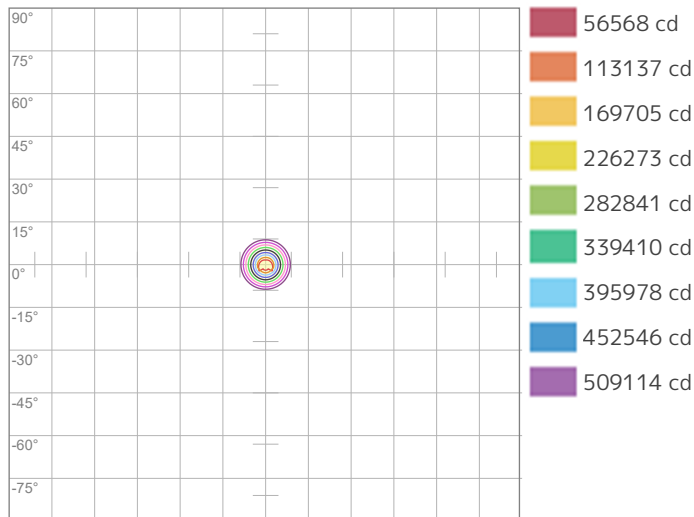
M	1	2	3	4	5	6	7	8	9	10	11	12	13	14	15	16	17	18	19	20
LX	565683	141421	62854	35355	22627	15713	11545	8839	6984	5657	4675	3928	3347	2886	2514	2210	1957	1746	1567	1414
FT	3.3	6.6	9.8	13.1	16.4	19.7	23	26.2	29.5	32.8	36.1	39.4	42.7	45.9	49.2	52.5	55.8	59.1	62.3	65.6
FC	52553.6	13138.4	5839.3	3284.6	2102.1	1459.8	1072.5	821.2	648.8	525.5	434.3	365	311	268.1	233.6	205.3	181.8	162.2	145.6	131.4

Angular Distribution



Beam Angle - 50%
9°
Field Angle - 10%
9.8°
Cutoff Angle - 2.5%
9.9°

ISO Diagrams

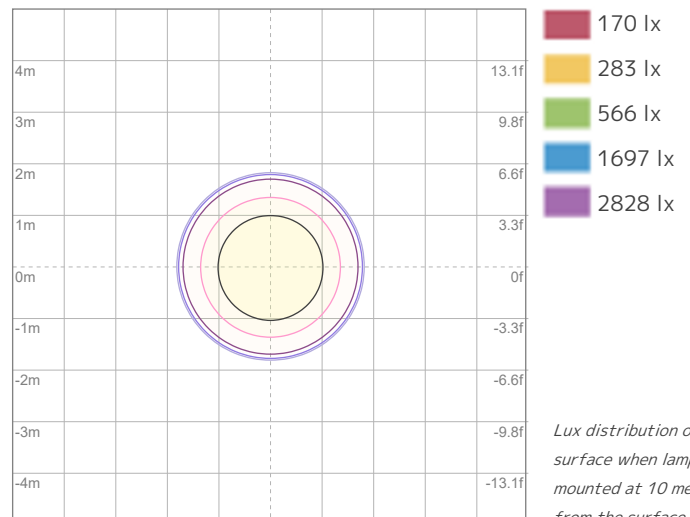


ISO Candela Diagram

Conditions:

Number of c-planes: 2

Candela at center: 565683 cd



ISO LUX Diagram

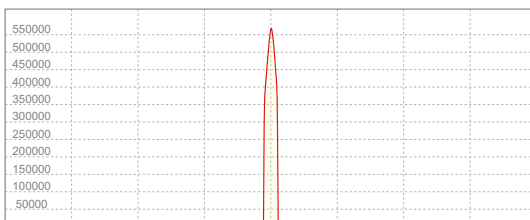
Conditions:

Number of c-planes: 2

LUX at center: 5657 lx

Lux distribution on a surface when lamp is mounted at 10 meters from the surface.

Linear Distribution



Peak Candela
566872 cd

Calculate Center Beam Intensities

$$\text{lux} = 566872 / \text{distance(m)}^2$$

$$\text{fc} = 566872 / \text{distance(ft)}^2$$

Key Measurements

Output

Total Lumen Output: 5606 lm
Peak Intensity: 344464 cd

Beam

Beam Angle (50%): 8.6°
Field Angle (10%): 10.4°
Cutoff Angle (2.5%): 10.9°

Color

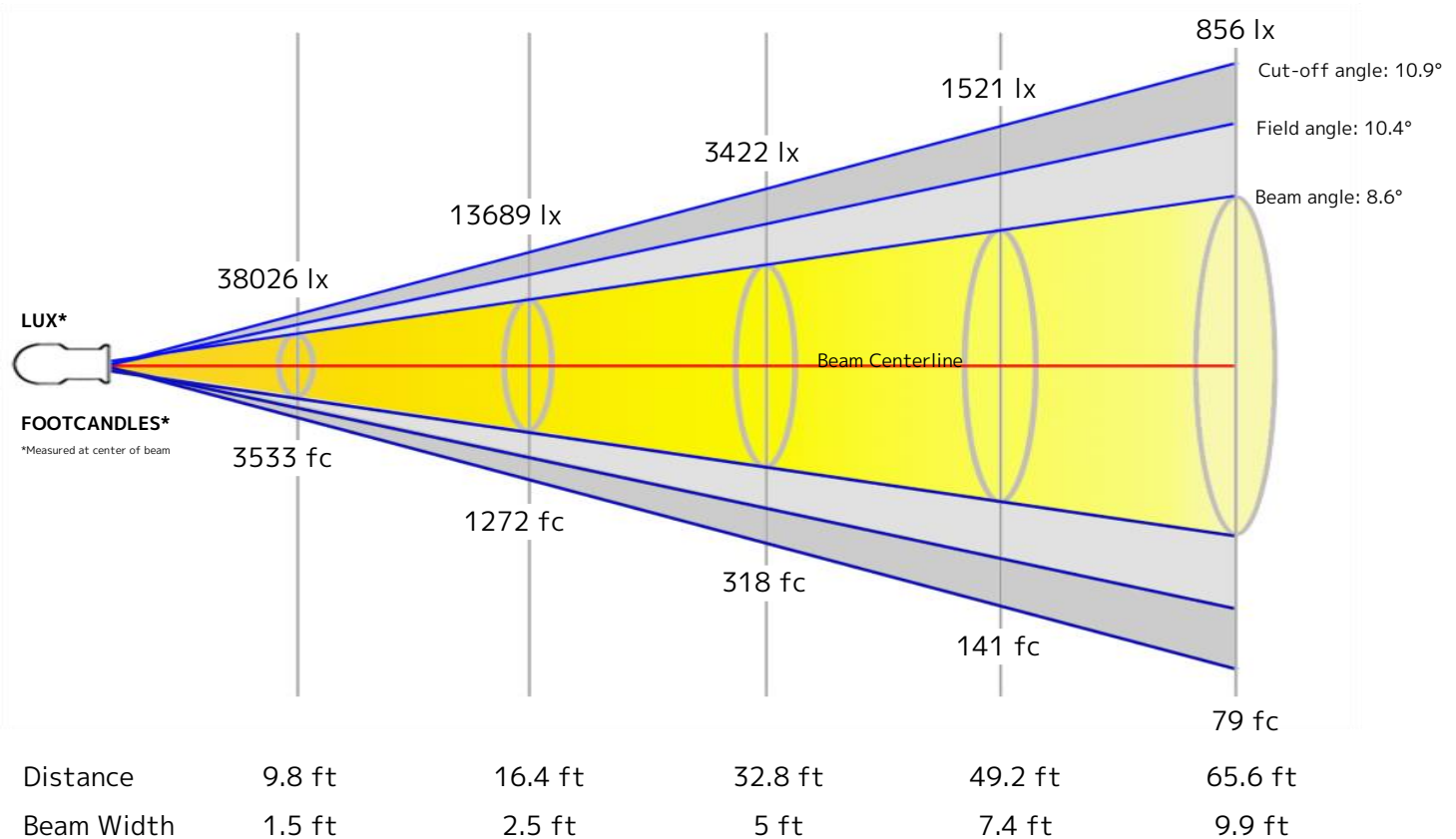
Color Temperature: 2749 K
CRI: 94.3
TLCI: 88
TM30 R_F: 94.0
TM30 R_g: 103.2

Power Details

Efficacy: 24 Lumen/Watt
Power: 235 W
Supply Voltage: 119 V
Current: - A

Beam Details

Distance	3 m	5 m	10 m	15 m	20 m
Beam Width	0.5 m	0.8 m	1.5 m	2.3 m	3 m



Beam Intensities from 1-20m

M	1	2	3	4	5	6	7	8	9	10	11	12	13	14	15	16	17	18	19	20
LX	342234	85559	38026	21390	13689	9507	6984	5347	4225	3422	2828	2377	2025	1746	1521	1337	1184	1056	948	856
FT	3.3	6.6	9.8	13.1	16.4	19.7	23	26.2	29.5	32.8	36.1	39.4	42.7	45.9	49.2	52.5	55.8	59.1	62.3	65.6
FC	31794.6	7948.7	3532.7	1987.2	1271.8	883.2	648.9	496.8	392.5	317.9	262.8	220.8	188.1	162.2	141.3	124.2	110	98.1	88.1	79.5

Key Measurements

Output

Total Lumen Output: 7016 lm
Peak Intensity: 440731 cd

Beam

Beam Angle (50%): 8.8°
Field Angle (10%): 9.8°
Cutoff Angle (2.5%): 10.3°

Color

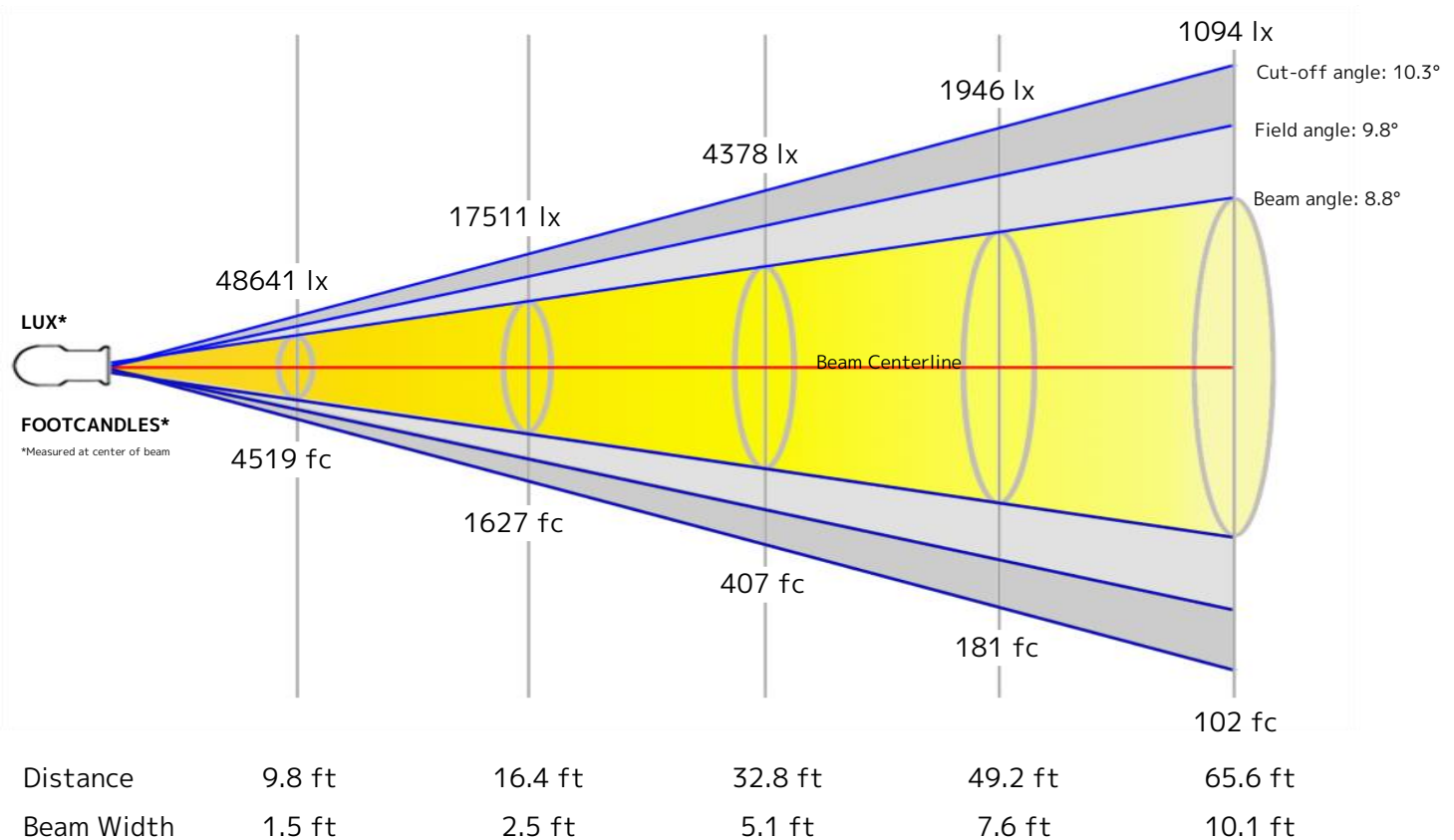
Color Temperature: 3188 K
CRI: 93.5
TLCI: 91
TM30 R_F: 93.6
TM30 R_g: 103.4

Power Details

Efficacy: 25 Lumen/Watt
Power: 276 W
Supply Voltage: 118 V
Current: - A

Beam Details

Distance	3 m	5 m	10 m	15 m	20 m
Beam Width	0.5 m	0.8 m	1.5 m	2.3 m	3.1 m



Beam Intensities from 1-20m

M	1	2	3	4	5	6	7	8	9	10	11	12	13	14	15	16	17	18	19	20
LX	437765	109441	48641	27360	17511	12160	8934	6840	5405	4378	3618	3040	2590	2233	1946	1710	1515	1351	1213	1094
FT	3.3	6.6	9.8	13.1	16.4	19.7	23	26.2	29.5	32.8	36.1	39.4	42.7	45.9	49.2	52.5	55.8	59.1	62.3	65.6
FC	40669.7	10167.4	4518.9	2541.9	1626.8	1129.7	830	635.5	502.1	406.7	336.1	282.4	240.6	207.5	180.8	158.9	140.7	125.5	112.7	101.7

Key Measurements

Output

Total Lumen Output: 8582 lm
Peak Intensity: 527260 cd

Beam

Beam Angle (50%): 8.6°
Field Angle (10%): 10.5°
Cutoff Angle (2.5%): 10.9°

Color

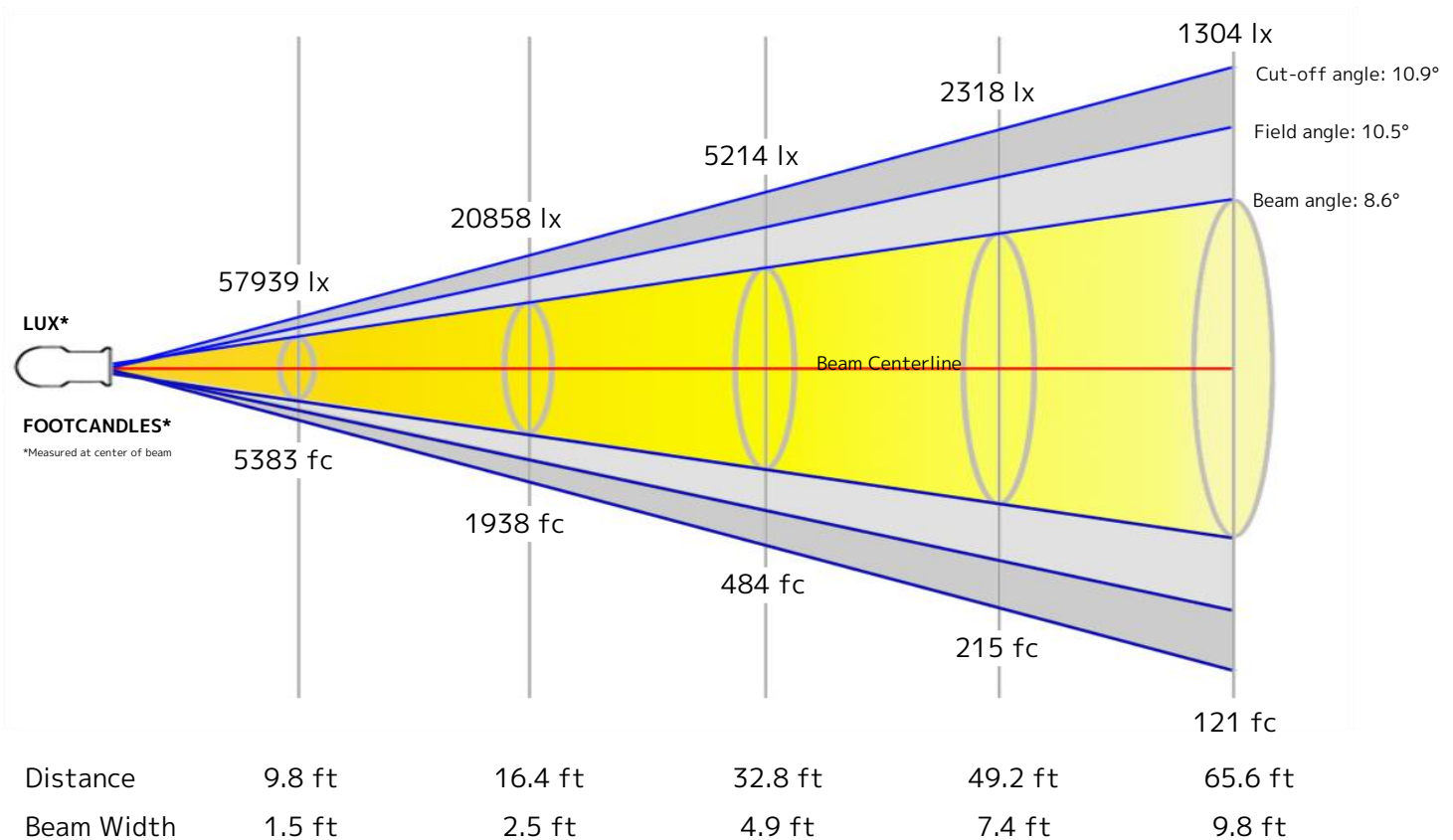
Color Temperature: 4508 K
CRI: 91.8
TLCI: 90
TM30 R_F: 90.7
TM30 R_g: 103.0

Power Details

Efficacy: 26 Lumen/Watt
Power: 330 W
Supply Voltage: 118 V
Current: - A

Beam Details

Distance	3 m	5 m	10 m	15 m	20 m
Beam Width	0.5 m	0.8 m	1.5 m	2.3 m	3 m



Beam Intensities from 1-20m

M	1	2	3	4	5	6	7	8	9	10	11	12	13	14	15	16	17	18	19	20
LX	521448	130362	57939	32590	20858	14485	10642	8148	6438	5214	4309	3621	3085	2660	2318	2037	1804	1609	1444	1304
FT	3.3	6.6	9.8	13.1	16.4	19.7	23	26.2	29.5	32.8	36.1	39.4	42.7	45.9	49.2	52.5	55.8	59.1	62.3	65.6
FC	48444.1	12111	5382.7	3027.8	1937.8	1345.7	988.7	756.9	598.1	484.4	400.4	336.4	286.7	247.2	215.3	189.2	167.6	149.5	134.2	121.1

Key Measurements

Output

Total Lumen Output: 8894 lm
Peak Intensity: 556876 cd

Beam

Beam Angle (50%): 8.9°
Field Angle (10%): 9.8°
Cutoff Angle (2.5%): 9.9°

Color

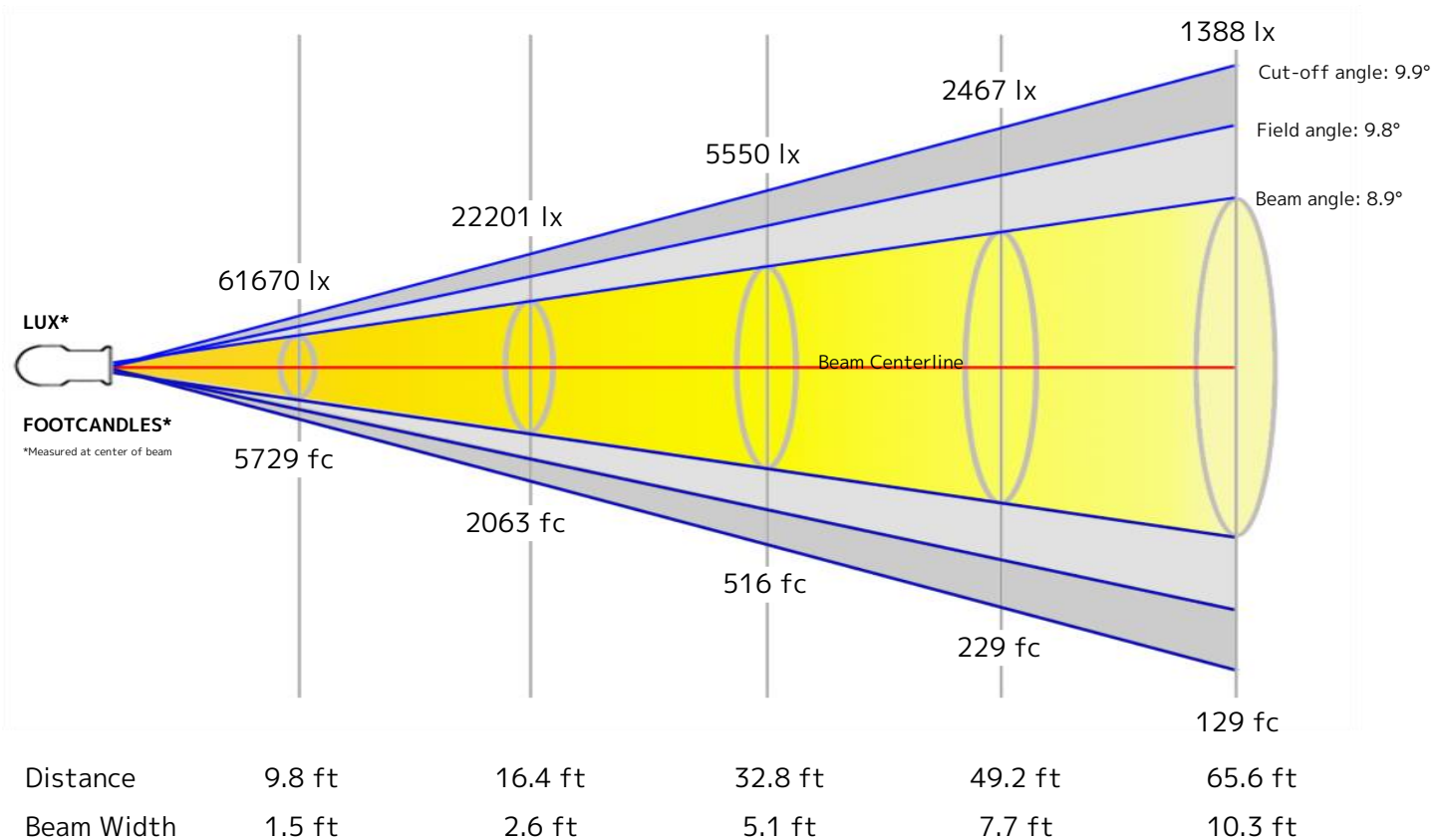
Color Temperature: 5564 K
CRI: 90.5
TLCI: 91
TM30 R_F: 89.5
TM30 R_G: 102.8

Power Details

Efficacy: 25 Lumen/Watt
Power: 360 W
Supply Voltage: 118 V
Current: - A

Beam Details

Distance	3 m	5 m	10 m	15 m	20 m
Beam Width	0.5 m	0.8 m	1.6 m	2.3 m	3.1 m



Beam Intensities from 1-20m

M	1	2	3	4	5	6	7	8	9	10	11	12	13	14	15	16	17	18	19	20
LX	555033	138758	61670	34690	22201	15418	11327	8672	6852	5550	4587	3854	3284	2832	2467	2168	1921	1713	1537	1388
FT	3.3	6.6	9.8	13.1	16.4	19.7	23	26.2	29.5	32.8	36.1	39.4	42.7	45.9	49.2	52.5	55.8	59.1	62.3	65.6
FC	51564.3	12891.1	5729.4	3222.8	2062.6	1432.3	1052.3	805.7	636.6	515.6	426.2	358.1	305.1	263.1	229.2	201.4	178.4	159.1	142.8	128.9

Key Measurements

Output

Total Lumen Output: 8910 lm
Peak Intensity: 547906 cd

Beam

Beam Angle (50%): 8.7°
Field Angle (10%): 10.4°
Cutoff Angle (2.5%): 10.8°

Color

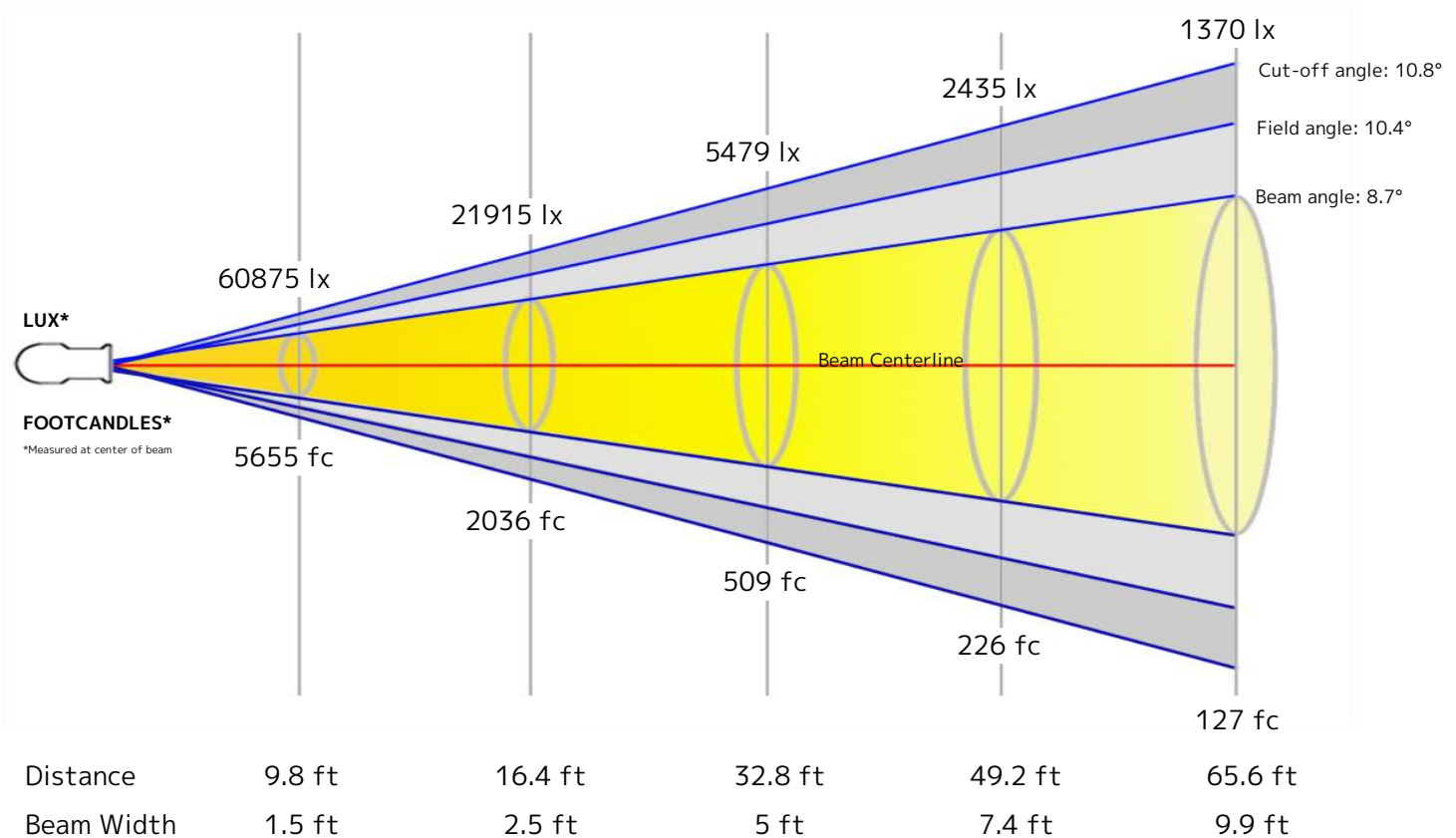
Color Temperature: 5975 K
CRI: 90.2
TLCI: 91
TM30 R_F: 89.1
TM30 R_G: 102.6

Power Details

Efficacy: 25 Lumen/Watt
Power: 360 W
Supply Voltage: 118 V
Current: - A

Beam Details

Distance	3 m	5 m	10 m	15 m	20 m
Beam Width	0.5 m	0.8 m	1.5 m	2.3 m	3 m



Beam Intensities from 1-20m

M	1	2	3	4	5	6	7	8	9	10	11	12	13	14	15	16	17	18	19	20
LX	547871	136968	60875	34242	21915	15219	11181	8560	6764	5479	4528	3805	3242	2795	2435	2140	1896	1691	1518	1370
FT	3.3	6.6	9.8	13.1	16.4	19.7	23	26.2	29.5	32.8	36.1	39.4	42.7	45.9	49.2	52.5	55.8	59.1	62.3	65.6
FC	50898.9	12724.7	5655.4	3181.2	2036	1413.9	1038.8	795.3	628.4	509	420.7	353.5	301.2	259.7	226.2	198.8	176.1	157.1	141	127.2

Key Measurements

Output

Total Lumen Output: 8830 lm
Peak Intensity: 548103 cd

Beam

Beam Angle (50%): 8.6°
Field Angle (10%): 10.1°
Cutoff Angle (2.5%): 10.9°

Color

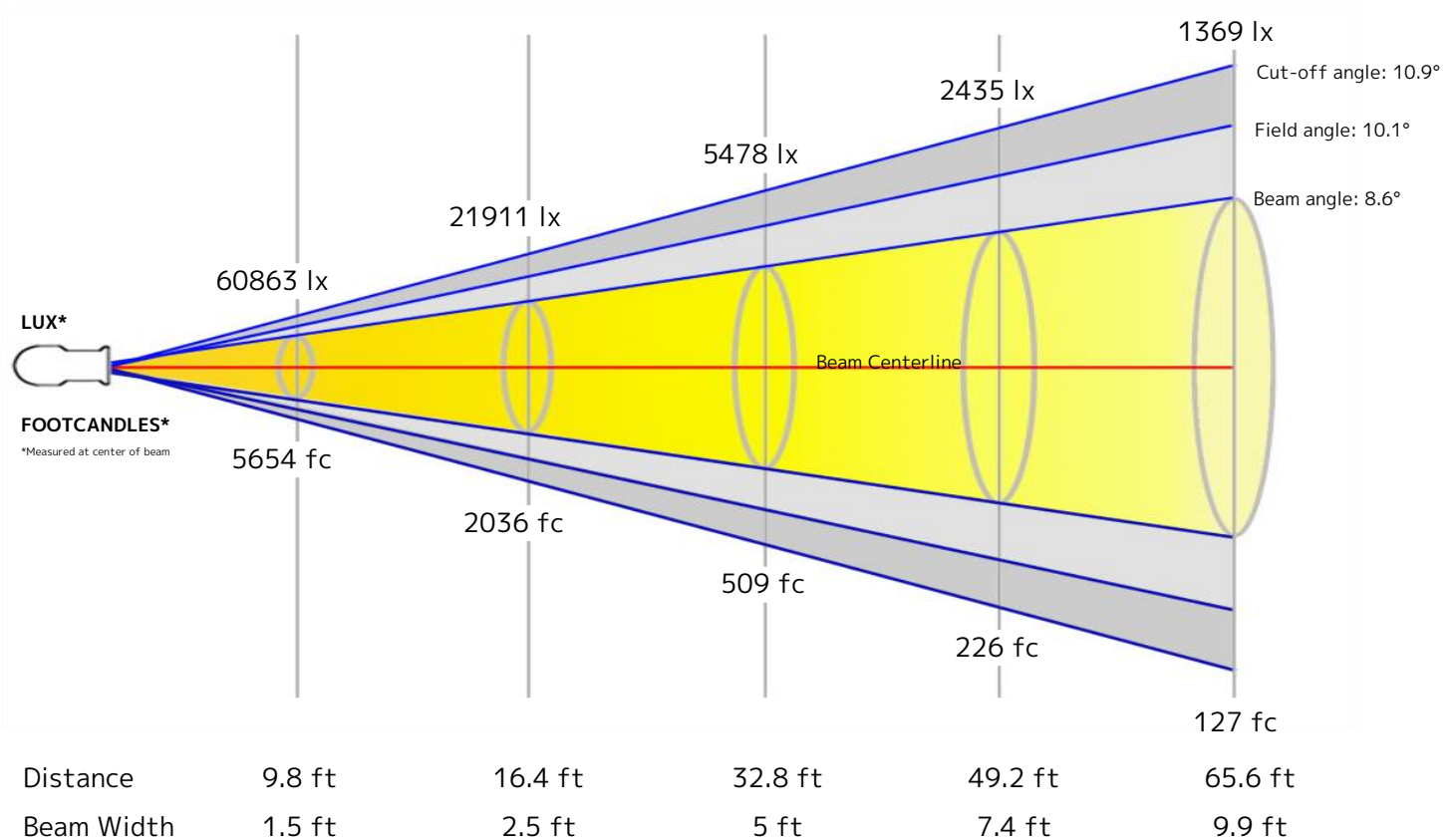
Color Temperature: 6516 K
CRI: 89.6
TLCI: 91
TM30 R_F: 88.3
TM30 R_g: 101.7

Power Details

Efficacy: 25 Lumen/Watt
Power: 360 W
Supply Voltage: 118 V
Current: - A

Beam Details

Distance	3 m	5 m	10 m	15 m	20 m
Beam Width	0.5 m	0.8 m	1.5 m	2.3 m	3 m



Beam Intensities from 1-20m

M	1	2	3	4	5	6	7	8	9	10	11	12	13	14	15	16	17	18	19	20
LX	547771	136943	60863	34236	21911	15216	11179	8559	6763	5478	4527	3804	3241	2795	2435	2140	1895	1691	1517	1369
FT	3.3	6.6	9.8	13.1	16.4	19.7	23	26.2	29.5	32.8	36.1	39.4	42.7	45.9	49.2	52.5	55.8	59.1	62.3	65.6
FC	50889.6	12722.4	5654.4	3180.6	2035.6	1413.6	1038.6	795.1	628.3	508.9	420.6	353.4	301.1	259.6	226.2	198.8	176.1	157.1	141	127.2

Key Measurements

Output

Total Lumen Output: 6549 lm
Peak Intensity: 624932 cd

Beam

Beam Angle (50%): 6.8°
Field Angle (10%): 7.8°
Cutoff Angle (2.5%): 8°

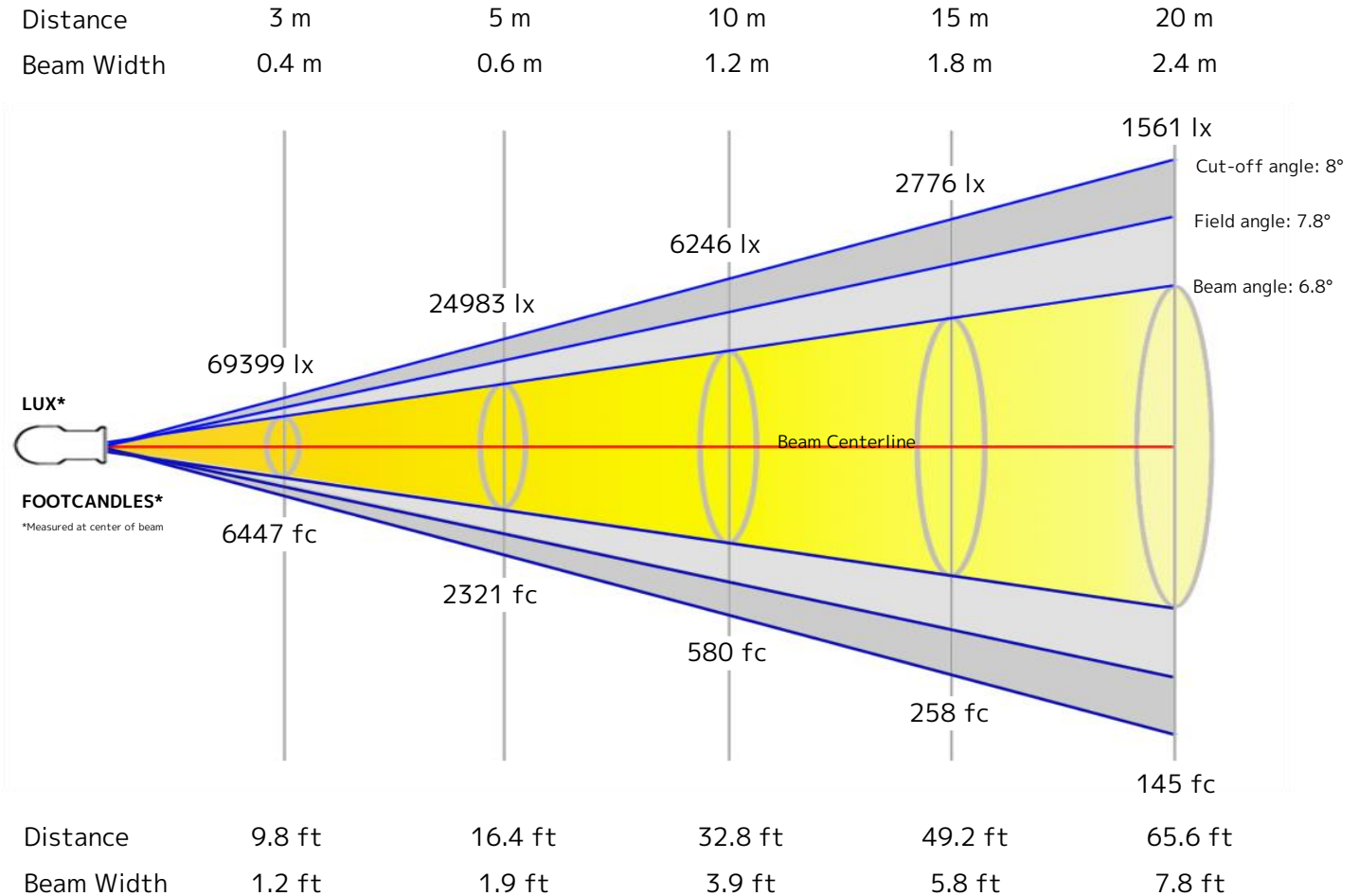
Color

Color Temperature: 5636 K
CRI: 89.7
TLCI: 91
TM30 R_F: 89.5
TM30 R_G: 102.0

Power Details

Efficacy: 18 Lumen/Watt
Power: 360 W
Supply Voltage: 119 V
Current: - A

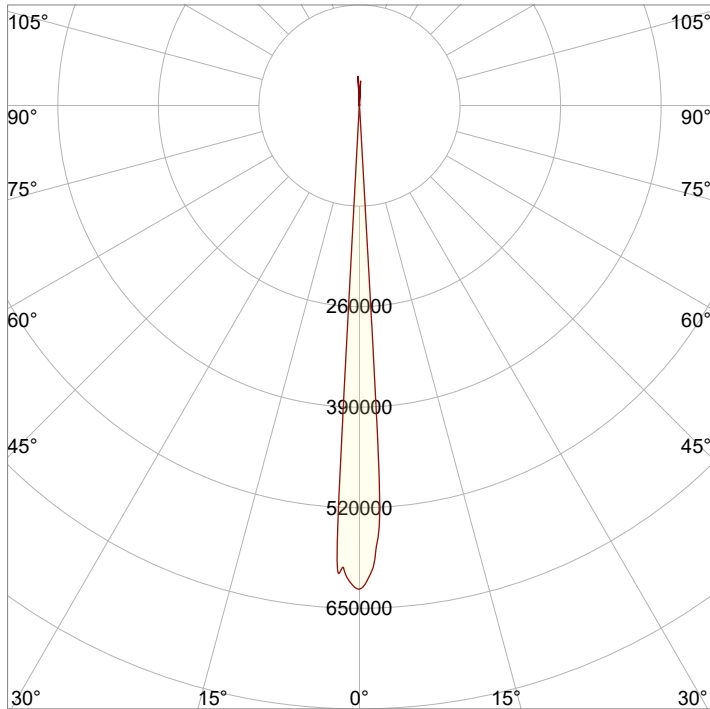
Beam Details



Beam Intensities from 1-20m

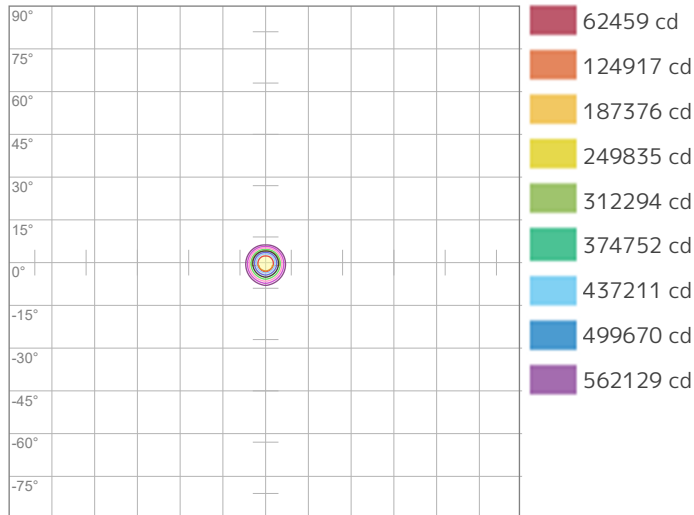
M	1	2	3	4	5	6	7	8	9	10	11	12	13	14	15	16	17	18	19	20
LX	624587	156147	69399	39037	24983	17350	12747	9759	7711	6246	5162	4337	3696	3187	2776	2440	2161	1928	1730	1561
FT	3.3	6.6	9.8	13.1	16.4	19.7	23	26.2	29.5	32.8	36.1	39.4	42.7	45.9	49.2	52.5	55.8	59.1	62.3	65.6
FC	58026.1	14506.5	6447.3	3626.6	2321	1611.8	1184.2	906.7	716.4	580.3	479.6	403	343.3	296.1	257.9	226.7	200.8	179.1	160.7	145.1

Angular Distribution



Beam Angle - 50%
6.8°
Field Angle - 10%
7.8°
Cutoff Angle - 2.5%
8°

ISO Diagrams

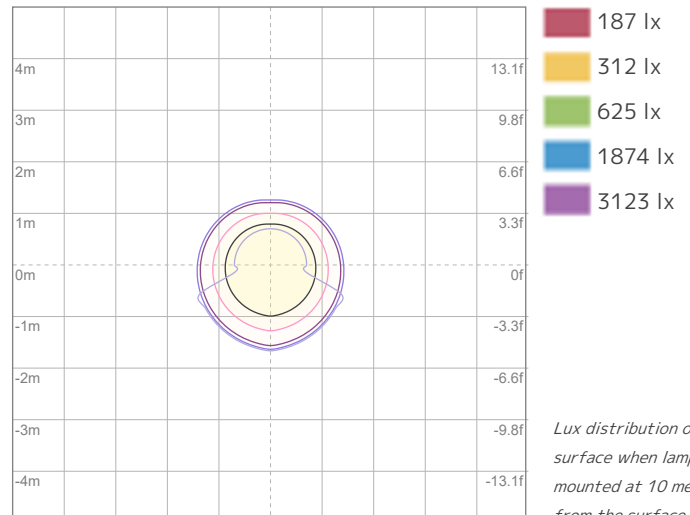


ISO Candela Diagram

Conditions:

Number of c-planes: 2

Candela at center: 624587 cd



ISO LUX Diagram

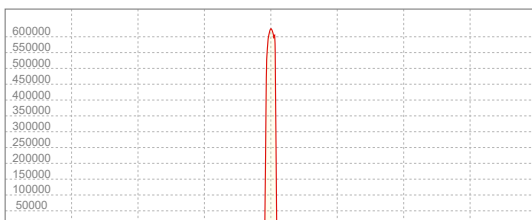
Conditions:

Number of c-planes: 2

LUX at center: 6246 lx

Lux distribution on a surface when lamp is mounted at 10 meters from the surface.

Linear Distribution



Peak Candela
624932 cd

Calculate Center Beam Intensities

$$\text{lux} = 624932 / \text{distance(m)}^2$$

$$\text{fc} = 624932 / \text{distance(ft)}^2$$

Key Measurements

Output

Total Lumen Output: 4010 lm
Peak Intensity: 384150 cd

Beam

Beam Angle (50%): 6.8°
Field Angle (10%): 7.8°
Cutoff Angle (2.5%): 7.9°

Color

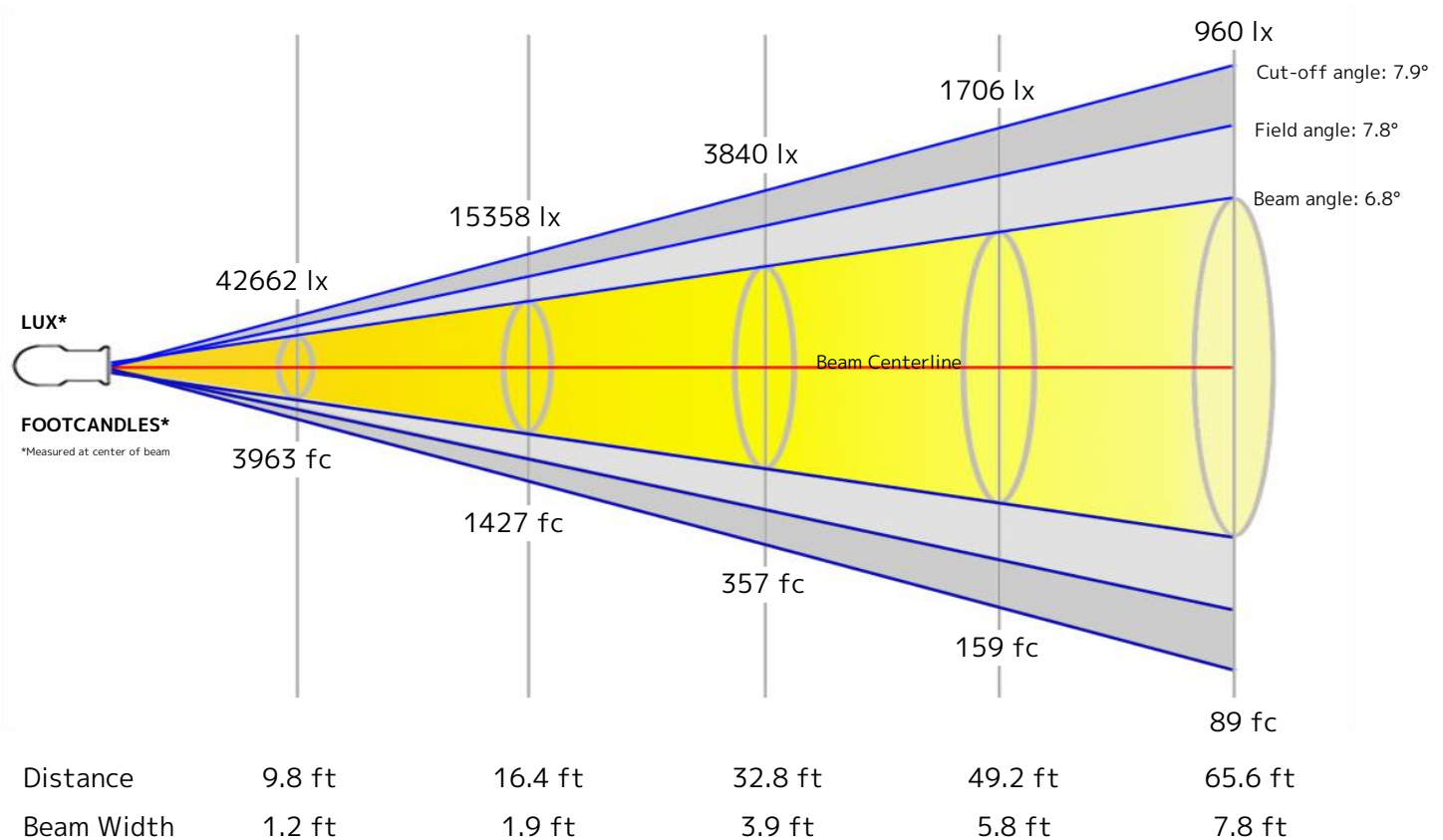
Color Temperature: 2742 K
CRI: 94.0
TLCI: 87
TM30 R_F: 93.9
TM30 R_g: 103.5

Power Details

Efficacy: 17 Lumen/Watt
Power: 235 W
Supply Voltage: 119 V
Current: - A

Beam Details

Distance	3 m	5 m	10 m	15 m	20 m
Beam Width	0.4 m	0.6 m	1.2 m	1.8 m	2.4 m



Beam Intensities from 1-20m

M	1	2	3	4	5	6	7	8	9	10	11	12	13	14	15	16	17	18	19	20
LX	383959	95990	42662	23997	15358	10666	7836	5999	4740	3840	3173	2666	2272	1959	1706	1500	1329	1185	1064	960
FT	3.3	6.6	9.8	13.1	16.4	19.7	23	26.2	29.5	32.8	36.1	39.4	42.7	45.9	49.2	52.5	55.8	59.1	62.3	65.6
FC	35671	8917.7	3963.4	2229.4	1426.8	990.9	728	557.4	440.4	356.7	294.8	247.7	211.1	182	158.5	139.3	123.4	110.1	98.8	89.2

Key Measurements

Output

Total Lumen Output: 5170 lm
Peak Intensity: 493545 cd

Beam

Beam Angle (50%): 6.7°
Field Angle (10%): 7.8°
Cutoff Angle (2.5%): 8.6°

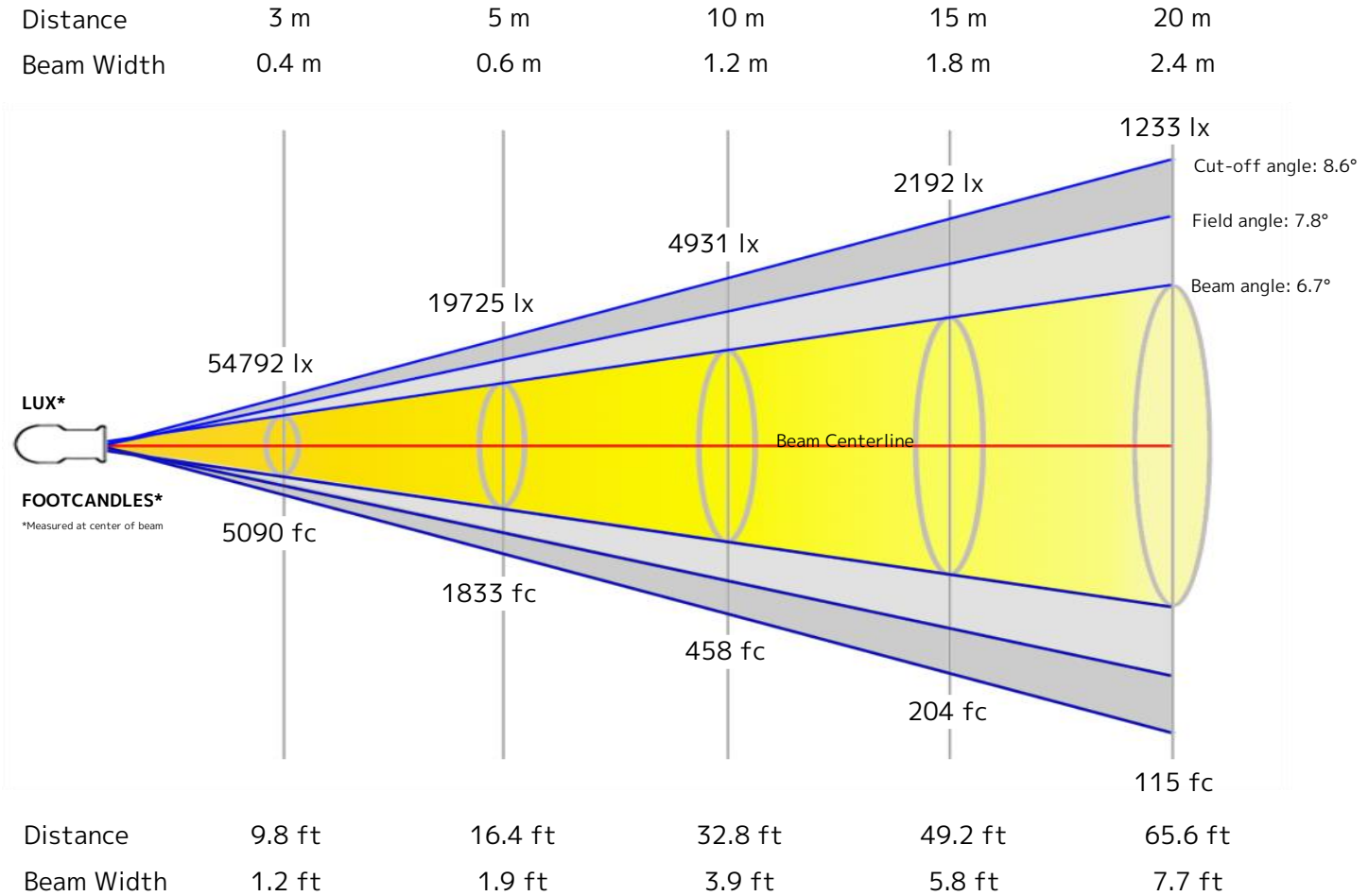
Color

Color Temperature: 3297 K
CRI: 93.2
TLCI: 91
TM30 R_F: 93.4
TM30 R_g: 103.3

Power Details

Efficacy: 16 Lumen/Watt
Power: 330 W
Supply Voltage: 119 V
Current: - A

Beam Details



Beam Intensities from 1-20m

M	1	2	3	4	5	6	7	8	9	10	11	12	13	14	15	16	17	18	19	20
LX	493126	123281	54792	30820	19725	13698	10064	7705	6088	4931	4075	3424	2918	2516	2192	1926	1706	1522	1366	1233
FT	3.3	6.6	9.8	13.1	16.4	19.7	23	26.2	29.5	32.8	36.1	39.4	42.7	45.9	49.2	52.5	55.8	59.1	62.3	65.6
FC	45812.9	11453.2	5090.3	2863.3	1832.5	1272.6	935	715.8	565.6	458.1	378.6	318.1	271.1	233.7	203.6	179	158.5	141.4	126.9	114.5

Key Measurements

Output

Total Lumen Output: 6107 lm
Peak Intensity: 584357 cd

Beam

Beam Angle (50%): 6.8°
Field Angle (10%): 7.8°
Cutoff Angle (2.5%): 8°

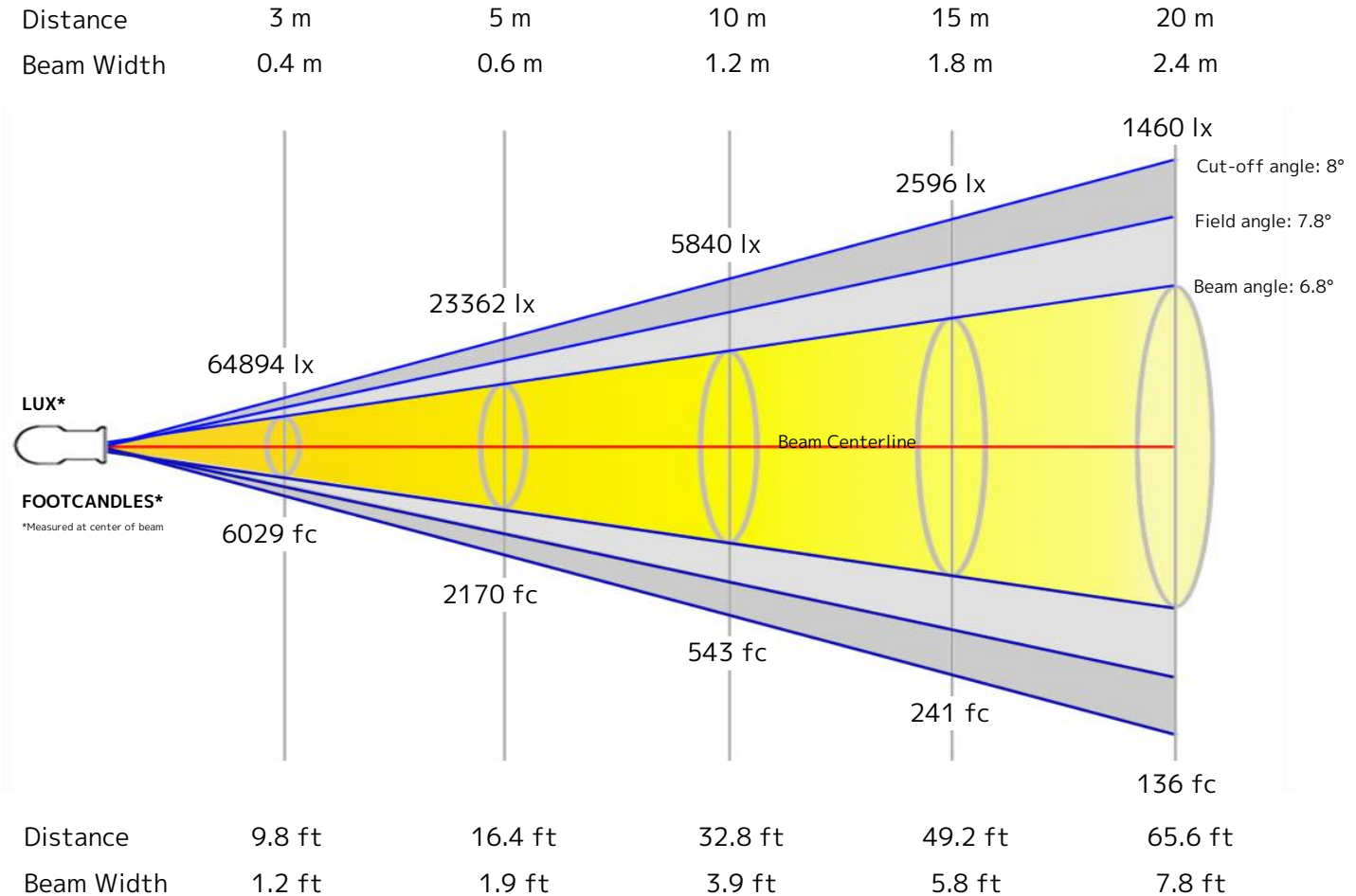
Color

Color Temperature: 4514 K
CRI: 91.9
TLCI: 90
TM30 R_F: 90.8
TM30 R_g: 103.2

Power Details

Efficacy: 19 Lumen/Watt
Power: 330 W
Supply Voltage: 119 V
Current: - A

Beam Details



Beam Intensities from 1-20m

M	1	2	3	4	5	6	7	8	9	10	11	12	13	14	15	16	17	18	19	20
LX	584050	146012	64894	36503	23362	16224	11919	9126	7210	5840	4827	4056	3456	2980	2596	2281	2021	1803	1618	1460
FT	3.3	6.6	9.8	13.1	16.4	19.7	23	26.2	29.5	32.8	36.1	39.4	42.7	45.9	49.2	52.5	55.8	59.1	62.3	65.6
FC	54260	13565	6028.9	3391.3	2170.4	1507.2	1107.3	847.8	669.9	542.6	448.4	376.8	321.1	276.8	241.2	212	187.8	167.5	150.3	135.7

Key Measurements

Output

Total Lumen Output: 6491 lm
Peak Intensity: 614083 cd

Beam

Beam Angle (50%): 6.7°
Field Angle (10%): 8.3°
Cutoff Angle (2.5%): 8.8°

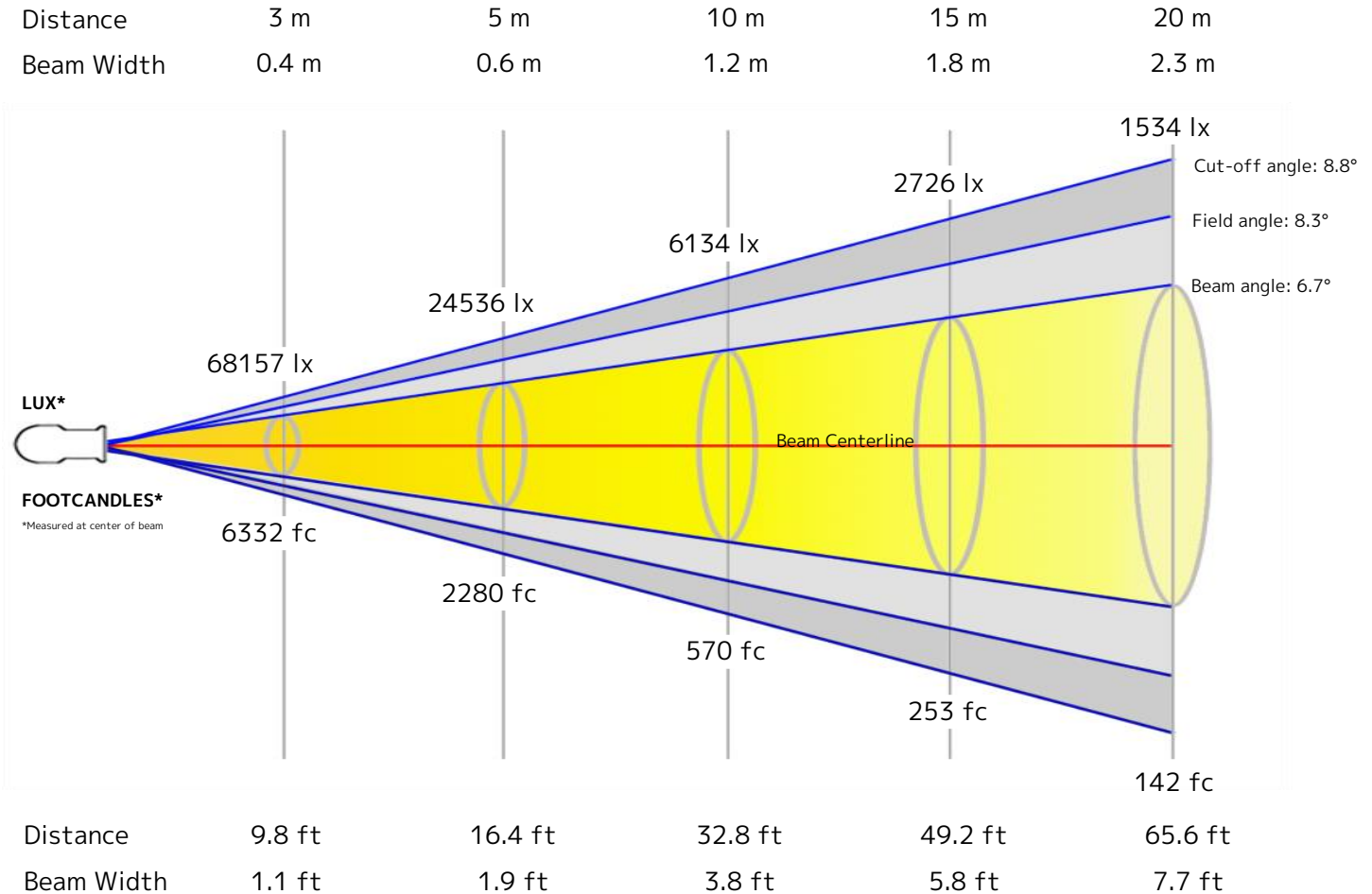
Color

Color Temperature: 5572 K
CRI: 90.5
TLCI: 91
TM30 R_F: 89.5
TM30 R_g: 102.8

Power Details

Efficacy: 18 Lumen/Watt
Power: 360 W
Supply Voltage: 119 V
Current: - A

Beam Details



Beam Intensities from 1-20m

M	1	2	3	4	5	6	7	8	9	10	11	12	13	14	15	16	17	18	19	20
LX	613410	153353	68157	38338	24536	17039	12519	9585	7573	6134	5070	4260	3630	3130	2726	2396	2123	1893	1699	1534
FT	3.3	6.6	9.8	13.1	16.4	19.7	23	26.2	29.5	32.8	36.1	39.4	42.7	45.9	49.2	52.5	55.8	59.1	62.3	65.6
FC	56987.7	14246.9	6332	3561.7	2279.5	1583	1163	890.4	703.6	569.9	471	395.7	337.2	290.8	253.3	222.6	197.2	175.9	157.9	142.5

Key Measurements

Output

Total Lumen Output: 6410 lm
Peak Intensity: 612510 cd

Beam

Beam Angle (50%): 6.8°
Field Angle (10%): 7.8°
Cutoff Angle (2.5%): 8.4°

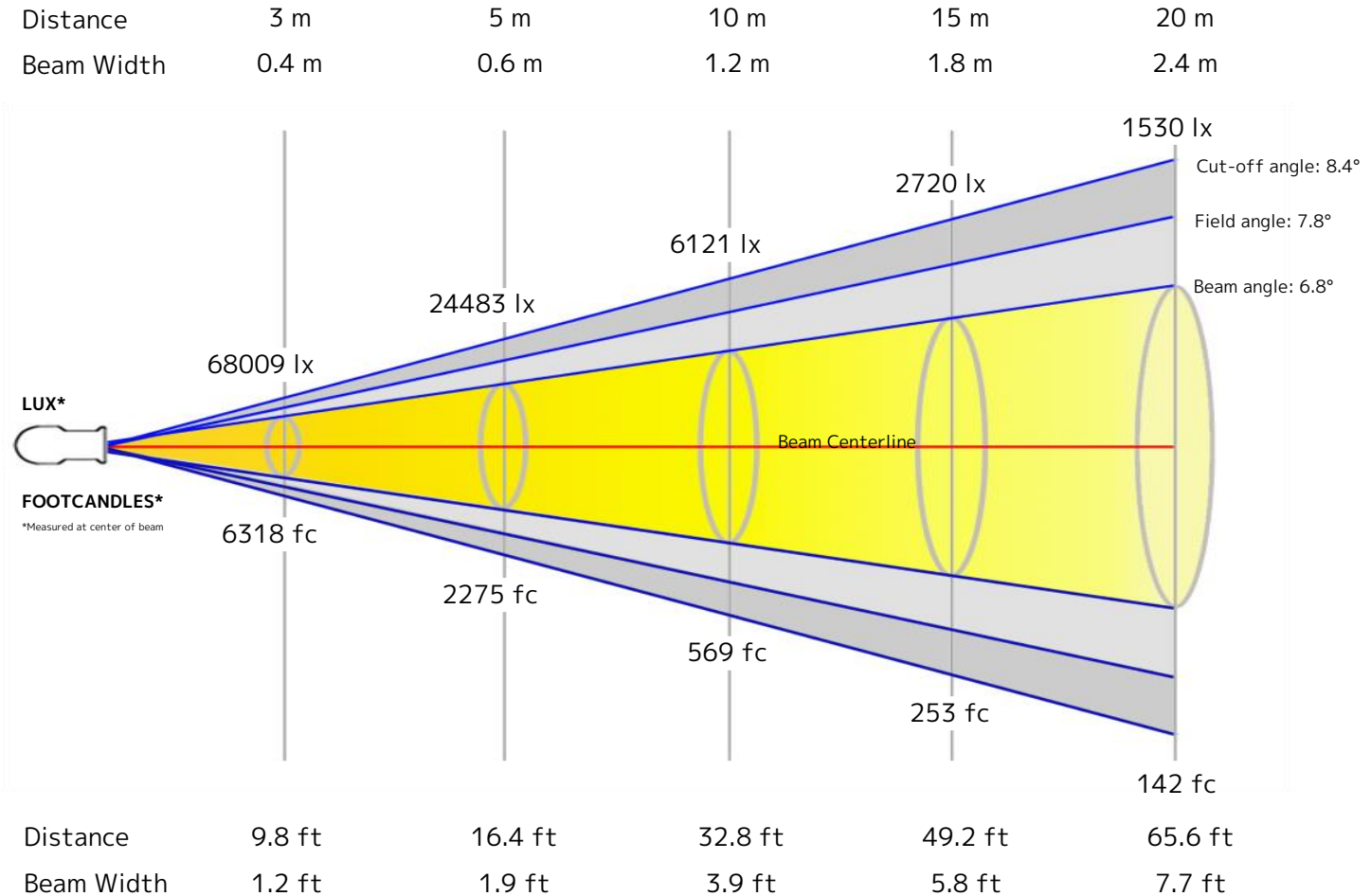
Color

Color Temperature: 5988 K
CRI: 90.3
TLCI: 91
TM30 R_F: 89.2
TM30 R_g: 102.7

Power Details

Efficacy: 18 Lumen/Watt
Power: 360 W
Supply Voltage: 119 V
Current: - A

Beam Details



Beam Intensities from 1-20m

M	1	2	3	4	5	6	7	8	9	10	11	12	13	14	15	16	17	18	19	20
LX	612085	153021	68009	38255	24483	17002	12492	9564	7557	6121	5059	4251	3622	3123	2720	2391	2118	1889	1696	1530
FT	3.3	6.6	9.8	13.1	16.4	19.7	23	26.2	29.5	32.8	36.1	39.4	42.7	45.9	49.2	52.5	55.8	59.1	62.3	65.6
FC	56864.6	14216.1	6318.3	3554	2274.6	1579.6	1160.5	888.5	702	568.6	470	394.9	336.5	290.1	252.7	222.1	196.8	175.5	157.5	142.2

Key Measurements

Output

Total Lumen Output: 6409 lm
Peak Intensity: 610077 cd

Beam

Beam Angle (50%): 6.7°
Field Angle (10%): 7.9°
Cutoff Angle (2.5%): 8.7°

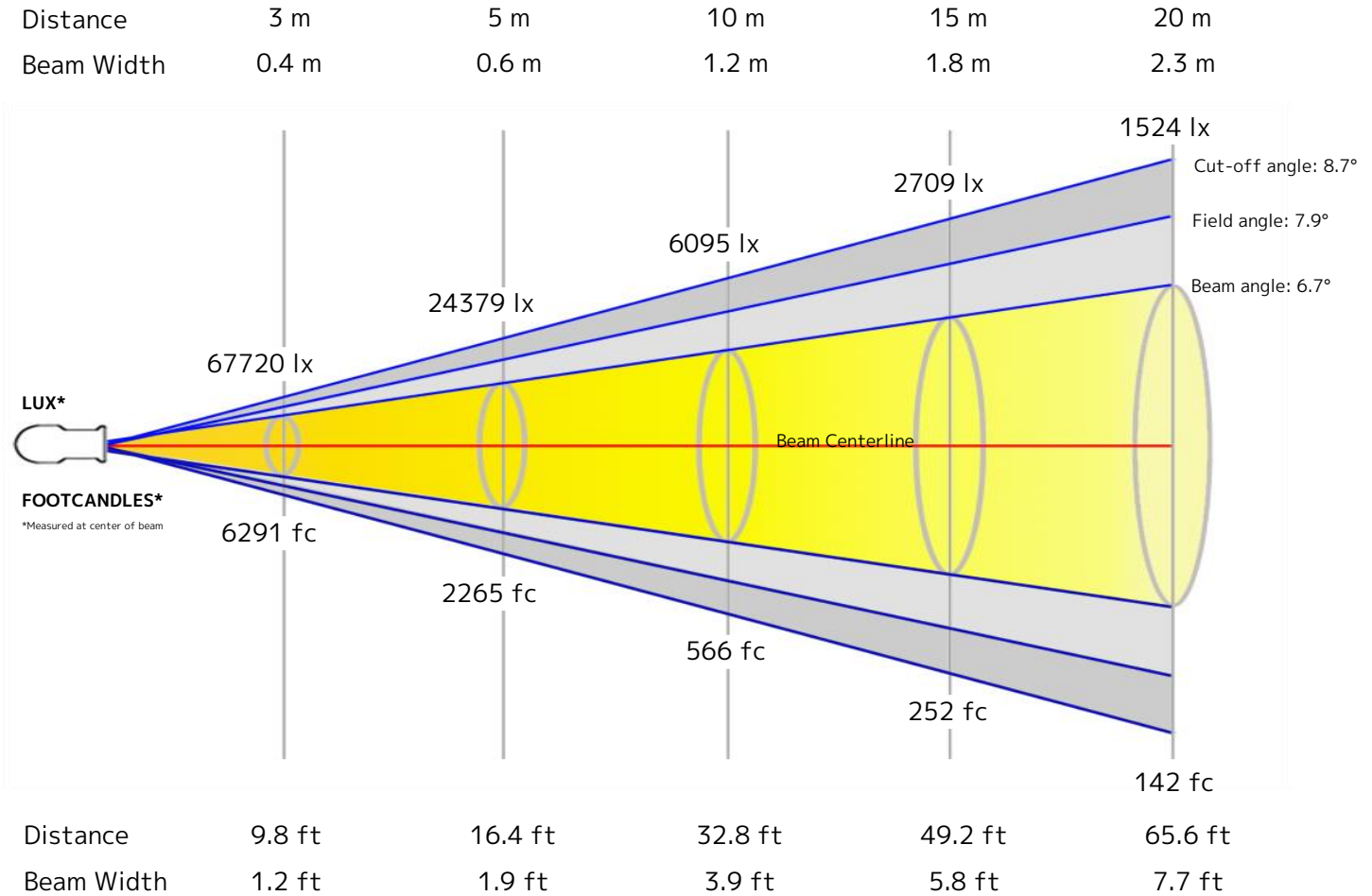
Color

Color Temperature: 6534 K
CRI: 89.7
TLCI: 91
TM30 R_F: 88.4
TM30 R_g: 101.5

Power Details

Efficacy: 18 Lumen/Watt
Power: 360 W
Supply Voltage: 119 V
Current: - A

Beam Details



Beam Intensities from 1-20m

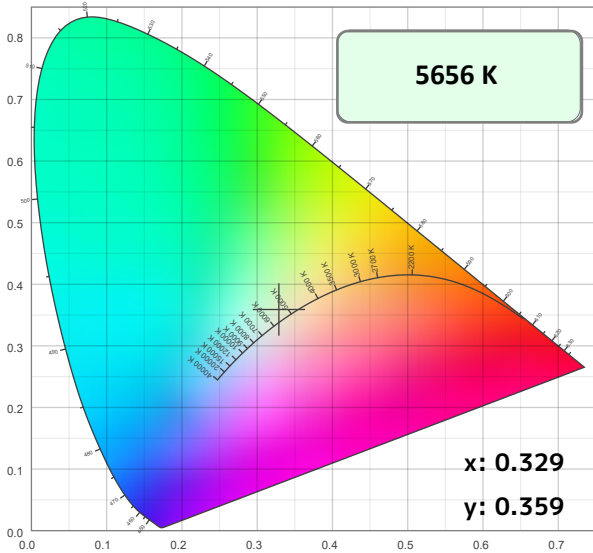
M	1	2	3	4	5	6	7	8	9	10	11	12	13	14	15	16	17	18	19	20
LX	609480	152370	67720	38092	24379	16930	12438	9523	7524	6095	5037	4232	3606	3110	2709	2381	2109	1881	1688	1524
FT	3.3	6.6	9.8	13.1	16.4	19.7	23	26.2	29.5	32.8	36.1	39.4	42.7	45.9	49.2	52.5	55.8	59.1	62.3	65.6
FC	56622.5	14155.6	6291.4	3538.9	2264.9	1572.8	1155.6	884.7	699	566.2	468	393.2	335	288.9	251.7	221.2	195.9	174.8	156.8	141.6

Color Temperature: 5656K

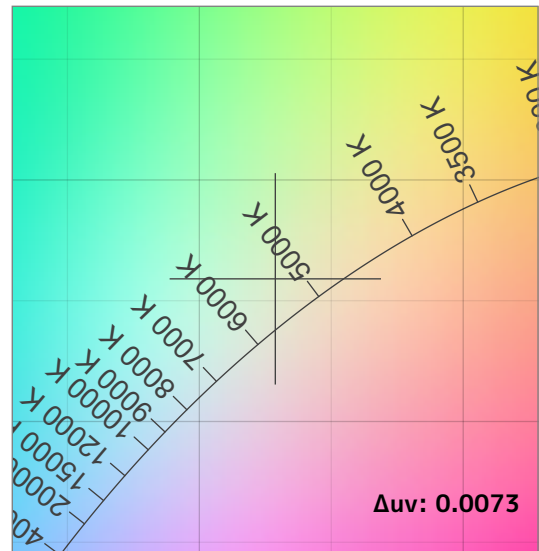
Accuracy Metric Overview

Color Rendering Index	Color Rendering Index, R9 (Red Component)	TM-30 Color Fidelity	TM-30 Color Gamut	Television Lighting Consistency Index	Color Quality Scale	Color Coordinate- CIE 1931	Color Coordinate- CIE 1931	Deviation from Black Body Locus	SSI [CIE A] Tungsten	SSI [CIE D65] Daylight
CRI	CRI R9	TM30 R _f	TM30 R _g	TLCI	CQS	x	Y	Δuv	SSIt	SSId
89.1	76.9	89.1	101.4	91	91.1	0.329	0.359	0.0073	34	55

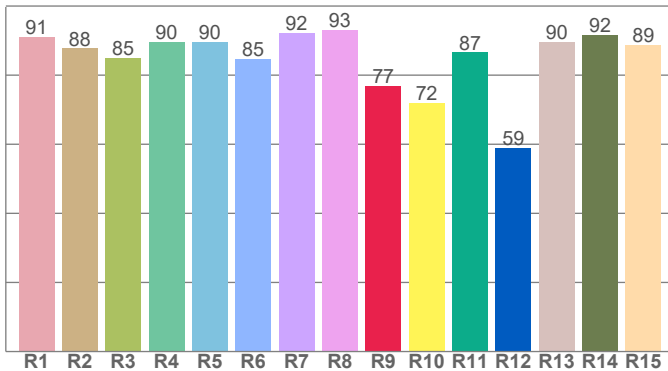
CIE 1931



CIE 1931 ZOOMED

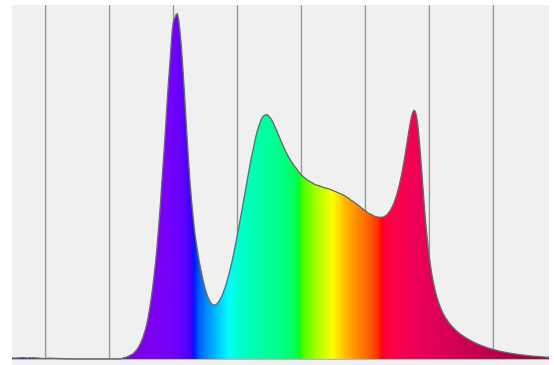


CRI: 89.1 (R1-R8)



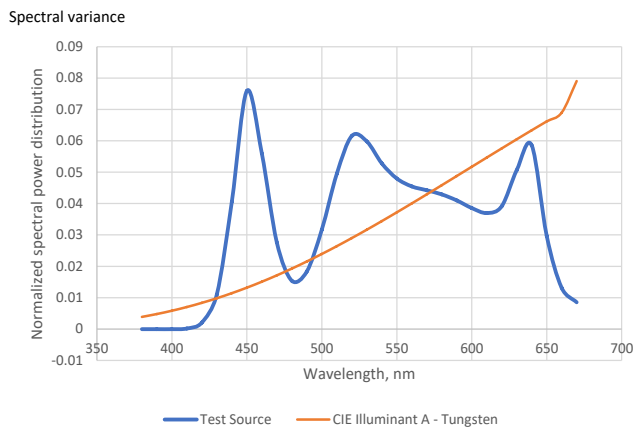
Spectral Power Distribution (SPD)

Dominant Wavelength 569 nm



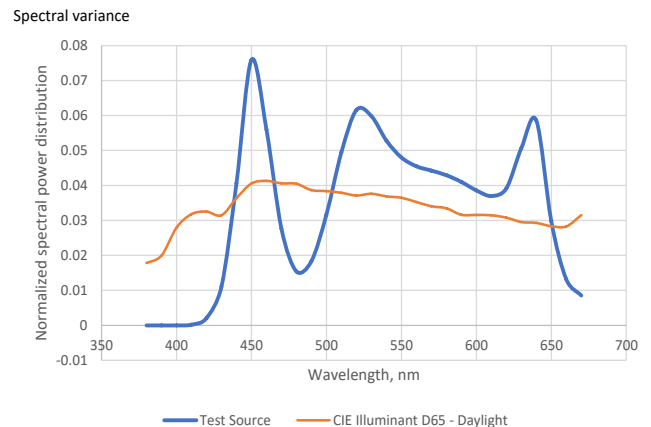
SSI Spectral Variance Graph- Tungsten

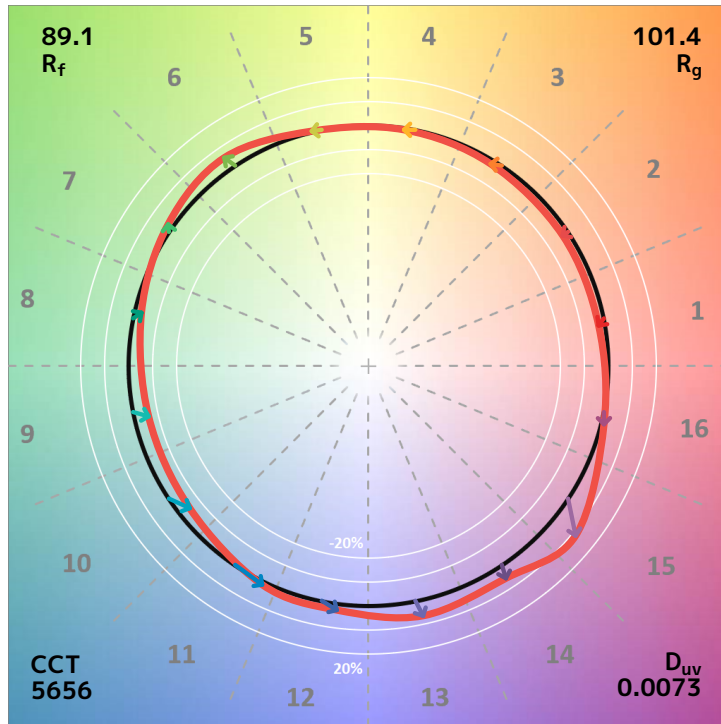
SSI [CIE A] 34



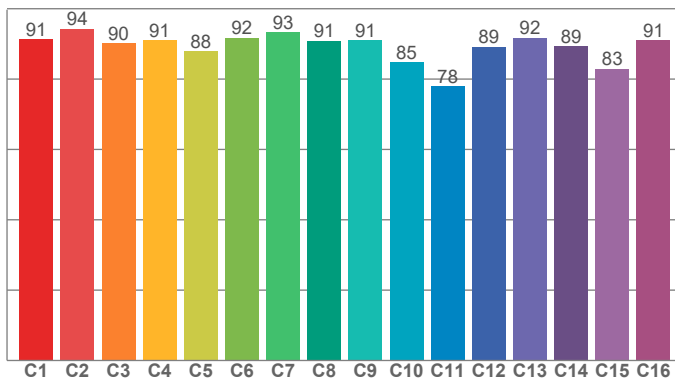
SSI Spectral Variance Graph- Daylight

SSI [CIE D65] 55

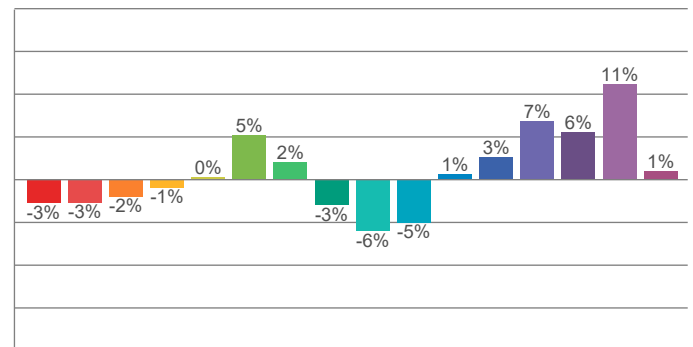




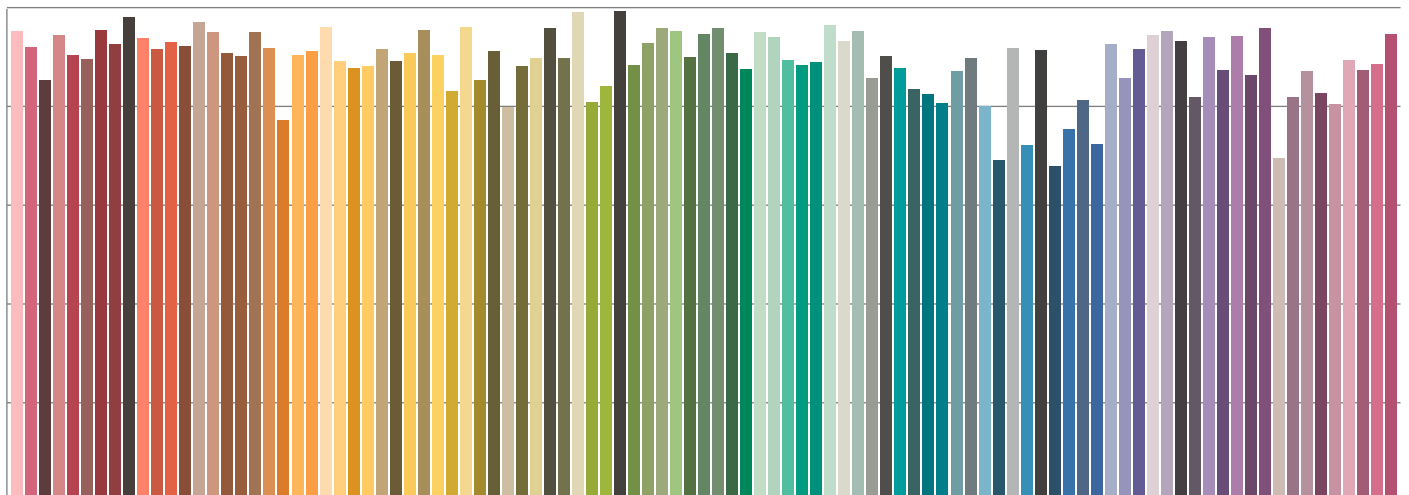
TM30-18 R_f Values per Hue Bin



TM30 Chroma Shift per Hue Bin



TM30-18 R_f Values per Reference Color (CES)

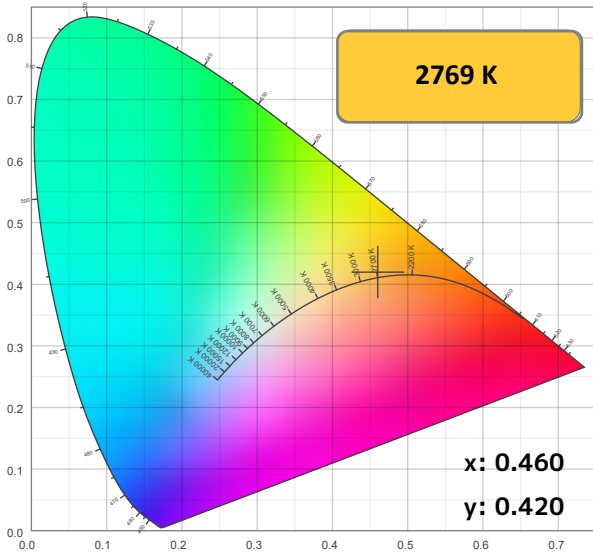


Color Temperature: 2769K

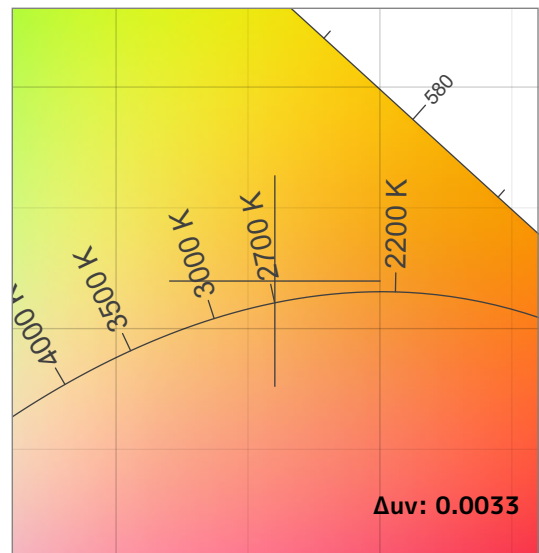
Accuracy Metric Overview

Color Rendering Index	Color Rendering Index, R9 (Red Component)	TM-30 Color Fidelity	TM-30 Color Gamut	Television Lighting Consistency Index	Color Quality Scale	Color Coordinate- CIE 1931	Color Coordinate- CIE 1931	Deviation from Black Body Locus	SSI [CIE A] Tungsten	SSI [CIE D65] Daylight
CRI	CRI R9	TM30 R _f	TM30 R _g	TLCI	CQS	x	Y	Δuv	SSIt	SSId
93.6	83.6	94.0	103.4	88	91.8	0.460	0.420	0.0033	64	16

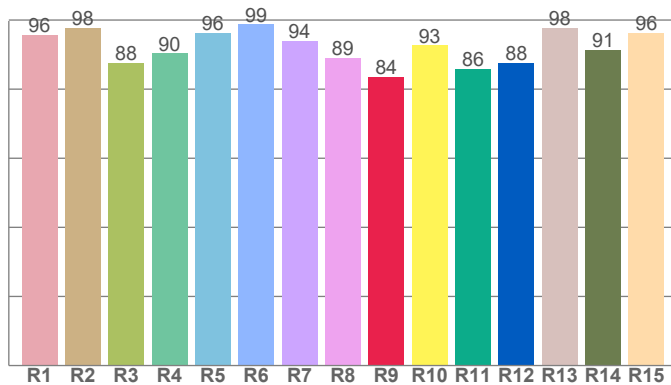
CIE 1931



CIE 1931 ZOOMED

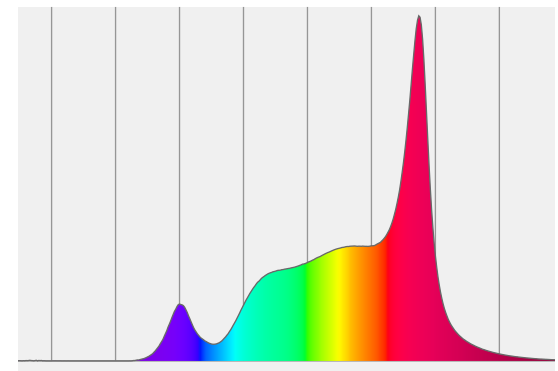


CRI: 93.6 (R1-R8)



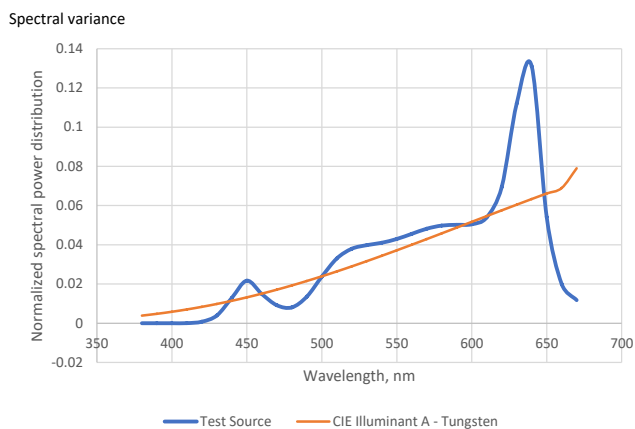
Spectral Power Distribution (SPD)

Dominant Wavelength 583 nm



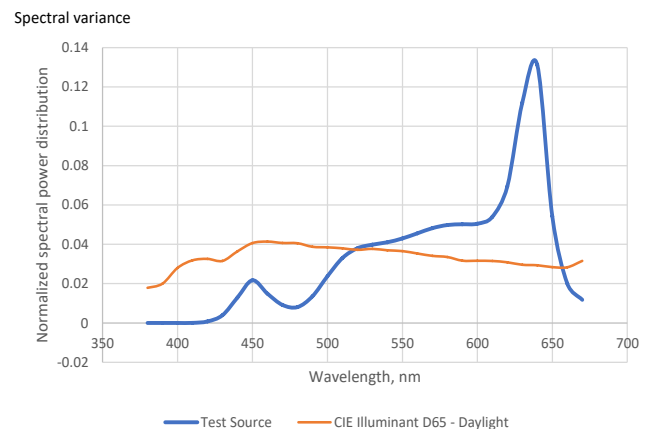
SSI Spectral Variance Graph- Tungsten

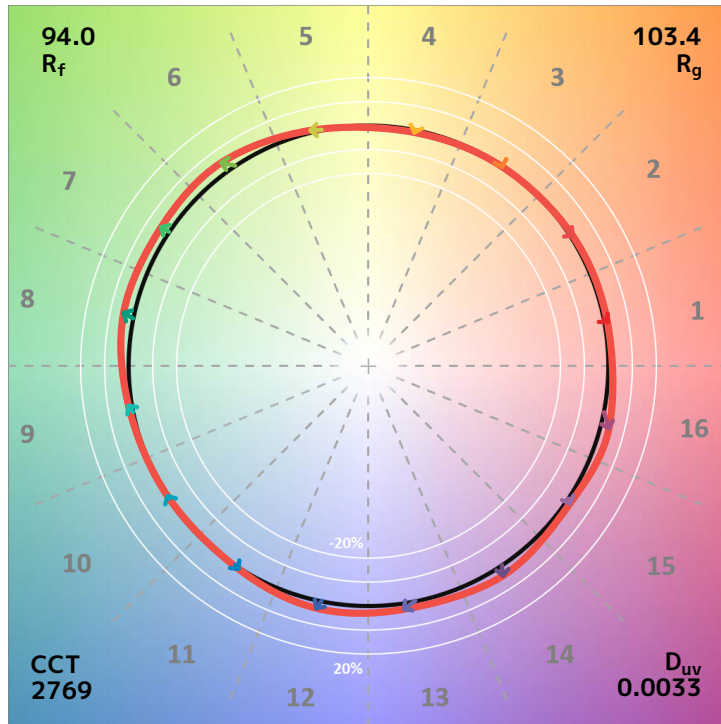
SSI [CIE A] 64



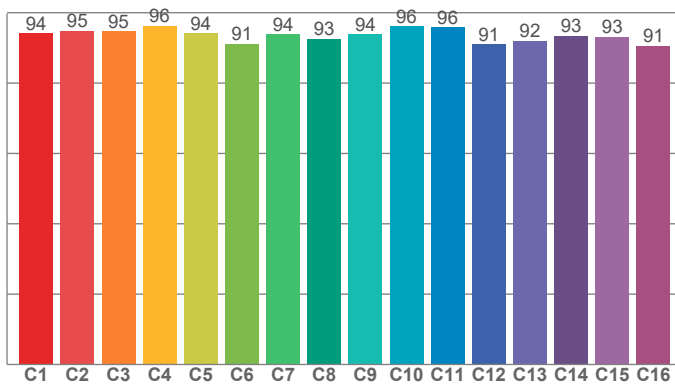
SSI Spectral Variance Graph- Daylight

SSI [CIE D65] 16

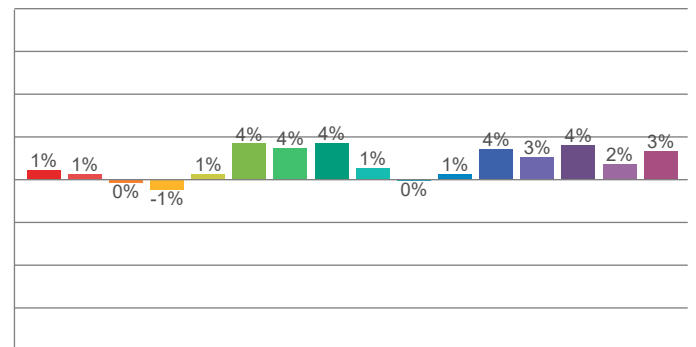




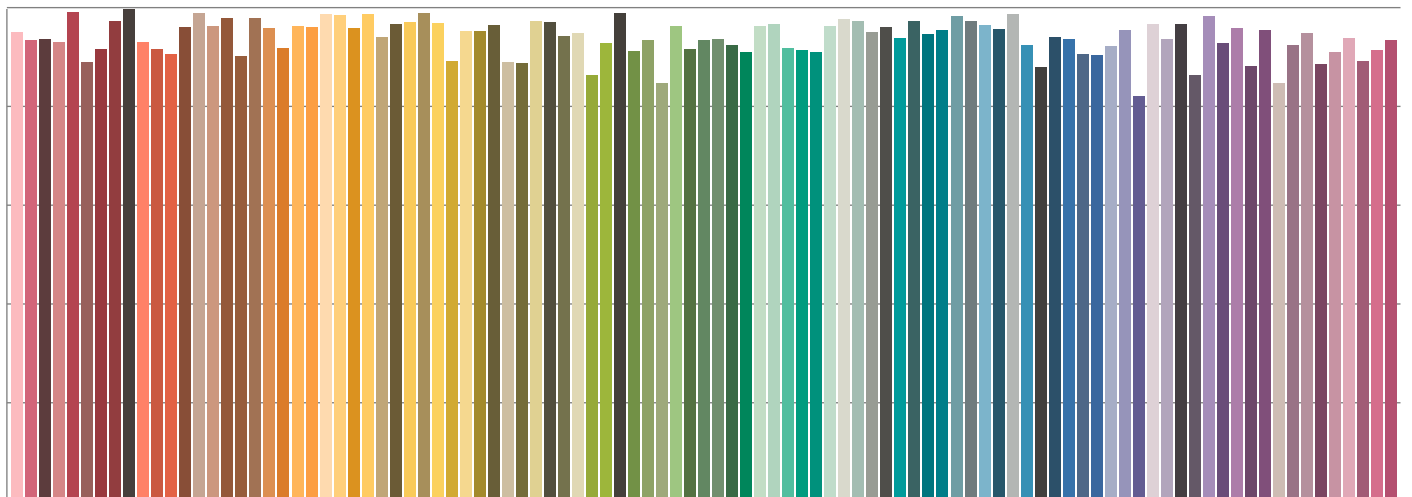
TM30-18 R_f Values per Hue Bin



TM30 Chroma Shift per Hue Bin



TM30-18 R_f Values per Reference Color (CES)

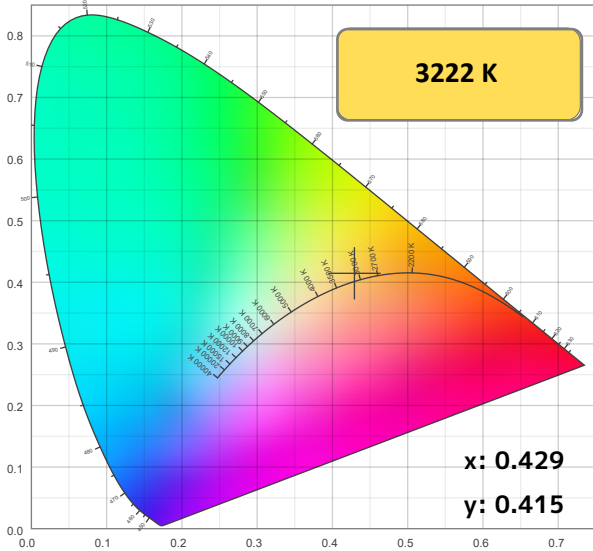


Color Temperature: 3222K

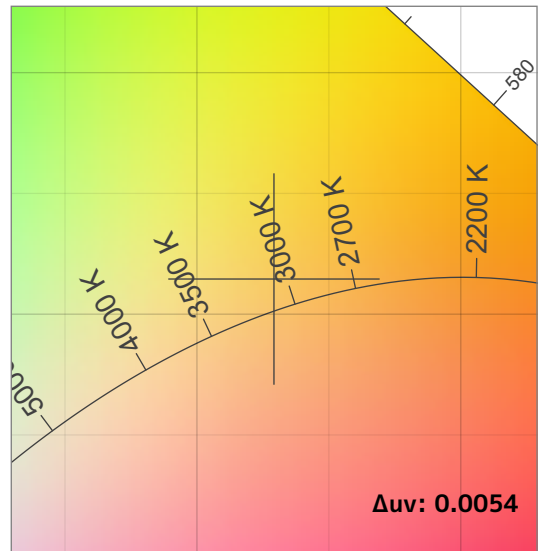
Accuracy Metric Overview

Color Rendering Index	Color Rendering Index, R9 (Red Component)	TM-30 Color Fidelity	TM-30 Color Gamut	Television Lighting Consistency Index	Color Quality Scale	Color Coordinate- CIE 1931	Color Coordinate- CIE 1931	Deviation from Black Body Locus	SSI [CIE A] Tungsten	SSI [CIE D65] Daylight
CRI	CRI R9	TM30 R _f	TM30 R _g	TLCI	CQS	x	Y	Δuv	SSIt	SSId
93.4	87.3	93.7	103.1	91	93.1	0.429	0.415	0.0054	67	29

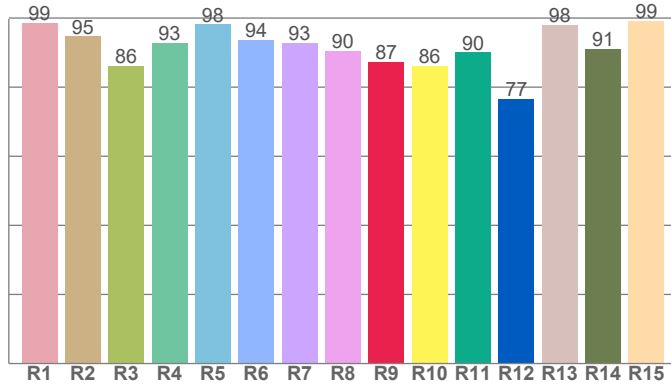
CIE 1931



CIE 1931 ZOOMED

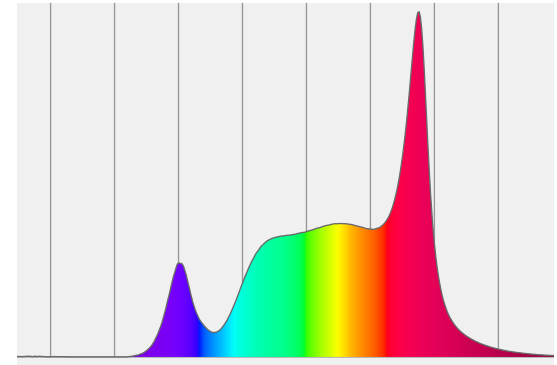


CRI: 93.4 (R1-R8)



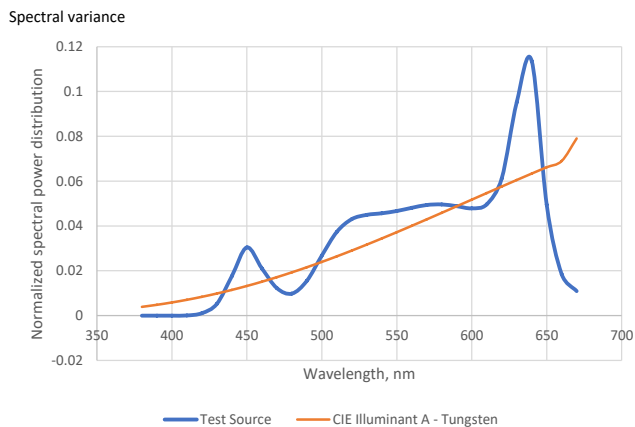
Spectral Power Distribution (SPD)

Dominant Wavelength 581 nm



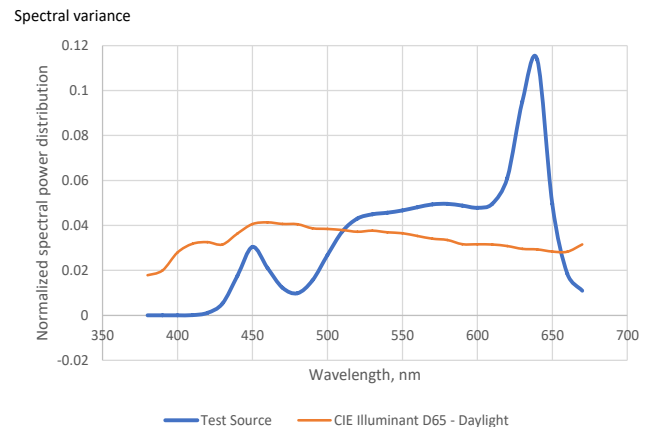
SSI Spectral Variance Graph- Tungsten

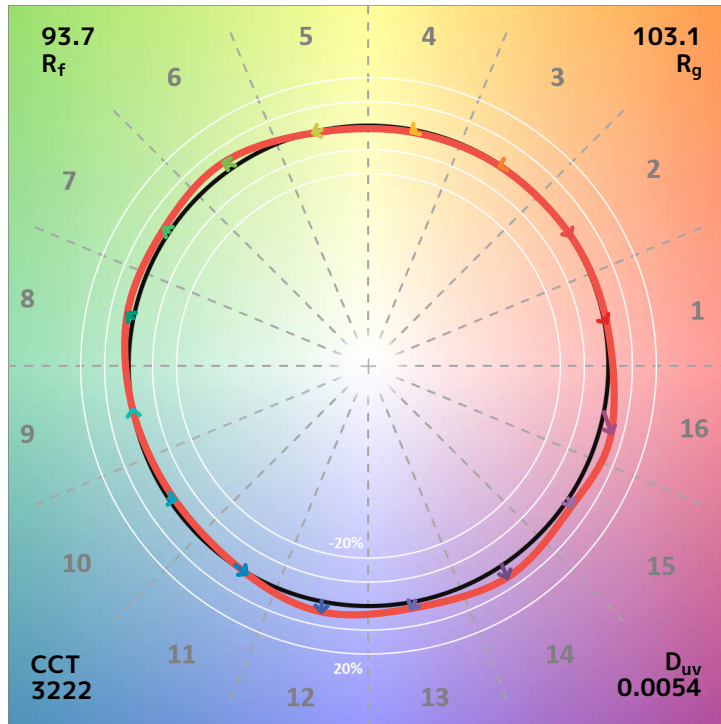
SSI [CIE A] 67



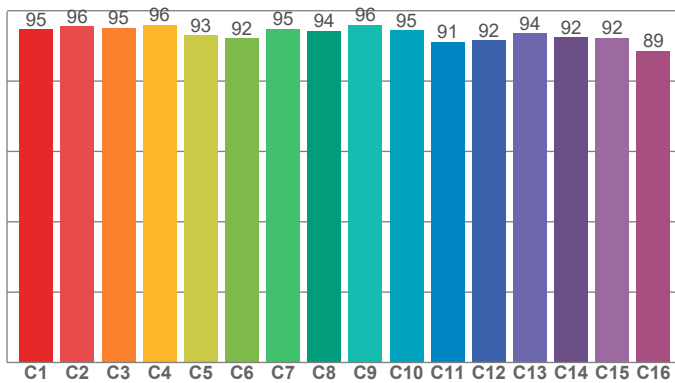
SSI Spectral Variance Graph- Daylight

SSI [CIE D65] 29

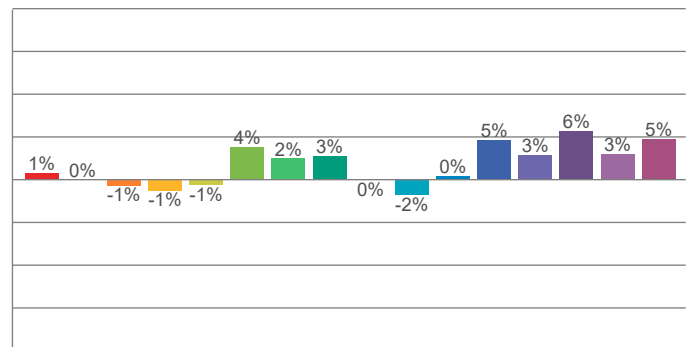




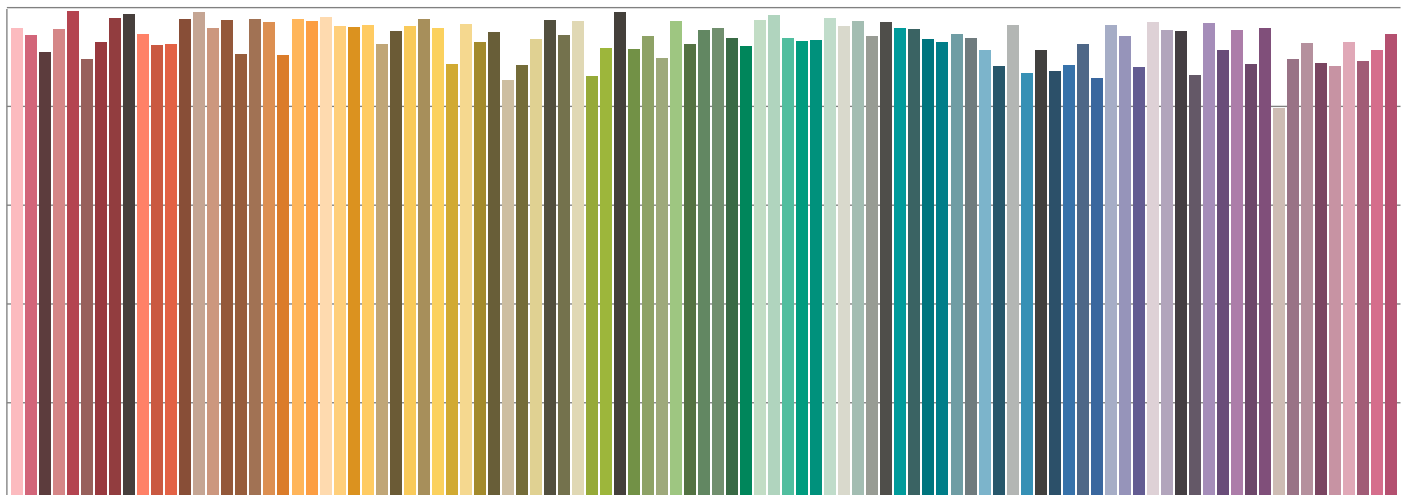
TM30-18 R_f Values per Hue Bin



TM30 Chroma Shift per Hue Bin



TM30-18 R_f Values per Reference Color (CES)

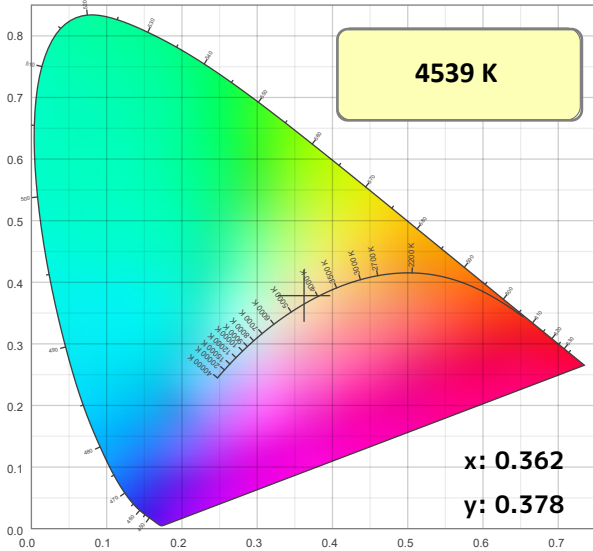


Color Temperature: 4539K

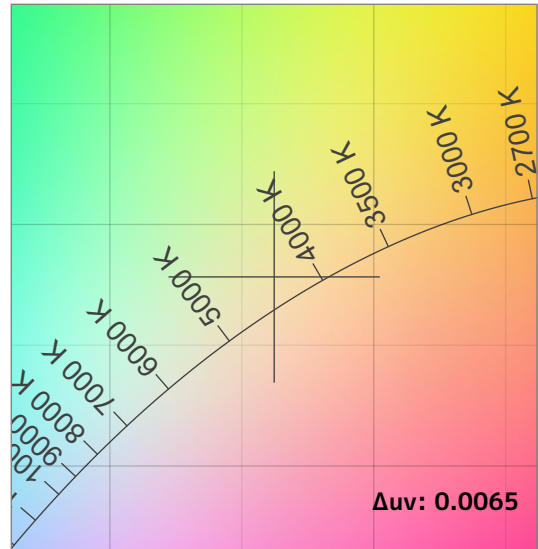
Accuracy Metric Overview

Color Rendering Index	Color Rendering Index, R9 (Red Component)	TM-30 Color Fidelity	TM-30 Color Gamut	Television Lighting Consistency Index	Color Quality Scale	Color Coordinate- CIE 1931	Color Coordinate- CIE 1931	Deviation from Black Body Locus	SSI [CIE A] Tungsten	SSI [CIE D65] Daylight
CRI	CRI R9	TM30 R _f	TM30 R _g	TLCI	CQS	x	Y	Δuv	SSIt	SSId
91.6	93.8	90.6	102.8	90	92.8	0.362	0.378	0.0065	50	50

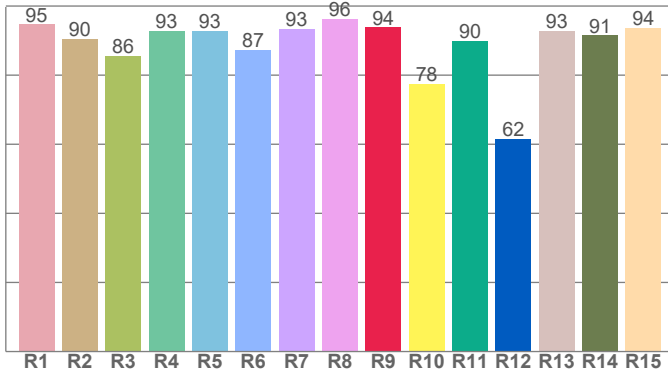
CIE 1931



CIE 1931 ZOOMED

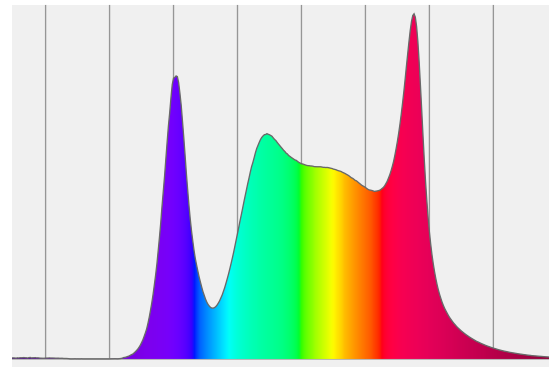


CRI: 91.6 (R1-R8)



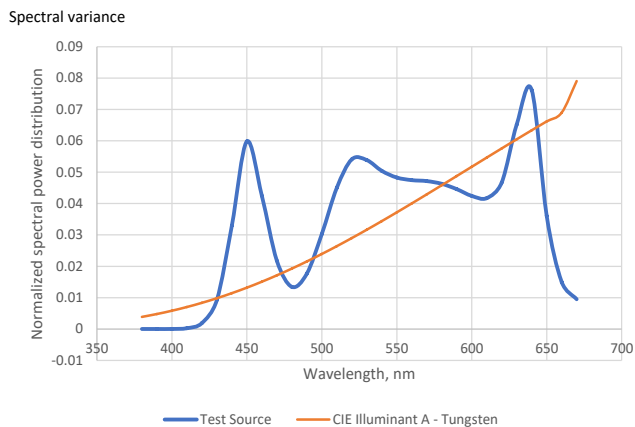
Spectral Power Distribution (SPD)

Dominant Wavelength 577 nm



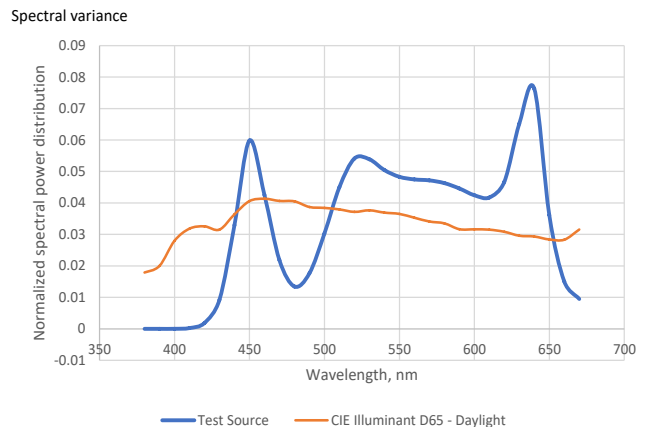
SSI Spectral Variance Graph- Tungsten

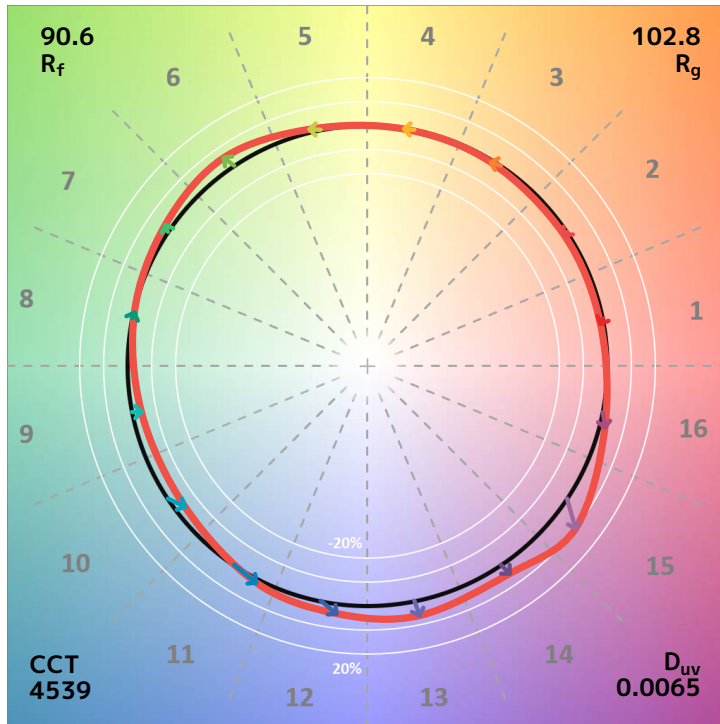
SSI [CIE A] 50



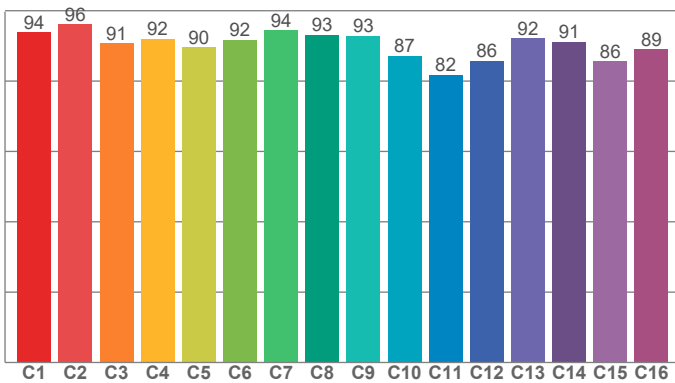
SSI Spectral Variance Graph- Daylight

SSI [CIE D65] 50

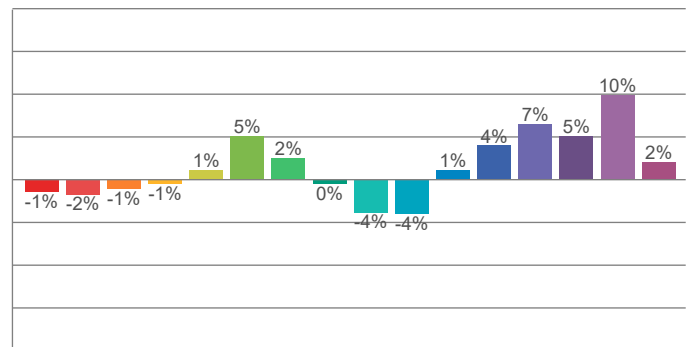




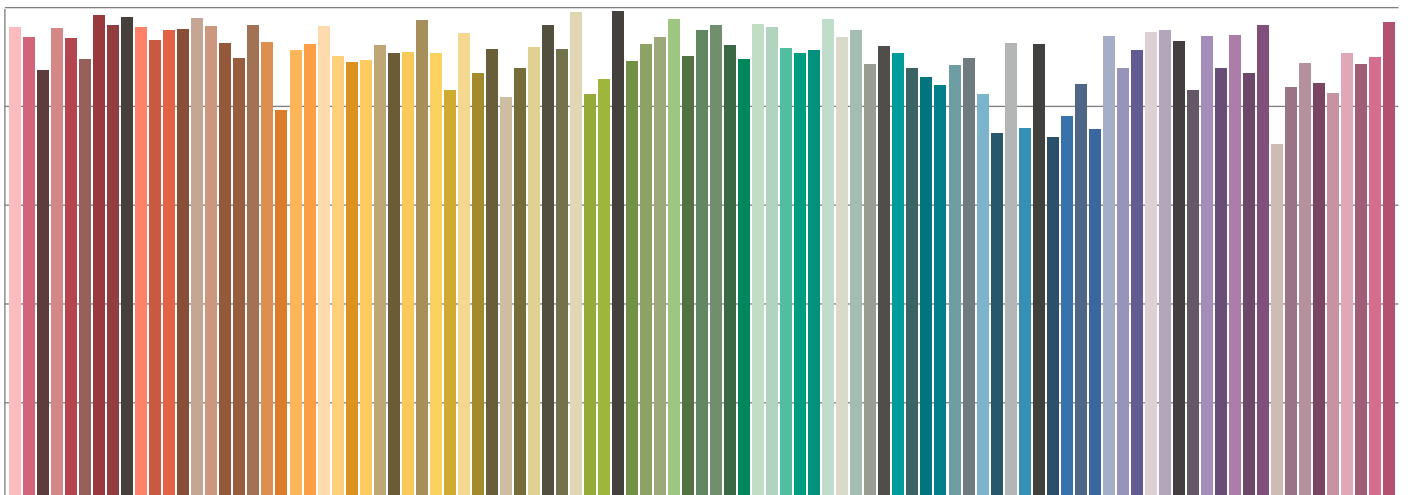
TM30-18 R_f Values per Hue Bin



TM30 Chroma Shift per Hue Bin



TM30-18 R_f Values per Reference Color (CES)

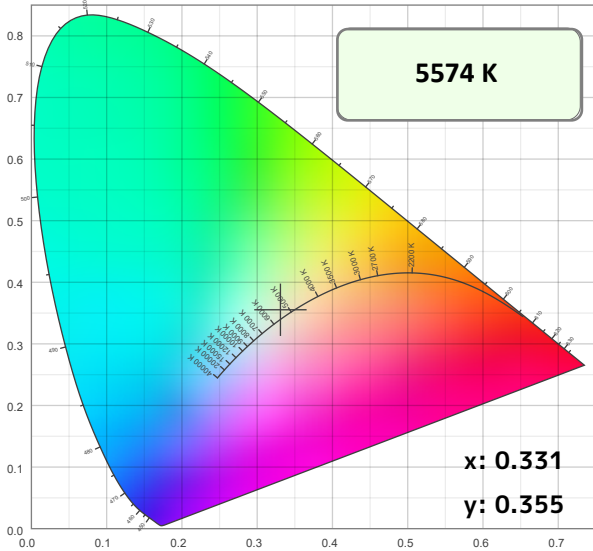


Color Temperature: 5574K

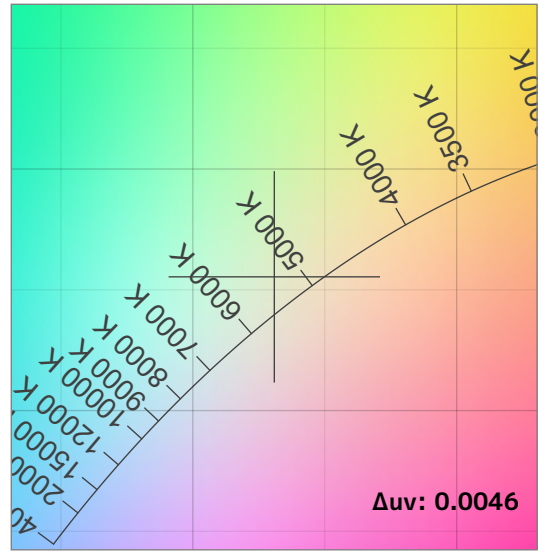
Accuracy Metric Overview

Color Rendering Index	Color Rendering Index, R9 (Red Component)	TM-30 Color Fidelity	TM-30 Color Gamut	Television Lighting Consistency Index	Color Quality Scale	Color Coordinate- CIE 1931	Color Coordinate- CIE 1931	Deviation from Black Body Locus	SSI [CIE A] Tungsten	SSI [CIE D65] Daylight
CRI	CRI R9	TM30 R _f	TM30 R _g	TLCI	CQS	x	Y	Δuv	SSI _t	SSI _d
90.3	88.1	89.5	102.6	91	91.5	0.331	0.355	0.0046	35	55

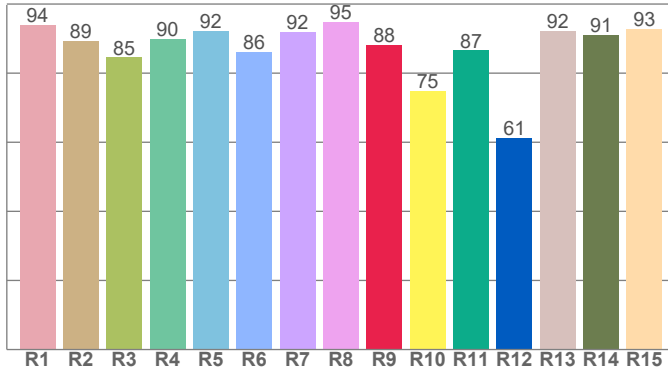
CIE 1931



CIE 1931 ZOOMED

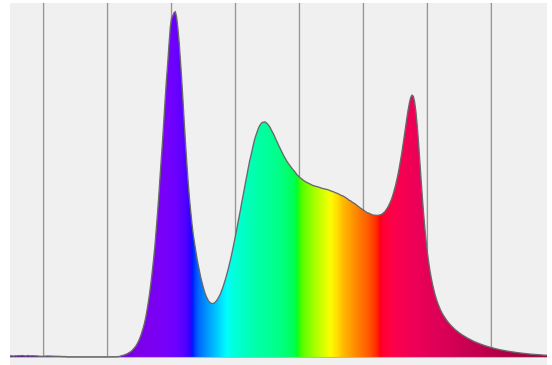


CRI: 90.3 (R1-R8)



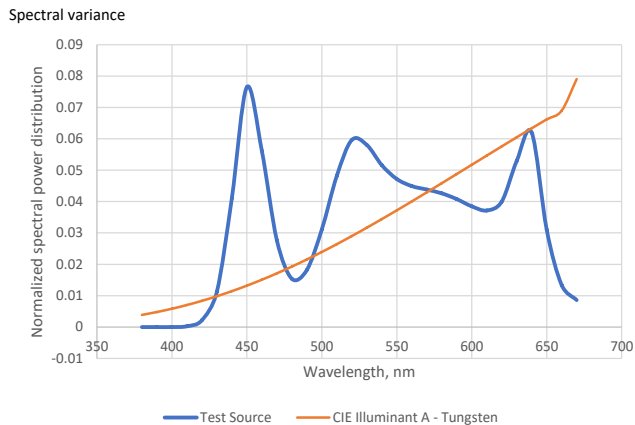
Spectral Power Distribution (SPD)

Dominant Wavelength 572 nm



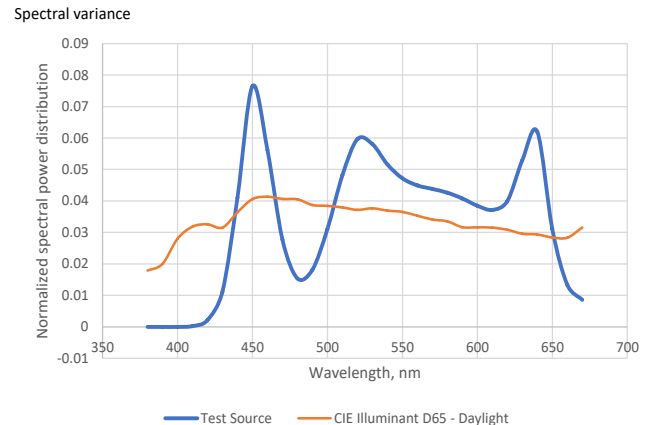
SSI Spectral Variance Graph- Tungsten

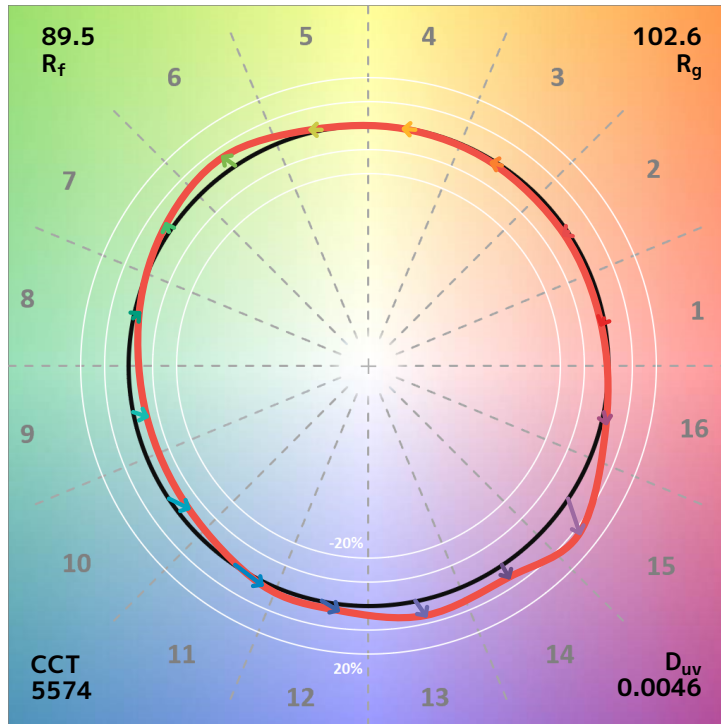
SSI [CIE A] 35



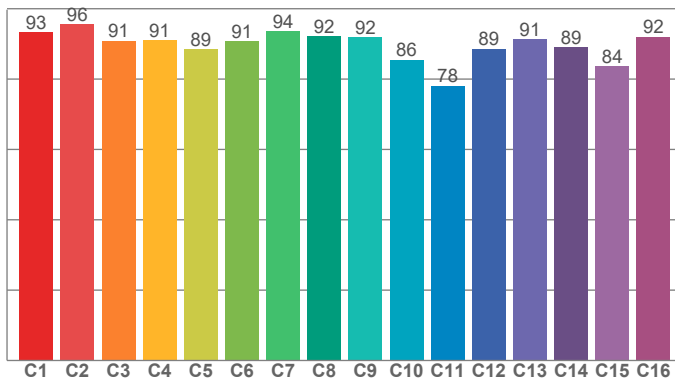
SSI Spectral Variance Graph- Daylight

SSI [CIE D65] 55

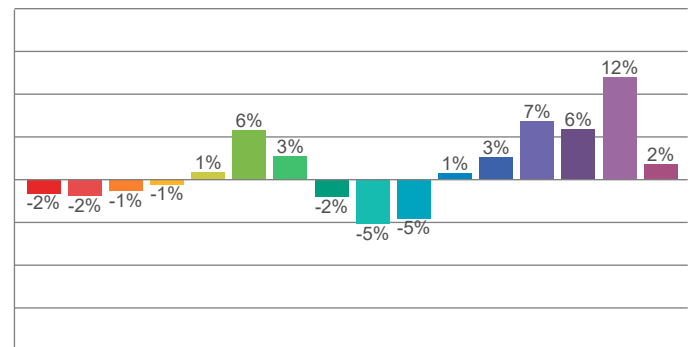




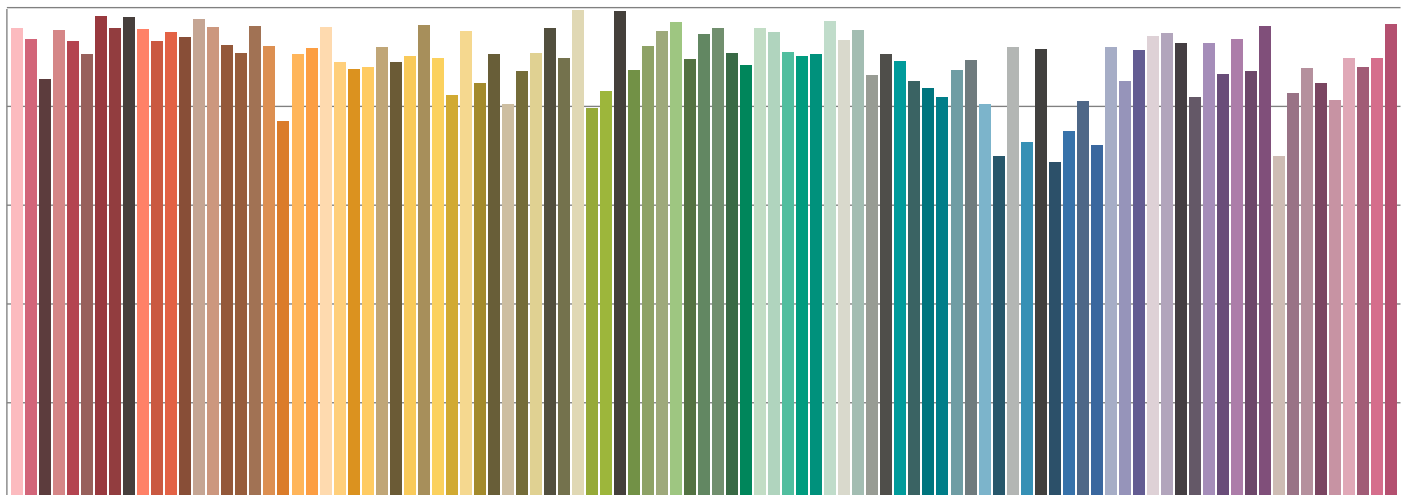
TM30-18 R_f Values per Hue Bin



TM30 Chroma Shift per Hue Bin



TM30-18 R_f Values per Reference Color (CES)

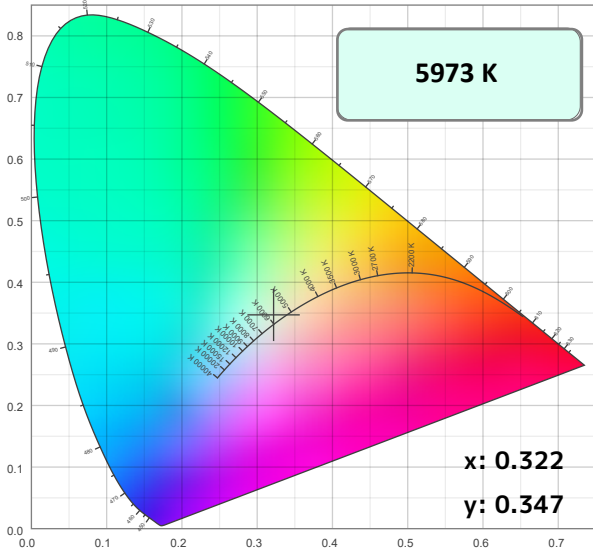


Color Temperature: 5973K

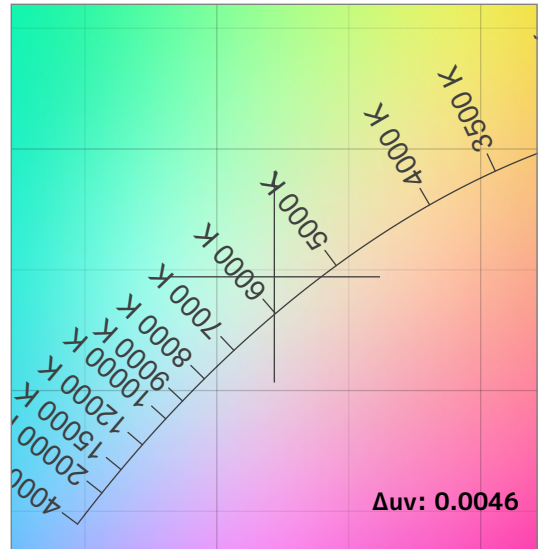
Accuracy Metric Overview

Color Rendering Index	Color Rendering Index, R9 (Red Component)	TM-30 Color Fidelity	TM-30 Color Gamut	Television Lighting Consistency Index	Color Quality Scale	Color Coordinate- CIE 1931	Color Coordinate- CIE 1931	Deviation from Black Body Locus	SSI [CIE A] Tungsten	SSI [CIE D65] Daylight
CRI	CRI R9	TM30 R _f	TM30 R _g	TLCI	CQS	x	Y	Δuv	SSIt	SSId
90.1	86.3	89.1	102.4	91	91.2	0.322	0.347	0.0046	29	55

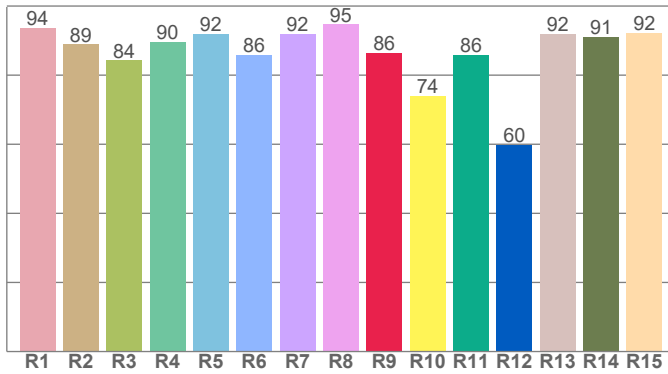
CIE 1931



CIE 1931 ZOOMED

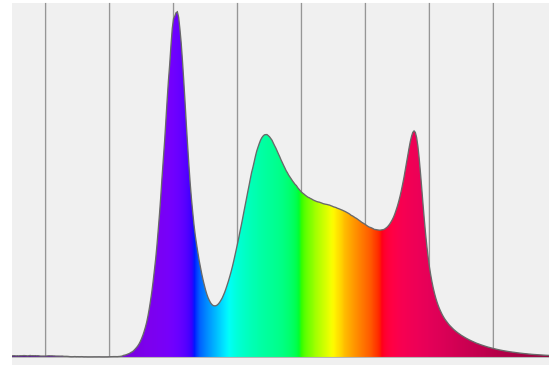


CRI: 90.1 (R1-R8)



Spectral Power Distribution (SPD)

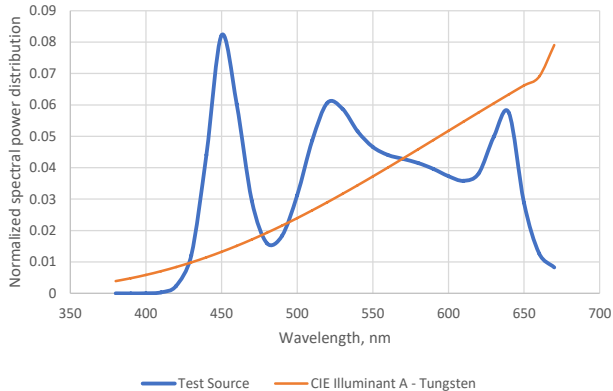
Dominant Wavelength 568 nm



SSI Spectral Variance Graph- Tungsten

SSI [CIE A] 29

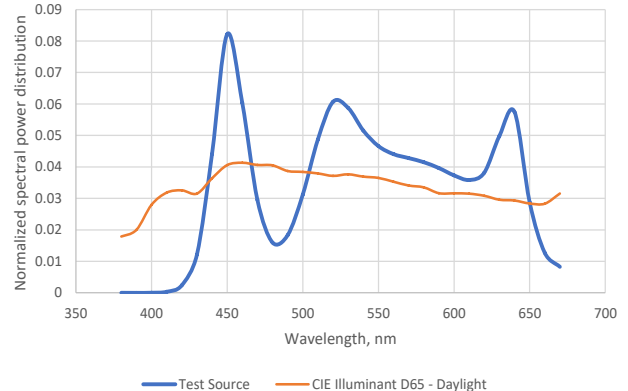
Spectral variance

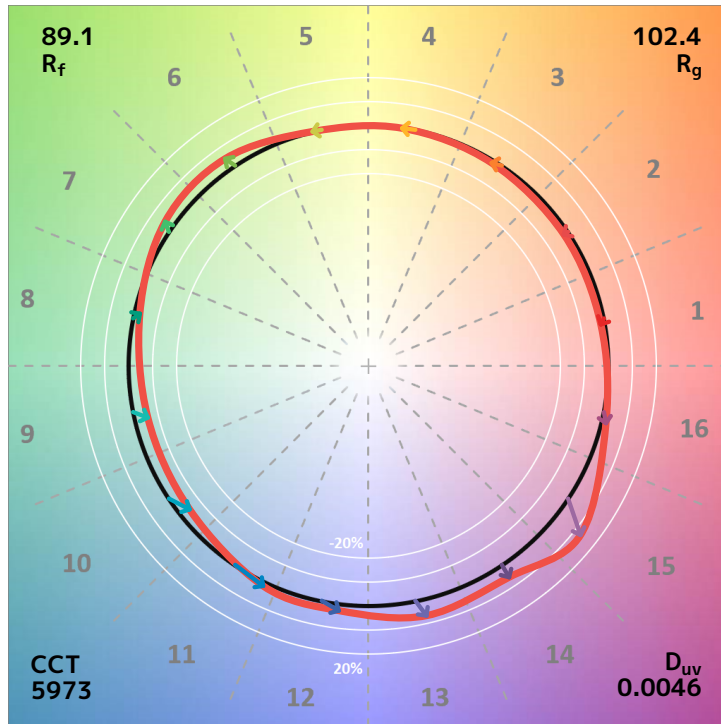


SSI Spectral Variance Graph- Daylight

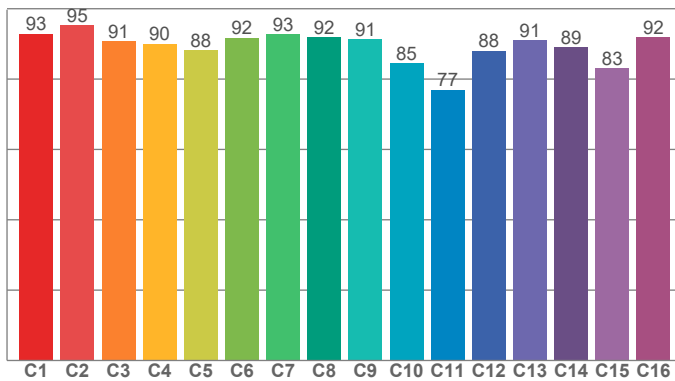
SSI [CIE D65] 55

Spectral variance

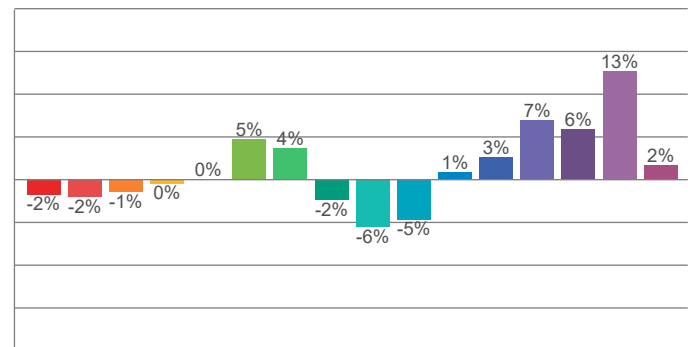




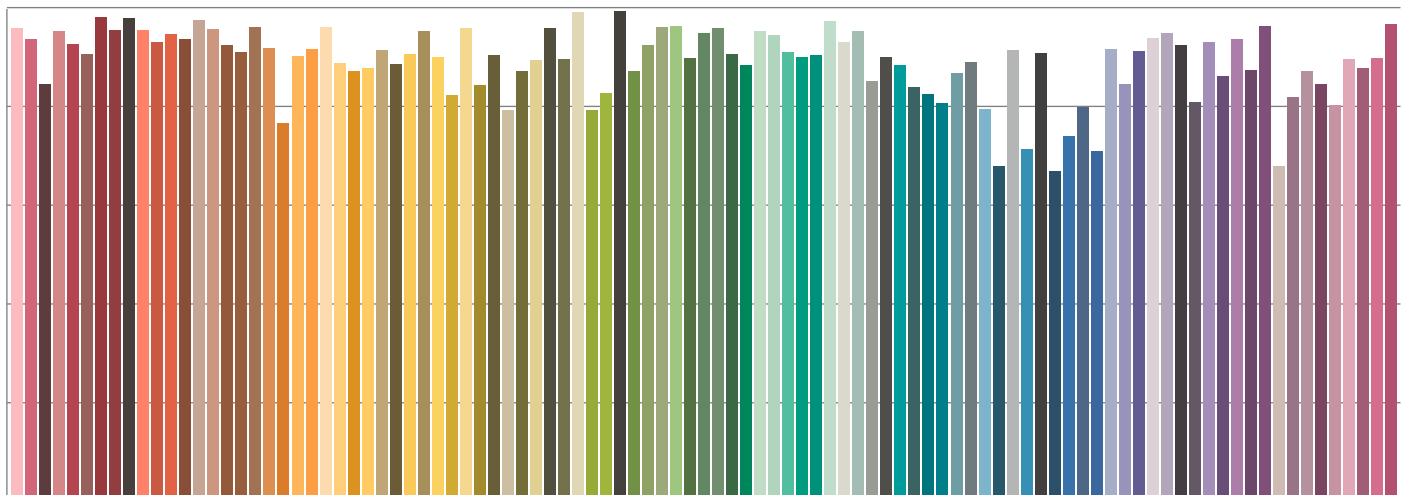
TM30-18 R_f Values per Hue Bin



TM30 Chroma Shift per Hue Bin



TM30-18 R_f Values per Reference Color (CES)

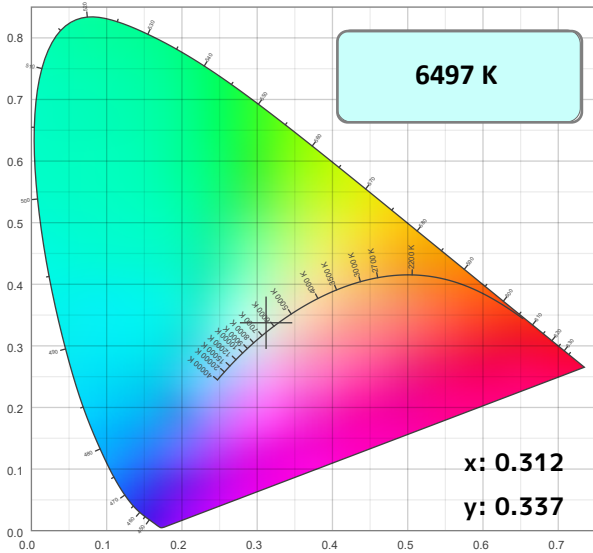


Color Temperature: 6497K

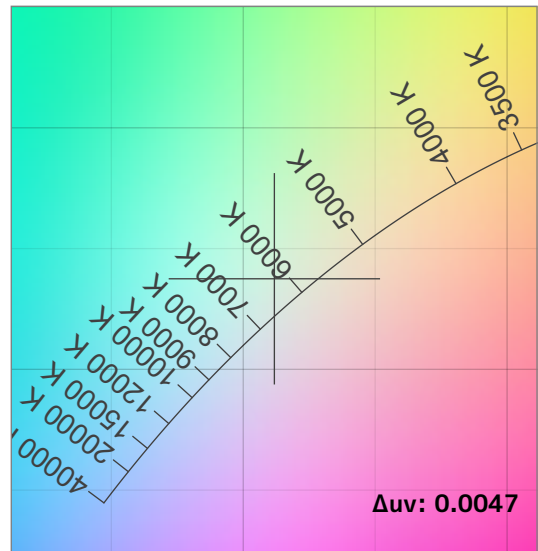
Accuracy Metric Overview

Color Rendering Index	Color Rendering Index, R9 (Red Component)	TM-30 Color Fidelity	TM-30 Color Gamut	Television Lighting Consistency Index	Color Quality Scale	Color Coordinate- CIE 1931	Color Coordinate- CIE 1931	Deviation from Black Body Locus	SSI [CIE A] Tungsten	SSI [CIE D65] Daylight
CRI	CRI R9	TM30 R _f	TM30 R _g	TLCI	CQS	x	Y	Δuv	SSIt	SSId
89.4	82.0	88.4	101.7	91	90.4	0.312	0.337	0.0047	23	55

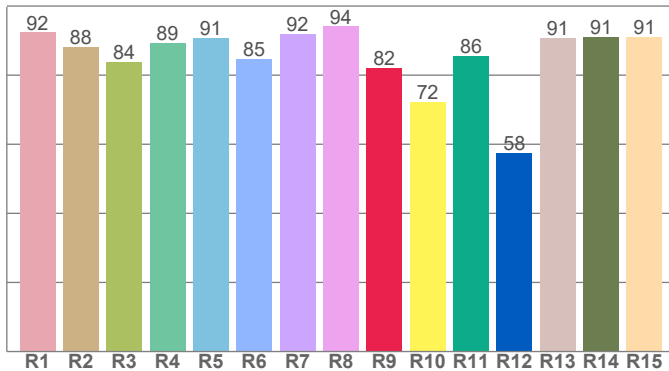
CIE 1931



CIE 1931 ZOOMED

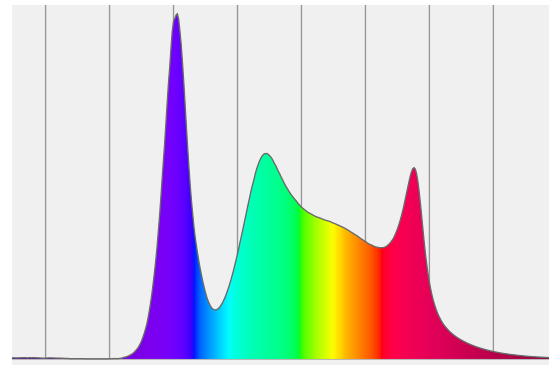


CRI: 89.4 (R1-R8)



Spectral Power Distribution (SPD)

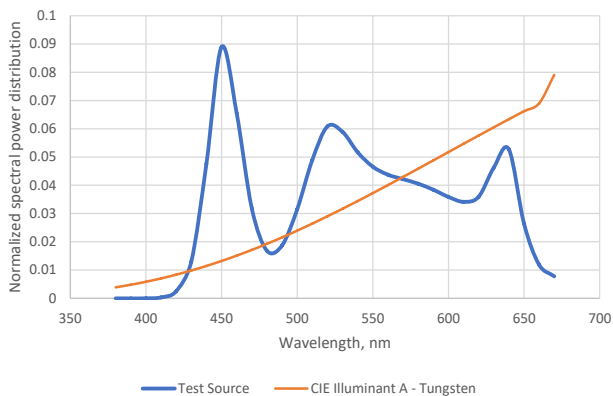
Dominant Wavelength 546 nm



SSI Spectral Variance Graph- Tungsten

SSI [CIE A] 23

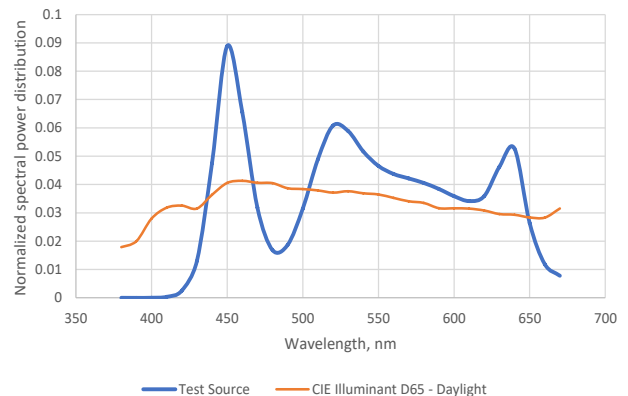
Spectral variance

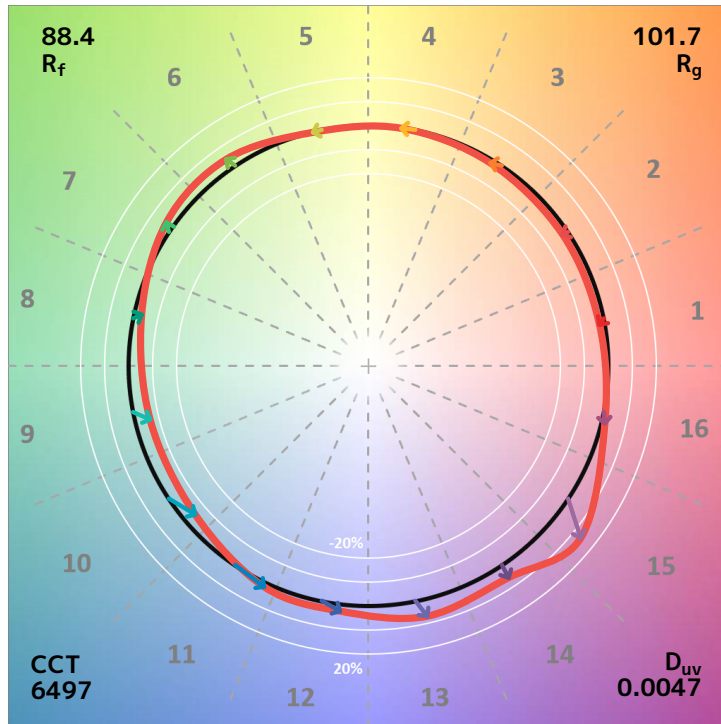


SSI Spectral Variance Graph- Daylight

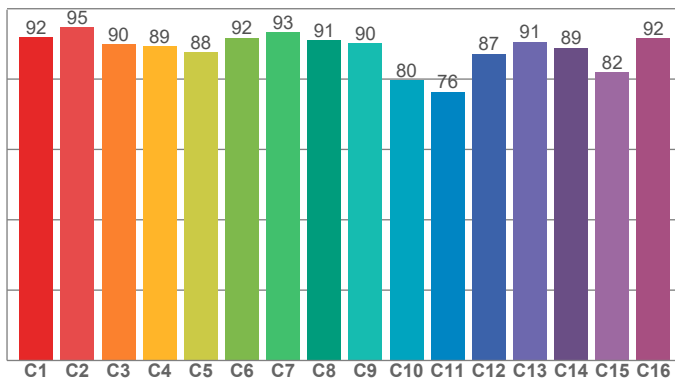
SSI [CIE D65] 55

Spectral variance

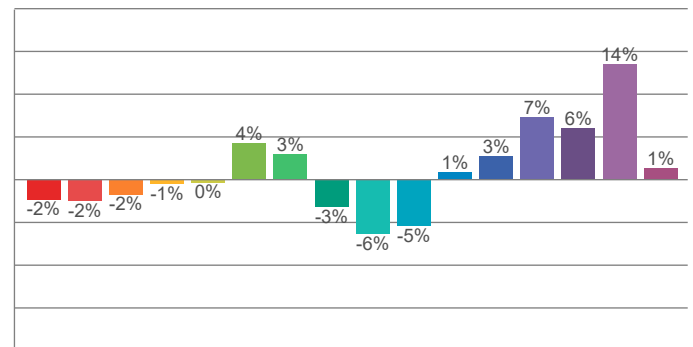




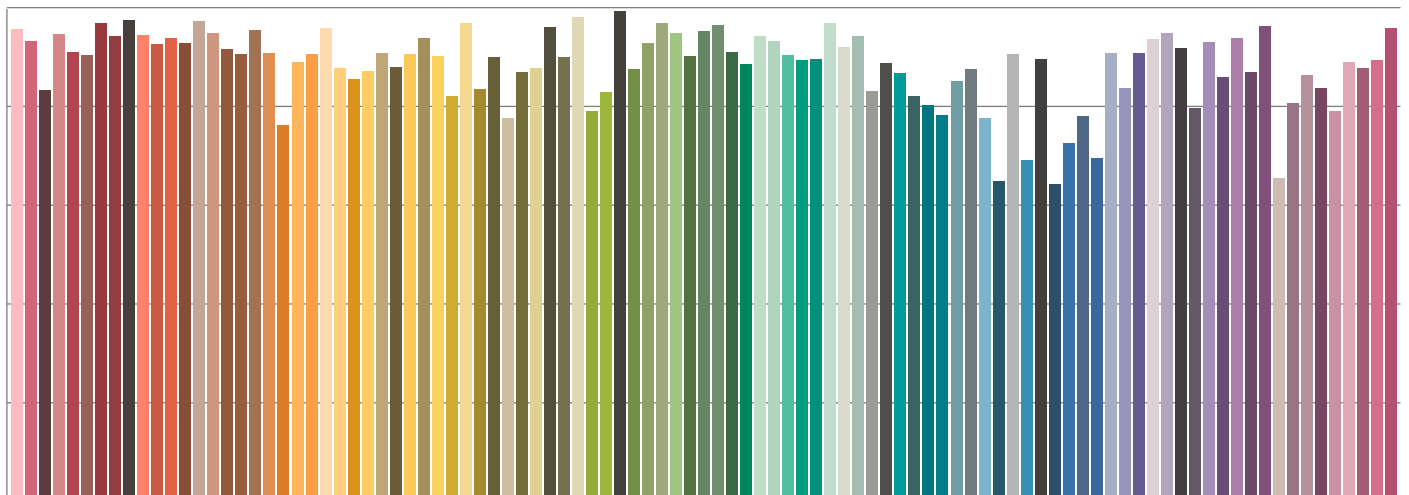
TM30-18 R_f Values per Hue Bin



TM30 Chroma Shift per Hue Bin

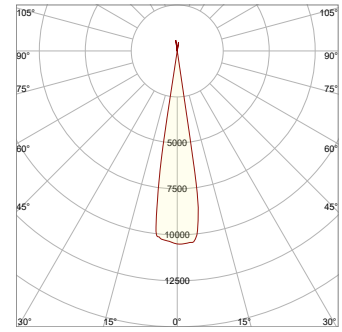
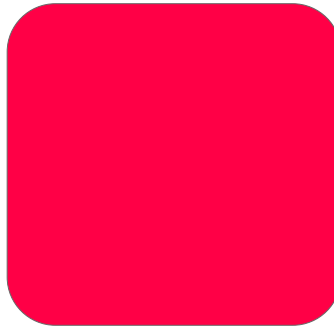


TM30-18 R_f Values per Reference Color (CES)

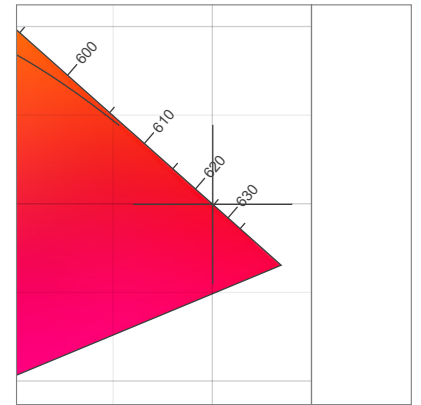
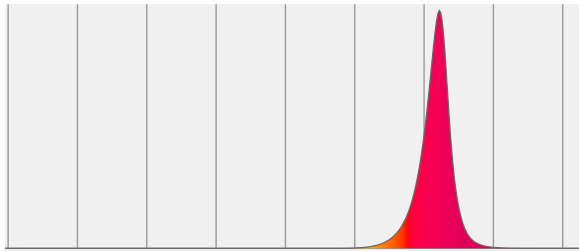


Measurements

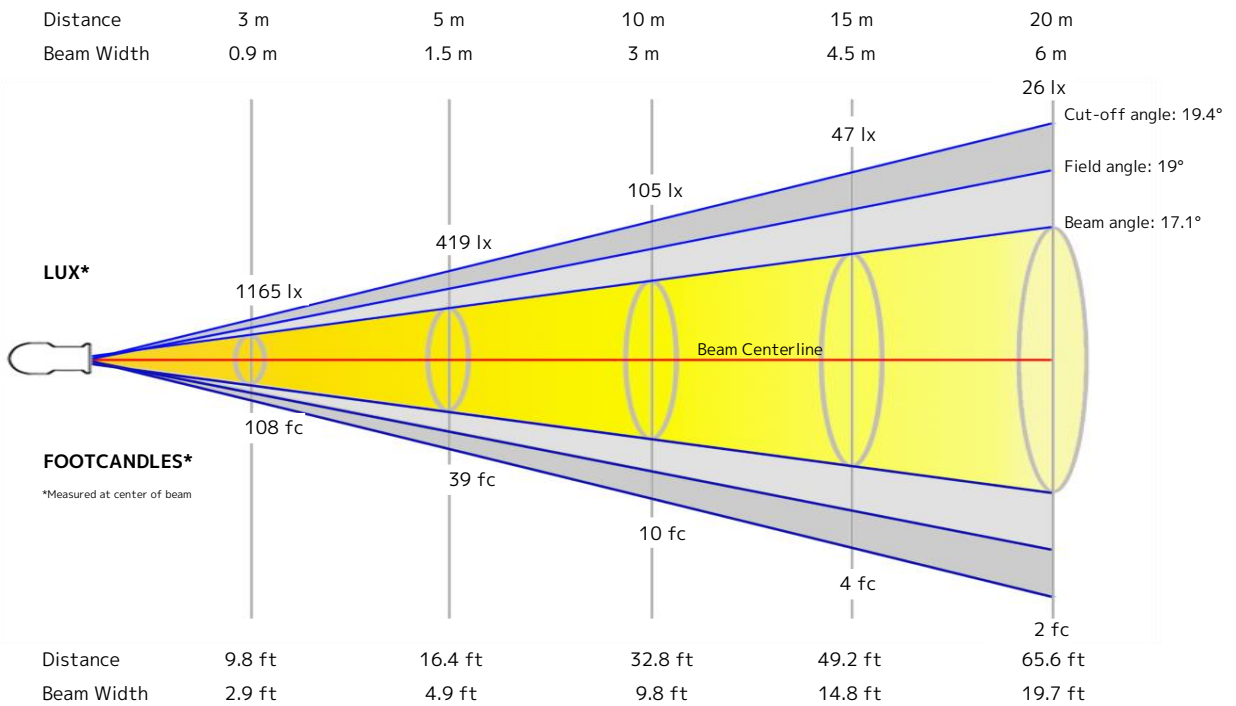
Total Lumen Output: 697 lm
 Peak Intensity: 10501 cd
 Efficacy: 10 Lumen/Watt
 Power: 73.0 W
 Voltage: 118 V, Current: - A



Spectral Power Distribution Dominant Wavelength 625 nm



Dominant Wavelength	Color Coordinate CIE 1931	Color Coordinate CIE1931	Color Coordinate CIE 1964	Color Coordinate CIE 1964
nm	x	y	u	v
625	0.700	0.300	0.539	0.346

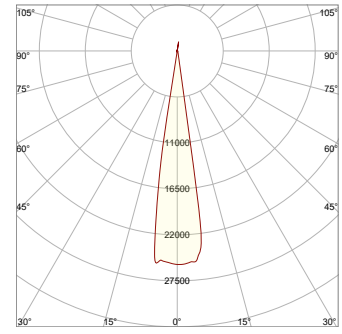
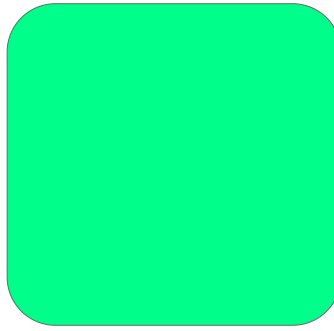


Beam Intensities from 1-20m

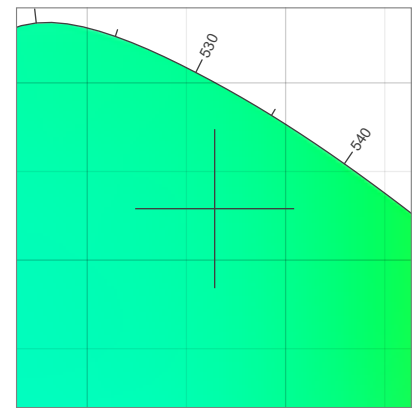
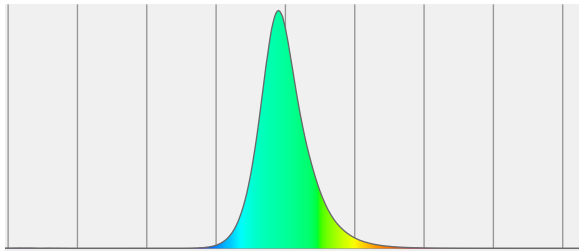
M	1	2	3	4	5	6	7	8	9	10	11	12	13	14	15	16	17	18	19	20
FT	3.3	6.6	9.8	13.1	16.4	19.7	23	26.2	29.5	32.8	36.1	39.4	42.7	45.9	49.2	52.5	55.8	59.1	62.3	65.6
LX	10483	2621	1165	655	419	291	214	164	129	105	87	73	62	53	47	41	36	32	29	26
FC	973.9	243.5	108.2	60.9	39	27.1	19.9	15.2	12	9.7	8	6.8	5.8	5	4.3	3.8	3.4	3	2.7	2.4

Measurements

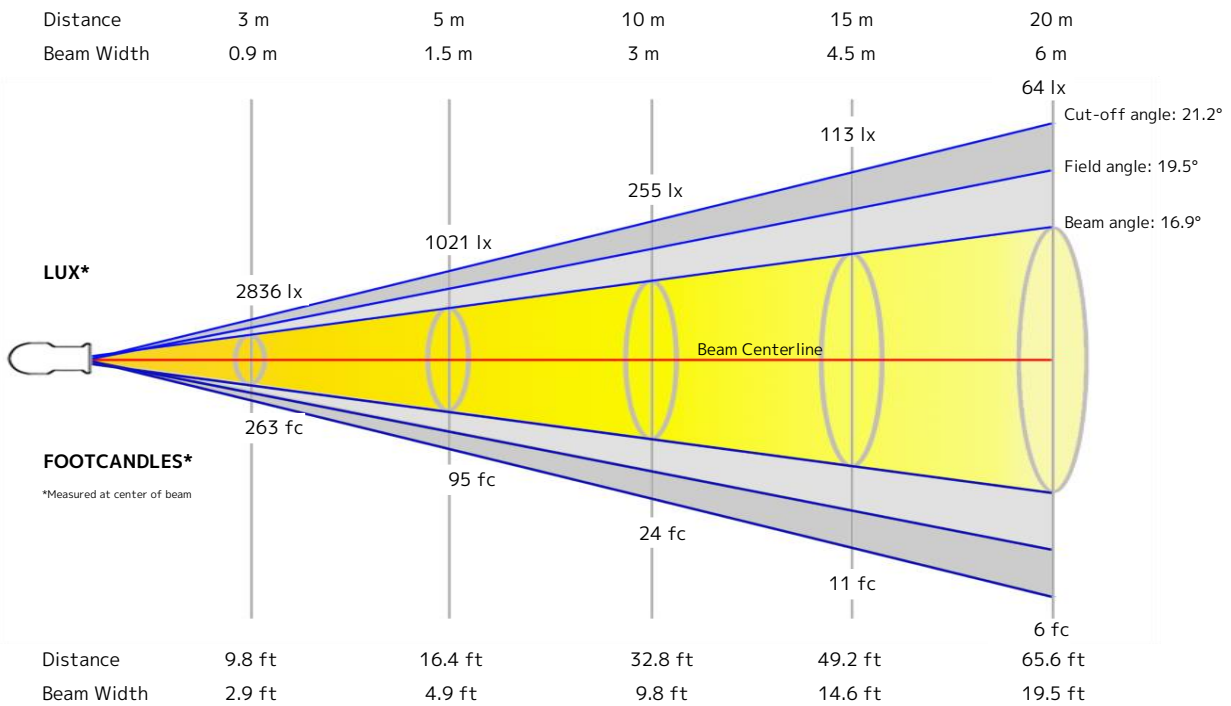
Total Lumen Output: 1722 lm
 Peak Intensity: 25525 cd
 Efficacy: 20 Lumen/Watt
 Power: 88.0 W
 Voltage: 117 V, Current: - A



Spectral Power Distribution Dominant Wavelength 527 nm



Dominant Wavelength	Color Coordinate CIE 1931	Color Coordinate CIE1931	Color Coordinate CIE 1964	Color Coordinate CIE 1964
nm	x	y	u	v
527	0.164	0.729	0.058	0.383

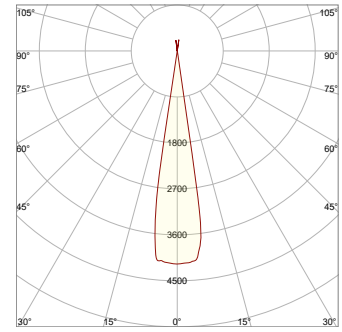
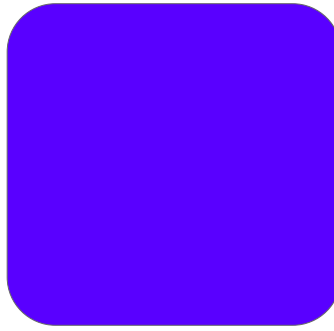


Beam Intensities from 1-20m

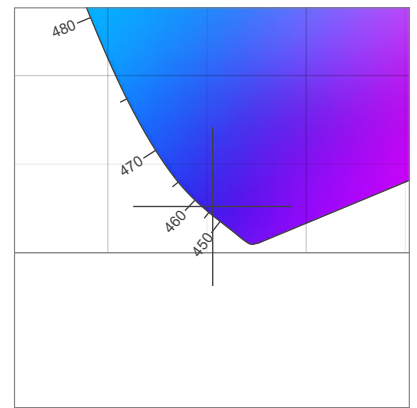
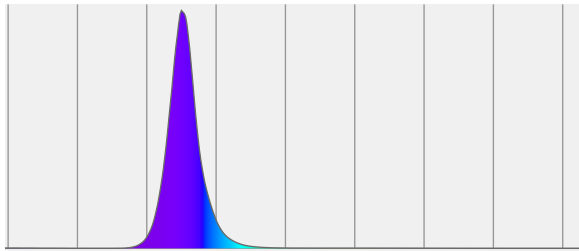
M	1	2	3	4	5	6	7	8	9	10	11	12	13	14	15	16	17	18	19	20
FT	3.3	6.6	9.8	13.1	16.4	19.7	23	26.2	29.5	32.8	36.1	39.4	42.7	45.9	49.2	52.5	55.8	59.1	62.3	65.6
LX	25525	6381	2836	1595	1021	709	521	399	315	255	211	177	151	130	113	100	88	79	71	64
FC	2371.4	592.8	263.5	148.2	94.9	65.9	48.4	37.1	29.3	23.7	19.6	16.5	14	12.1	10.5	9.3	8.2	7.3	6.6	5.9

Measurements

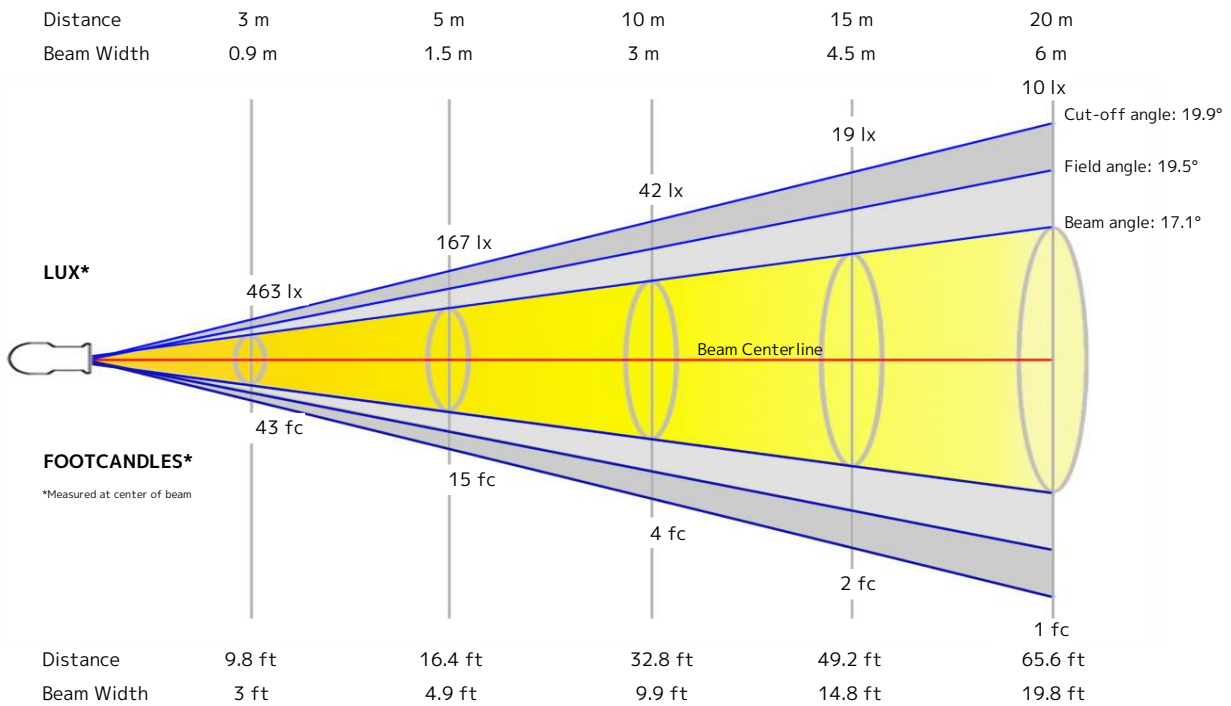
Total Lumen Output: 281 lm
 Peak Intensity: 4169 cd
 Efficacy: 3 Lumen/Watt
 Power: 81.0 W
 Voltage: 118 V, Current: - A



Spectral Power Distribution Dominant Wavelength 455 nm



Dominant Wavelength	Color Coordinate CIE 1931	Color Coordinate CIE1931	Color Coordinate CIE 1964	Color Coordinate CIE 1964
nm	x	y	u	v
455	0.153	0.026	0.203	0.052

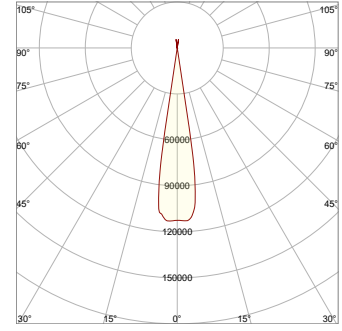
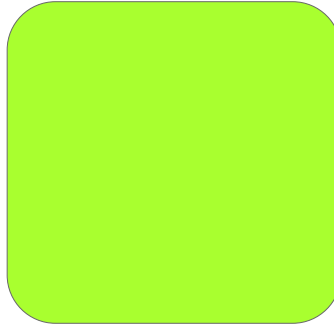


Beam Intensities from 1-20m

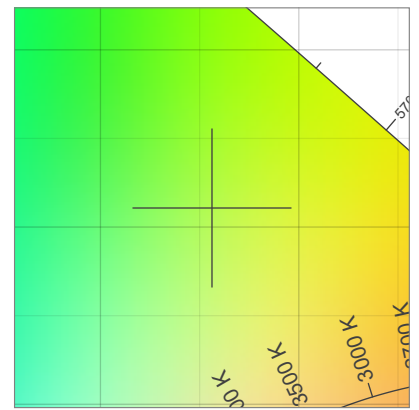
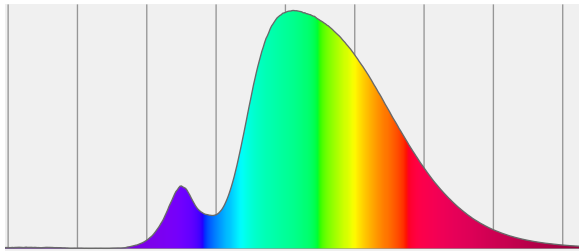
M	1	2	3	4	5	6	7	8	9	10	11	12	13	14	15	16	17	18	19	20
FT	3.3	6.6	9.8	13.1	16.4	19.7	23	26.2	29.5	32.8	36.1	39.4	42.7	45.9	49.2	52.5	55.8	59.1	62.3	65.6
LX	4169	1042	463	261	167	116	85	65	51	42	34	29	25	21	19	16	14	13	12	10
FC	387.3	96.8	43	24.2	15.5	10.8	7.9	6.1	4.8	3.9	3.2	2.7	2.3	2	1.7	1.5	1.3	1.2	1.1	1

Measurements

Total Lumen Output: 7444 lm
 Peak Intensity: 112811 cd
 Efficacy: 43 Lumen/Watt
 Power: 173 W
 Voltage: 118 V, Current: - A

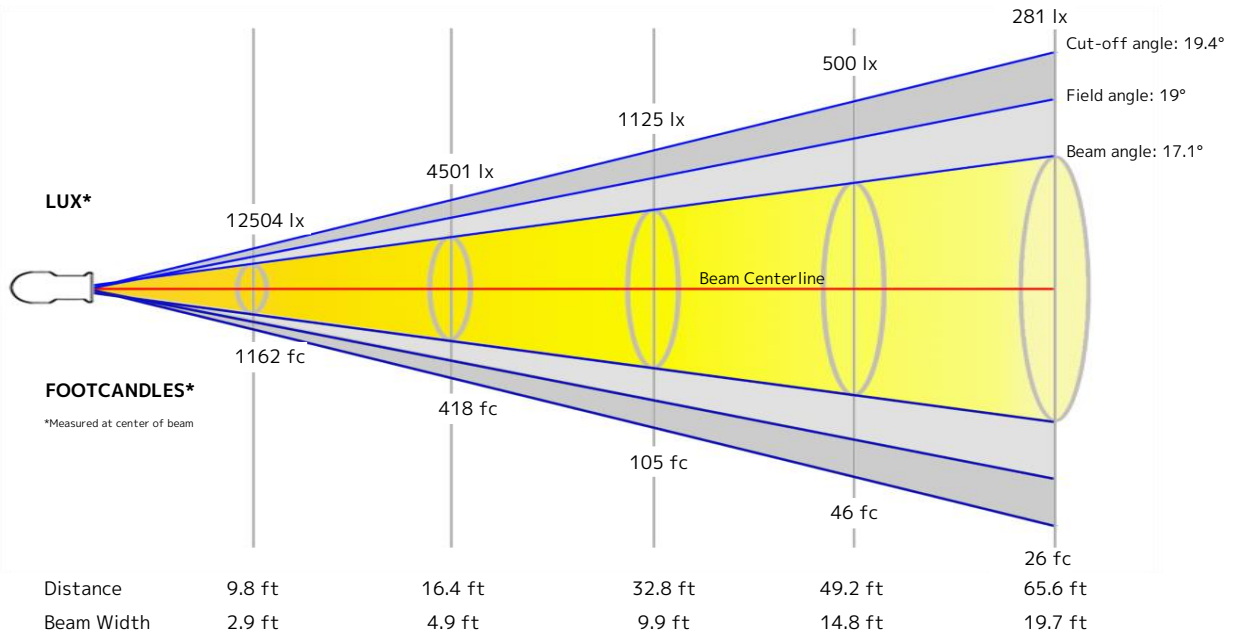


Spectral Power Distribution Dominant Wavelength 561 nm



Dominant Wavelength	Color Coordinate CIE 1931	Color Coordinate CIE1931	Color Coordinate CIE 1964	Color Coordinate CIE 1964
nm	x	y	u	v
561	0.356	0.511	0.169	0.364

Distance	3 m	5 m	10 m	15 m	20 m
Beam Width	0.9 m	1.5 m	3 m	4.5 m	6 m

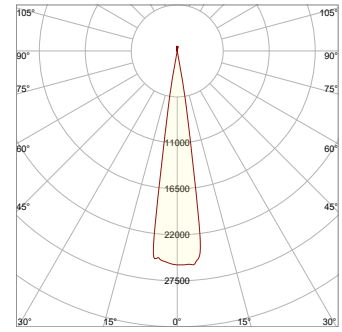
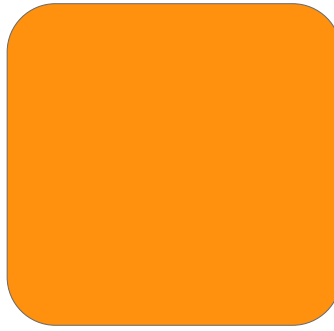


Beam Intensities from 1-20m

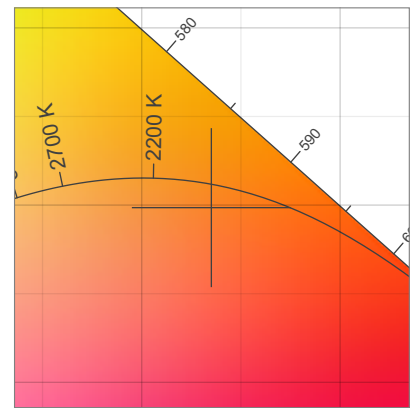
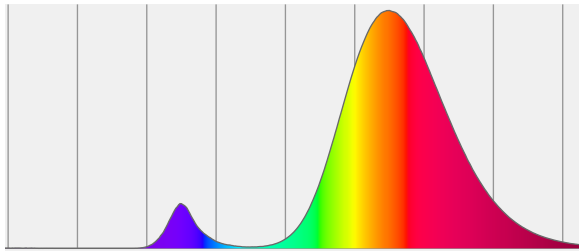
M	1	2	3	4	5	6	7	8	9	10	11	12	13	14	15	16	17	18	19	20
FT	3.3	6.6	9.8	13.1	16.4	19.7	23	26.2	29.5	32.8	36.1	39.4	42.7	45.9	49.2	52.5	55.8	59.1	62.3	65.6
LX	112534	28133	12504	7033	4501	3126	2297	1758	1389	1125	930	781	666	574	500	440	389	347	312	281
FC	10454.7	2613.7	1161.6	653.4	418.2	290.4	213.4	163.4	129.1	104.5	86.4	72.6	61.9	53.3	46.5	40.8	36.2	32.3	29	26.1

Measurements

Total Lumen Output: 1723 lm
 Peak Intensity: 25591 cd
 Efficacy: 16 Lumen/Watt
 Power: 105 W
 Voltage: 118 V, Current: - A

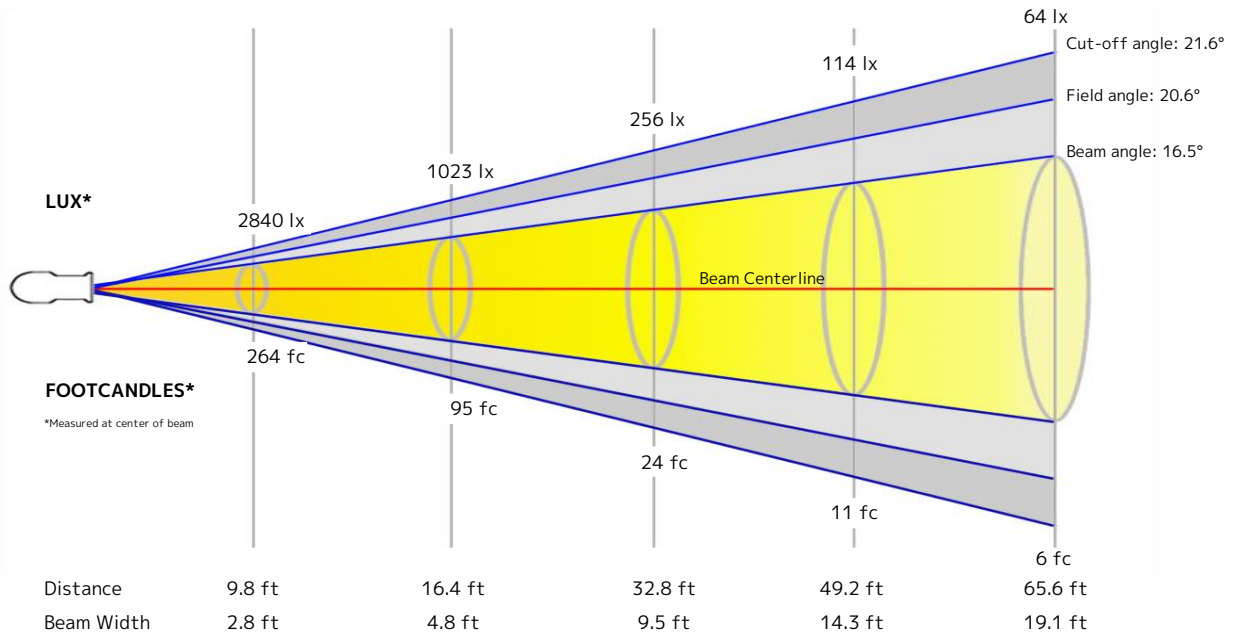


Spectral Power Distribution Dominant Wavelength 592 nm



Dominant Wavelength	Color Coordinate CIE 1931	Color Coordinate CIE1931	Color Coordinate CIE 1964	Color Coordinate CIE 1964
nm	x	y	u	v
592	0.535	0.399	0.319	0.356

Distance	3 m	5 m	10 m	15 m	20 m
Beam Width	0.9 m	1.5 m	2.9 m	4.4 m	5.8 m



Beam Intensities from 1-20m

M	1	2	3	4	5	6	7	8	9	10	11	12	13	14	15	16	17	18	19	20
FT	3.3	6.6	9.8	13.1	16.4	19.7	23	26.2	29.5	32.8	36.1	39.4	42.7	45.9	49.2	52.5	55.8	59.1	62.3	65.6
LX	25563	6391	2840	1598	1023	710	522	399	316	256	211	178	151	130	114	100	88	79	71	64
FC	2374.9	593.7	263.9	148.4	95	66	48.5	37.1	29.3	23.7	19.6	16.5	14.1	12.1	10.6	9.3	8.2	7.3	6.6	5.9